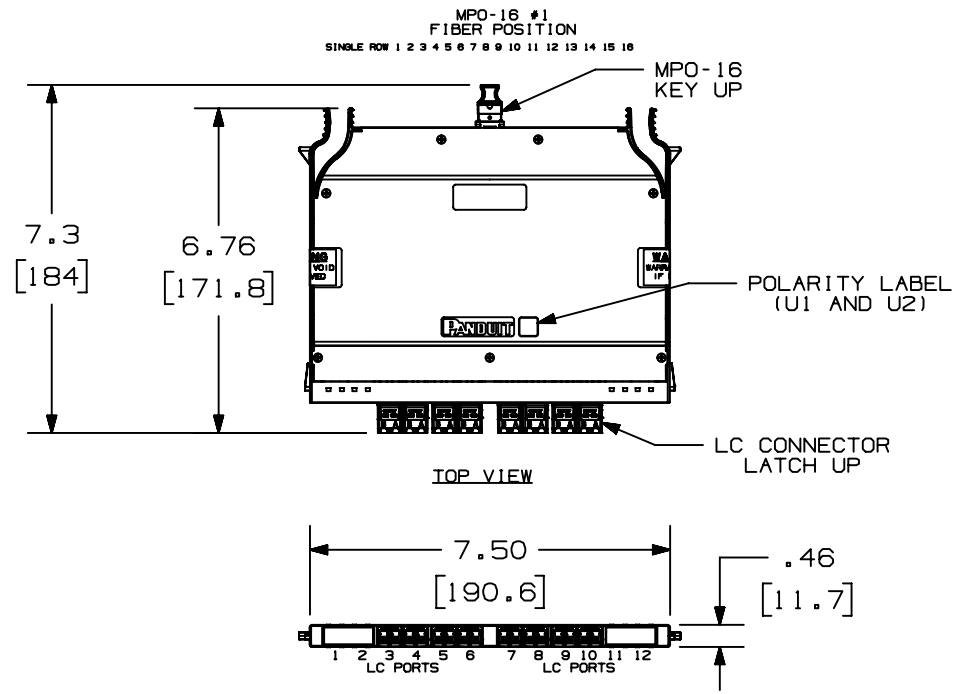
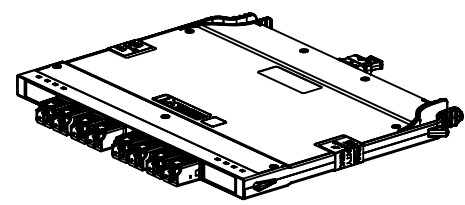


THIS COPY IS PROVIDED ON A RESTRICTED BASIS AND IS NOT TO BE USED IN ANY WAY DETRIMENTAL TO THE INTERESTS OF PANDUIT CORP.



- NOTES:
1. VISIT OUR ON-LINE CATALOG AT WWW.PANDUIT.COM FOR A LIST OF CURRENT PARTS APPLICABLE FOR USE WITH THIS PRODUCT.
 2. DIMENSIONS IN [] ARE METRIC.
 3. ALL MATERIALS AND COMPONENTS USED MEET THE MATERIAL RESTRICTIONS OF RoHS (EUROPEAN DIRECTIVE 2011/65/EU ON THE RESTRICTION OF HAZARDOUS SUBSTANCES) AS PROPOSED BY THE RoHS TECHNICAL ADAPTATION COMMITTEE.
 4. WEIGHT: 6.0oz (170g)
 5. TOLERANCES: xx ± .01 (.25)



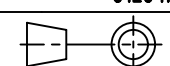
FIBER POSITION FROM LC END TO MPO END																								
METHOD U MPO-16 CASSETTE (U)																								
LC PORT NUMBER	1		2		3		4		5		6		7		8		9		10		11		12	
MPO-16 #1	BLANK	BLANK	B	A	B	A	B	A	B	A	B	A	B	A	B	A	B	A	B	A	BLANK	BLANK		
			1	16	2	15	3	14	4	13	5	12	6	11	7	10	8	9						
METHOD U2 FLIPPED MPO-16 CASSETTE (U2)																								
LC PORT NUMBER	1		2		3		4		5		6		7		8		9		10		11		12	
MPO-16 #1	BLANK	BLANK	B	A	B	A	B	A	B	A	B	A	B	A	B	A	B	A	B	A	BLANK	BLANK		
			16	1	15	2	14	3	13	4	12	5	11	6	10	7	9	8						

PART NUMBER		SEE CHART	
TITLE			
HD FLEX MPO16-LC CASSETTE, UNIVERSAL			
CUSTOMER DRAWING			
ITEM REVISION NAME		01204NAC/01	
DATASET FILE NAME		01204NAC-DC/01A	
		THIRD ANGLE PROJECTION	
MATERIAL		DRAWING NUMBER	
		01204NAC-DC	
REV	DATE	BY	CHK
01	09-26-23	SSP	PJI
DATE	09-26-23	BY	PJI
BY		CHK	
CHK		SCALE	NONE
APR			
DESCRIPTION		SHEET 1 OF 2	
ECN		A	
V09002UC/03			

A-SIZE CUSTOMER

THIS COPY IS PROVIDED ON A RESTRICTED BASIS AND IS NOT TO BE USED IN ANY WAY DETRIMENTAL TO THE INTERESTS OF PANDUIT CORP.

CASSETTE PART NUMBER	DESCRIPTION
FHC3Z0-16M-10U	OM4 HD FLEX CASSETTE; 8-PORT DUPLEX LC TO (1) MPO16; OPTIMIZED LOSS; MALE MPO16; U CONNECTIVITY
FHC3Z0-16M-10U2	OM4 HD FLEX CASSETTE; 8-PORT DUPLEX LC TO (1) MPO16; OPTIMIZED LOSS; MALE MPO16; U2 CONNECTIVITY
FHC3S0-16M-10U	OM4+ HD FLEX CASSETTE; 8-PORT DUPLEX LC TO (1) MPO16; OPTIMIZED LOSS; MALE MPO16; U CONNECTIVITY
FHC3S0-16M-10U2	OM4+ HD FLEX CASSETTE; 8-PORT DUPLEX LC TO (1) MPO16; OPTIMIZED LOSS; MALE MPO16; U2 CONNECTIVITY
FHC39N-16M-10U	OS2 HD FLEX CASSETTE; 8-PORT DUPLEX LC TO (1) MPO16; STANDARD LOSS; MALE MPO16; U CONNECTIVITY
FHC39N-16M-10U2	OS2 HD FLEX CASSETTE; 8-PORT DUPLEX LC TO (1) MPO16; STANDARD LOSS; MALE MPO16; U2 CONNECTIVITY
FHC3W0-16M-10U	OM5 HD FLEX CASSETTE; 8-PORT DUPLEX LC TO (1) MPO16; OPTIMIZED LOSS; MALE MPO16; U CONNECTIVITY
FHC3W0-16M-10U2	OM5 HD FLEX CASSETTE; 8-PORT DUPLEX LC TO (1) MPO16; OPTIMIZED LOSS; MALE MPO16; U2 CONNECTIVITY

PART NUMBER		SEE CHART	
TITLE			
HD FLEX MPO16-LC CASSETTE, UNIVERSAL			
CUSTOMER DRAWING			
ITEM REVISION NAME		01204NAC/01	
DATASET FILE NAME		01204NAC-DC/01A	
		THIRD ANGLE PROJECTION	
MATERIAL		DRAWING NUMBER	
		01204NAC-DC	
DRAWN BY	DATE	CHK	SCALE
SSP	09-26-23	PJI	NONE
REV		SHEET 2 OF 2	
DATE		A	

A-SIZE CUSTOMER

REV	DATE	BY	CHK	APR	DESCRIPTION	ECN
01	09-26-23	SSP	PJI	EJH	SEE SHEET 1 FOR REVISIONS	V09002UC/03