

# AV In-Wall Boxes

## specifications

AV In-wall boxes are steel storage boxes that are intended to be mounted behind monitors or screens to house active equipment and manage cables in a variety of settings. A full grid pattern maximizes equipment and cable management configurations. A standard outlet knockout and bezel for passing cables shall be available. In wall box finish shall be pure color and will resist scratches and dents and will not corrode. The AV in wall box shall be available in two standard sizes system and shall be optimized for use with the Panduit Audio Video system.



CMBBLWH



CMBBSWH

## technical information

<b>Material:</b>	Steel
<b>Mounting:</b>	Mounts between standard 16-inch wood or metal studs (screws not included)
<b>Small Size Included Parts:</b>	2 push mount cable ties, cable bezel
<b>Large Size Included Parts:</b>	4 push mount cable ties, cable bezel
<b>Grid Pattern:</b>	full 1-inch grid pattern
<b>Depth:</b>	3.4 inches

## key features and benefits

<b>Equipment Storage</b>	The in-wall box is an ideal size for storage of HDBaseT receivers, AV over IP decoders, media boxes, and cable boxes
<b>1" grid pattern</b>	Full grid pattern for unlimited configurations for cables and equipment
<b>Cable Management</b>	Included push mount cable ties help organize and store multiple cable types
<b>Power knockout</b>	Standard outlet knockout
<b>Easy to mount</b>	Installs easily between any standard metal or wooden studs and can be mounted with bezel and power knockout either facing up or down

## applications

The AV in-wall box is a storage and cable management solution that is intended to be mounted behind a television monitor or projection screen. The in-wall box can be used in any application requiring storage or power placement for active components. It is ideal for digital signage, conference rooms, classrooms, and any application with a monitor. With two sizes available, the in-wall box can fit behind a variety of screens and monitors.

### AV In-Wall Boxes

**Small Size:** CMBBSWH

**Large Size:** CMBBLWH

### Accessories (sold separately)

**D Ring Cable Manager:** CMBBCMR

**Equipment Bracket:** CMBBRKT

### Outlets\*:

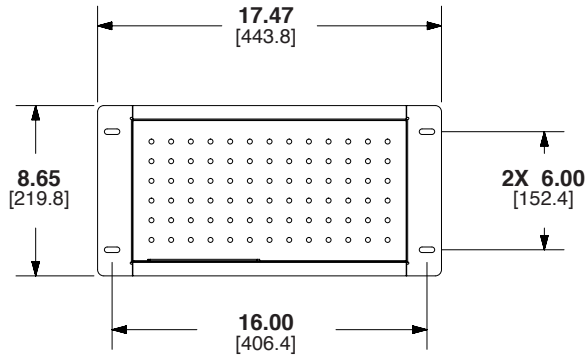
**Rectangular Outlet:** ERU20WH

**106 Style Outlet:** CDU20WH

\*additional colors available, please see Panduit.com

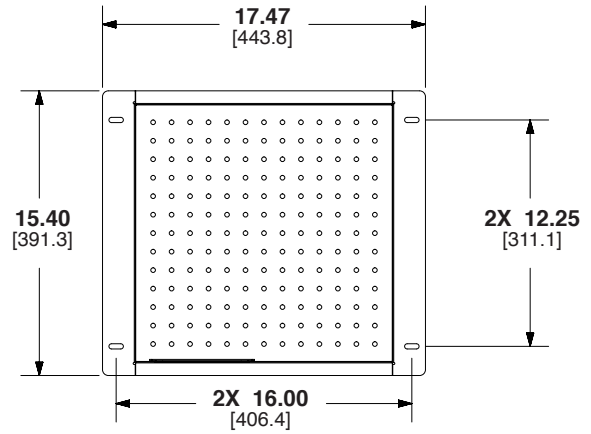
# AV In-Wall Boxes

## AV In-Wall Box-Small



**CMBBSWH**

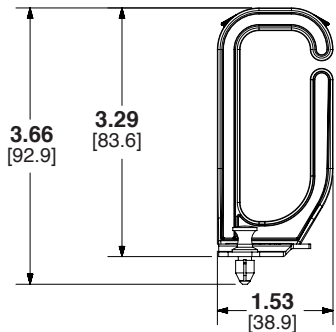
## AV In-Wall Box-Large



**CMBBLWH**

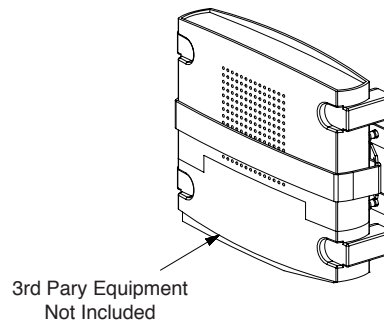
Optional:

## D Ring Cable Manager



**CMBBCMR**

## Equipment Bracket



**CMBBRKT**

Dimensions are in inches (Dimensions in parenthesis are metric)

### WORLDWIDE SUBSIDIARIES AND SALES OFFICES

PANDUIT US/CANADA  
Phone: 800.777.3300

PANDUIT EUROPE LTD.  
London, UK  
cs-emea@panduit.com  
Phone: 44.20.8601.7200

PANDUIT SINGAPORE PTE. LTD.  
Republic of Singapore  
cs-ap@panduit.com  
Phone: 65.6305.7575

PANDUIT JAPAN  
Tokyo, Japan  
cs-japan@panduit.com  
Phone: 81.3.6863.6000

PANDUIT LATIN AMERICA  
Guadalajara, Mexico  
cs-la@panduit.com  
Phone: 52.33.3777.6000

PANDUIT AUSTRALIA PTY. LTD.  
Victoria, Australia  
cs-aus@panduit.com  
Phone: 61.3.9794.9020

For a copy of Panduit product warranties, log on to [www.panduit.com/warranty](http://www.panduit.com/warranty)

For more information

Visit us at [www.panduit.com](http://www.panduit.com)

Contact Customer Service by email: [cs@panduit.com](mailto:cs@panduit.com)  
or by phone: 800.777.3300

**PANDUIT**<sup>®</sup>

©2018 Panduit Corp.  
ALL RIGHTS RESERVED.  
**OTSP58--SA-ENG**  
6/2018