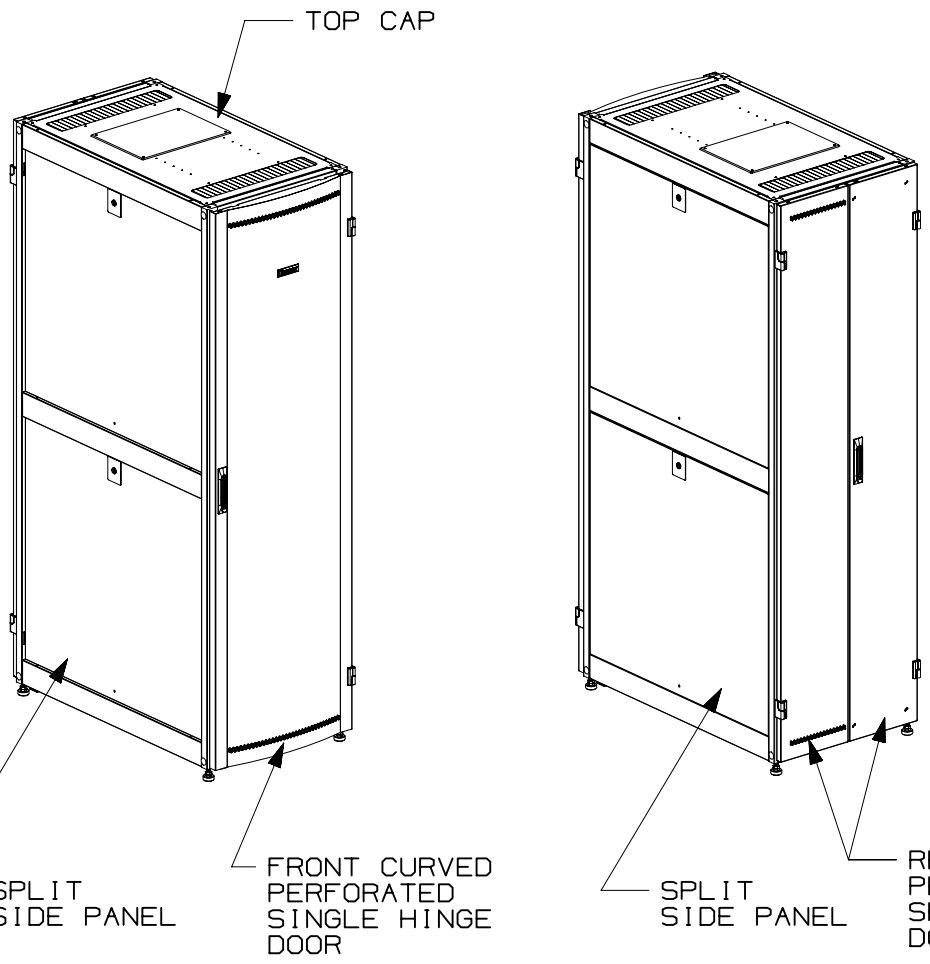


THIS COPY IS PROVIDED ON A RESTRICTED BASIS AND IS NOT TO BE USED IN ANY WAY DETRIMENTAL TO THE INTERESTS OF PANDUIT CORP.



1. VISIT OUR ON-LINE CATALOG AT WWW.PANDUIT.COM FOR A LIST OF CURRENT PARTS APPLICABLE FOR USE WITH THIS PRODUCT.
2. PRIMARY DIMENSIONS ARE IN MILLIMETERS.
3. EQUIPMENT RAILS (E-RAILS) ARE SET TO 738.1mm FROM THE FACTORY. E-RAILS ARE INFINITELY ADJUSTABLE, FROM A MINIMUM OF 127.5mm APART, TO A MAXIMUM FOUND IN THE CHART ON SHEET 2.
4. CAN BE USED WITH ANY 19" EIA STANDARD COMPONENT IN ADDITION TO ALL PANDUIT HORIZONTAL CABLE MANAGEMENT AND PATCH PANEL PRODUCTS.
5. EIA UNIVERSAL STANDARD HOLE PROGRESSION ON EQUIPMENT RAILS
15.88mm [.625in], 15.88mm [.625in], 12.70mm [.5in], 15.88mm [.625in], 15.88mm [.625in], 12.7mm [.5in]...ETC.
6. PARTS SUPPLIED:
 - BASE CABINET
 - FRONT CURVED PERFORATED SINGLE HINGE DOOR, 69% OPEN AREA
 - REAR PERFORATED SPLIT DOOR, 69% OPEN AREA
 - EQUIPMENT RAILS FRONT & REAR (E-RAILS) (SEE CHART ON SHEET 2)
 - CABLE MANAGEMENT BRACKETS (CMB)
 - SWIVEL CASTERS
 - HARDWARE KIT CONTAINING:
 - (40) M6 CAGE NUTS
 - (40) M6 PHILIPS HEAD SCREWS
 - (4) GANGING BRACKETS
 - (8) M5 TORX (T25) THREAD CUTTING SCREWS
 - (4) RINGS OF CABINET LOCK KEYS WITH (2) KEYS PER RING.
 - LEVELING LEGS
 - INSTRUCTION SHEET
7. RACK UNIT SPACING NUMERALS ARE CLEARLY PRINTED ON EQUIPMENT MOUNTING RAILS.
8. FULLY BONDED STRUCTURE WHEN ASSEMBLED PER INSTRUCTIONS.
9. STATIC LOAD RATING 1500 Kg (3300 LBS)
10. ROLLING LOAD RATING 500 Kg (1102 LBS)
11. ALL CABINET RAILS ARE INSTALLED NUMBERS UP.

B

B

A

A

TITLE		NET-VERSE D-TYPE ENHANCED CABINET		
		600 WIDE X 42/45/48RU X 1000mm/1200mm DEEP		
		(DAE6****)		
		CUSTOMER DRAWING		
ITEM REVISION NAME		00568EAC/00		
DATASET FILE NAME		00568EAC_DC/00A		
MATERIAL:		N/A		
DRAWING NUMBER:		00568EAC-DC		
DRAWN BY		DATE	CHK	SCALE
MES		12-4-19	PATR	NONE
THIRD ANGLE PROJECTION				
SHT 1 OF 7		A		


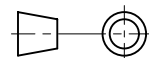
00A	12-4-19	MES	PATR	SJP	RELEASED TO PRODUCTION	V09002DP
REV	DATE	BY	CHK	APR	DESCRIPTION	ECN

D10100DA/16

THIS COPY IS PROVIDED ON A RESTRICTED BASIS AND IS NOT TO BE USED IN ANY WAY DETRIMENTAL TO THE INTERESTS OF PANDUIT CORP.

PART NO.	DESCRIPTION	FRAME HEIGHT	FRAME DEPTH	E-RAIL MAXIMUM SPACING	SIDE PANELS	CABINET WEIGHT FULLY UNPACKAGED	CABINET WEIGHT SHIPPING WEIGHT
DAE6219*	NET-VERSE D-TYPE CABINET 600mm WIDE X 42RU X 1000mm DEEP	1998.0 (78.66)	1000.0 (39.37)	738 (29.1) WITH CMB 871 (34.3) WITHOUT CMB	00	82 Kg/EACH 180 LBS/EACH	99 Kg/EACH 218 LBS/EACH
DAE6212*	NET-VERSE D-TYPE CABINET 600mm WIDE X 42RU X 1000mm DEEP	1998.0 (78.66)	1000.0 (39.37)	738 (29.1) WITH CMB 871 (34.3) WITHOUT CMB	04	121 Kg/EACH 266 LBS/EACH	138 Kg/EACH 304 LBS/EACH
DAE6229*	NET-VERSE D-TYPE CABINET 600mm WIDE X 42RU X 1200mm DEEP	1998.0 (78.66)	1200.0 (47.24)	938 (36.9) WITH CMB 1071 (42.2) WITHOUT CMB	00	86 Kg/EACH 190 LBS/EACH	106 Kg/EACH 234 LBS/EACH
DAE6222*	NET-VERSE D-TYPE CABINET 600mm WIDE X 42RU X 1200mm DEEP	1998.0 (78.66)	1200.0 (47.24)	938 (36.9) WITH CMB 1071 (42.2) WITHOUT CMB	04	131 Kg/EACH 289 LBS/EACH	151 Kg/EACH 333 LBS/EACH
DAE6519*	NET-VERSE D-TYPE CABINET 600mm WIDE X 45RU X 1000mm DEEP	2131.4 (83.91)	1000.0 (39.37)	738 (29.1) WITH CMB 871 (34.3) WITHOUT CMB	00	85 Kg/EACH 188 LBS/EACH	103 Kg/EACH 227 LBS/EACH
DAE6512*	NET-VERSE D-TYPE CABINET 600mm WIDE X 45RU X 1000mm DEEP	2131.4 (83.91)	1000.0 (39.37)	738 (29.1) WITH CMB 871 (34.3) WITHOUT CMB	04	125 Kg/EACH 275 LBS/EACH	142 Kg/EACH 314 LBS/EACH
DAE6529*	NET-VERSE D-TYPE CABINET 600mm WIDE X 45RU X 1200mm DEEP	2131.4 (83.91)	1200.0 (47.24)	938 (36.9) WITH CMB 1071 (42.2) WITHOUT CMB	00	89 Kg/EACH 196 LBS/EACH	109 Kg/EACH 240 LBS/EACH
DAE6522*	NET-VERSE D-TYPE CABINET 600mm WIDE X 45RU X 1200mm DEEP	2131.4 (83.91)	1200.0 (47.24)	938 (36.9) WITH CMB 1071 (42.2) WITHOUT CMB	04	135 Kg/EACH 297 LBS/EACH	155 Kg/EACH 342 LBS/EACH
DAE6819*	NET-VERSE D-TYPE CABINET 600mm WIDE X 48RU X 1000mm DEEP	2264.7 (89.16)	1000.0 (39.37)	738 (29.1) WITH CMB 871 (34.3) WITHOUT CMB	00	88 Kg/EACH 194 LBS/EACH	107 Kg/EACH 236 LBS/EACH
DAE6812*	NET-VERSE D-TYPE CABINET 600mm WIDE X 48RU X 1000mm DEEP	2264.7 (89.16)	1000.0 (39.37)	738 (29.1) WITH CMB 871 (34.3) WITHOUT CMB	04	129 Kg/EACH 284 LBS/EACH	148 Kg/EACH 326 LBS/EACH
DAE6829*	NET-VERSE D-TYPE CABINET 600mm WIDE X 48RU X 1200mm DEEP	2264.7 (89.16)	1200.0 (47.24)	938 (36.9) WITH CMB 1071 (42.2) WITHOUT CMB	00	92 Kg/EACH 202 LBS/EACH	112 Kg/EACH 247 LBS/EACH
DAE6822*	NET-VERSE D-TYPE CABINET 600mm WIDE X 48RU X 1200mm DEEP	2264.7 (89.16)	1200.0 (47.24)	938 (36.9) WITH CMB 1071 (42.2) WITHOUT CMB	04	139 Kg/EACH 306 LBS/EACH	159 Kg/EACH 351 LBS/EACH

NOTE: "*" DENOTES COLOR - ADD SUFFIX "B" FOR BLACK AND "W" FOR WHITE

					<p>TITLE NET-VERSE D-TYPE ENHANCED CABINET 600 WIDE X 42/45/48RU X 1000mm/1200mm DEEP (DAE6****) CUSTOMER DRAWING</p>							
					<p>ITEM REVISION NAME 00568EAC/00</p>							
					<p>DATASET FILE NAME 00568EAC_DC/00A</p>							
					<p>MATERIAL: N/A</p>							
<p>00A 12-4-19 MES PATR SJP SEE SHEET ONE FOR REVISIONS</p>					<p>V09002DP</p>							
							<p>THIRD ANGLE PROJECTION</p>		<p>DRAWING NUMBER: 00568EAC-DC</p>			
REV	DATE	BY	CHK	APR	DESCRIPTION	ECN	DRAWN BY	DATE	CHK	SCALE	SHT 2 OF 7	SIZE
							MES	12-4-19	PATR	NONE		A

D10100DA/16

THIS COPY IS PROVIDED ON A RESTRICTED BASIS AND IS NOT TO BE USED IN ANY WAY DETRIMENTAL TO THE INTERESTS OF PANDUIT CORP.

1084 [42.7]
1000mm DEPTH

598
[23.5]

1284 [50.6]
1200mm DEPTH

HEIGHT
WITH
CASTERS

42RU
2045
[80.5]

45RU
2178
[85.8]

48RU
2311
(91.1)

REAR
DOOR
DEPTH
25 [1.0]

FRONT
DOOR
DEPTH
59 [2.3]

SWIVEL
FRONT
CASTERS

SWIVEL
REAR
CASTERS

LEFT VIEW

FRONT VIEW

RIGHT VIEW

REAR VIEW

TITLE
NET-VERSE D-TYPE ENHANCED CABINET
600 WIDE X 42/45/48RU X 1000mm/1200mm DEEP
(DAE6**)**
CUSTOMER DRAWING

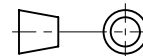
ITEM REVISION NAME
00568EAC/00

DATASET FILE NAME
00568EAC_DC/00A

PANDUIT

MATERIAL:
N/A

DRAWING NUMBER:
00568EAC-DC



THIRD ANGLE
PROJECTION

00A	12-4-19	MES	PATR	SJP	SEE SHEET ONE FOR REVISIONS	V09002DP
-----	---------	-----	------	-----	-----------------------------	----------

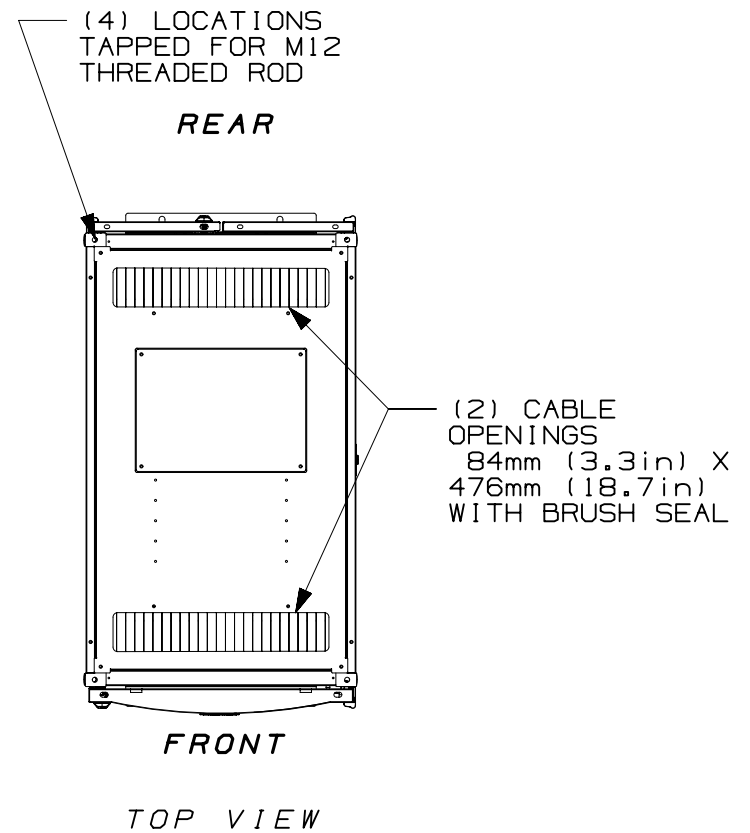
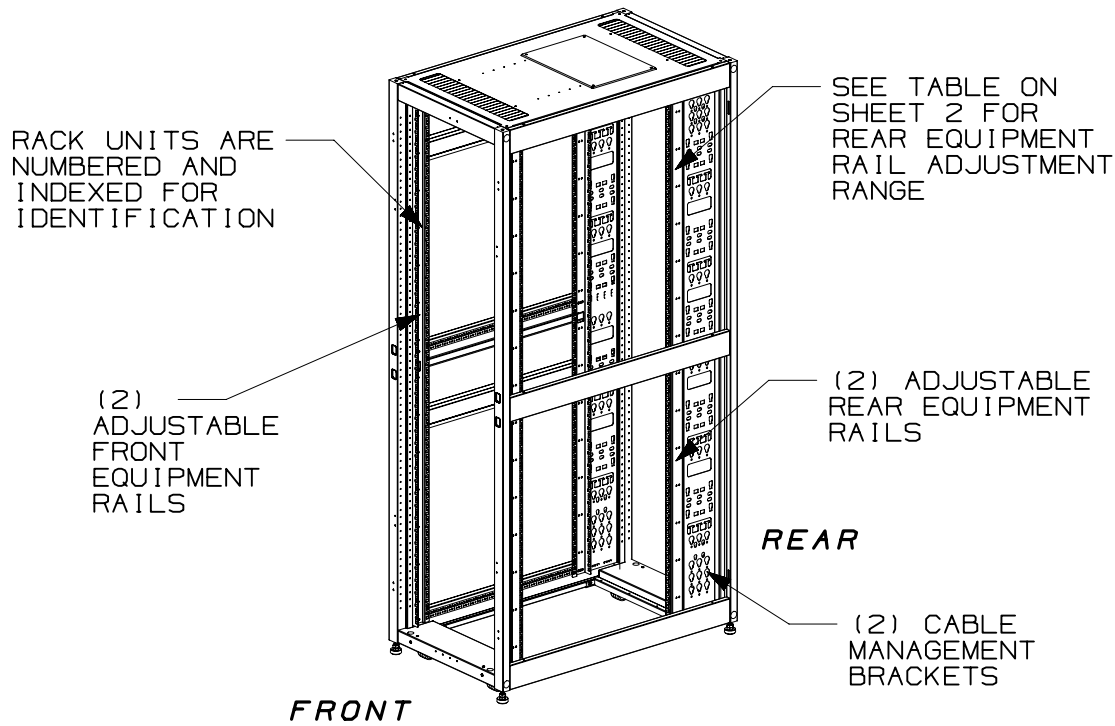
REV	DATE	BY	CHK	APR	DESCRIPTION	ECN	DRAWN BY	DATE	CHK	SCALE	DRAWING NUMBER	SIZE
							MES	12-4-19	PATR	NONE	SHT 3 OF 7	A

2

1

D10100DA/16

THIS COPY IS PROVIDED ON A RESTRICTED BASIS AND IS NOT TO BE USED IN ANY WAY DETRIMENTAL TO THE INTERESTS OF PANDUIT CORP.



FRONT DOOR, REAR DOOR,
AND SIDE PANELS NOT SHOWN

00A	12-4-19	MES	PATR	SJP	SEE SHEET ONE FOR REVISIONS			V09002DP	
REV	DATE	BY	CHK	APR	DESCRIPTION			ECN	

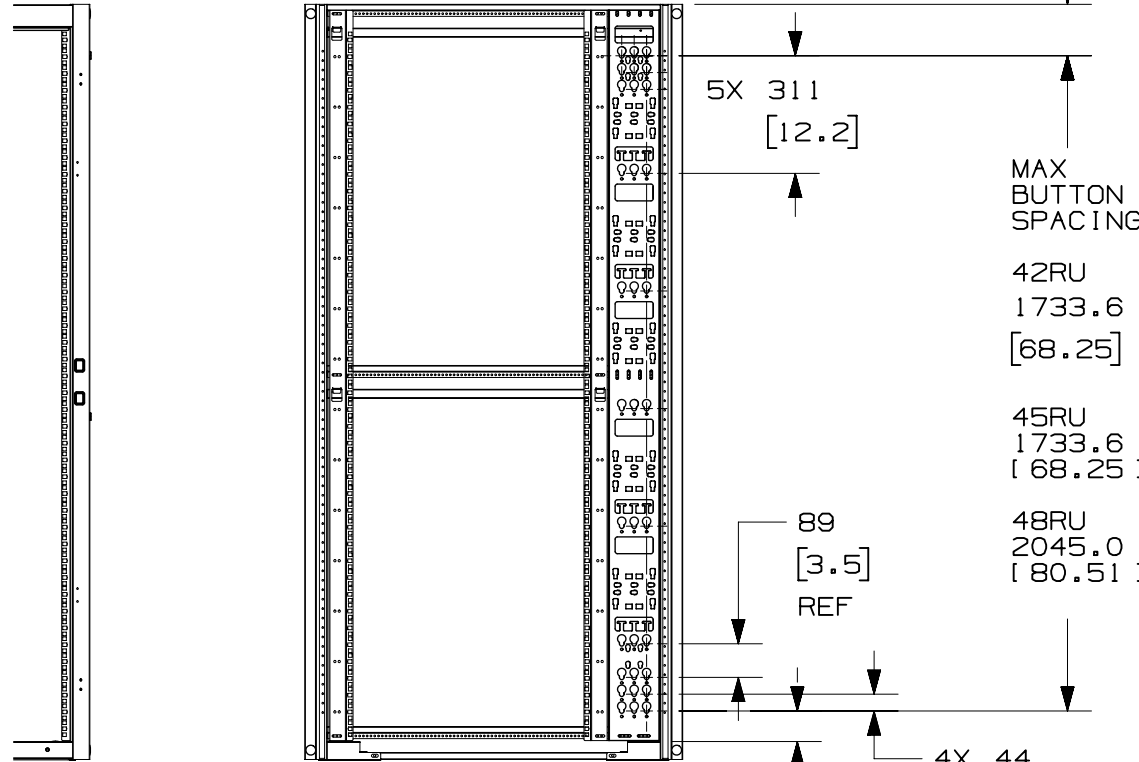
TITLE		NET-VERSE D-TYPE ENHANCED CABINET 600 WIDE X 42/45/48RU X 1000mm/1200mm DEEP (DAE6****) CUSTOMER DRAWING		
ITEM REVISION NAME		00568EAC/00		
DATASET FILE NAME		00568EAC_DC/00A		
MATERIAL:		N/A		
DRAWING NUMBER:		00568EAC-DC		
DRAWN BY		DATE	CHK	SCALE
MES		12-4-19	PATR	NONE
THIRD ANGLE PROJECTION				
SHT 4 OF 7		A		

D10100DA/16

THIS COPY IS PROVIDED ON A RESTRICTED BASIS AND IS NOT TO BE USED IN ANY WAY DETRIMENTAL TO THE INTERESTS OF PANDUIT CORP.

FROM CENTER OF TOP MOUNTING
BUTTON TO TOP CAP:

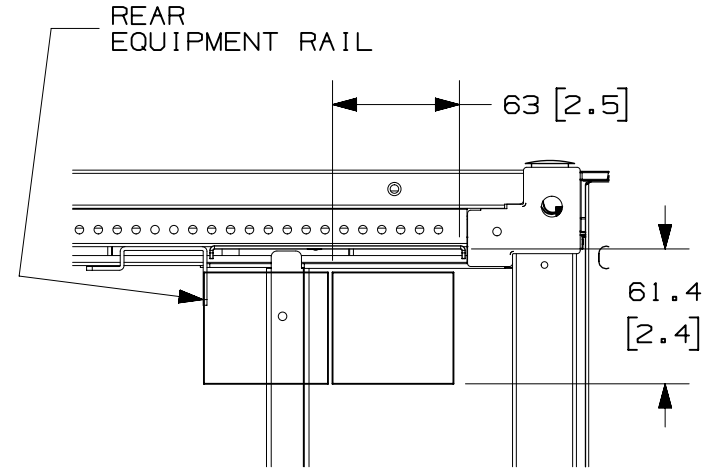
42RU 137.5 [5.4]
45RU 204.1 [8.0]
48RU 114.2 [4.5]



42RU 80.6 [3.17] TO FRAME
45RU 147.3 [5.79] TO FRAME
48RU 58.0 [2.28] TO FRAME

REAR VIEW

RIGHT VIEW



TOP VIEW

PDU FIT:
MAXIMUM WIDTH OF 63mm FOR (2) PDU'S
MOUNTED ON ONE BRACKET,
OR (1) 130mm WIDE PDU.

PDU'S WILL ENTER EIA AREA BEHIND REAR
EQUIPMENT RAILS.

SOME
COMPONENTS
REMOVED
FOR CLARITY

TITLE		NET-VERSE D-TYPE ENHANCED CABINET 600 WIDE X 42/45/48RU X 1000mm/1200mm DEEP (DAE6****) CUSTOMER DRAWING		
ITEM REVISION NAME		00568EAC/00		
DATASET FILE NAME		00568EAC_DC/00A		
MATERIAL:		N/A		
DRAWING NUMBER:		00568EAC-DC		
DRAWN BY		DATE	CHK	SCALE
MES		12-4-19	PATR	NONE
THIRD ANGLE PROJECTION				
REV	DATE	BY	CHK	APR
00A	12-4-19	MES	PATR	SJP
DESCRIPTION		SEE SHEET ONE FOR REVISIONS		
ECN		V09002DP		
SHT 7 OF 7		A		

D101000A/18