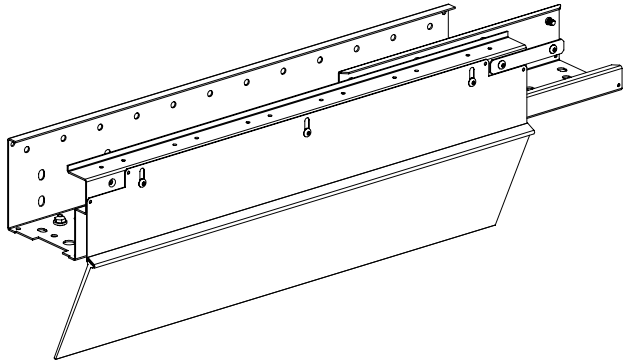


THIS COPY IS PROVIDED ON A RESTRICTED BASIS AND IS NOT TO BE USED IN ANY WAY DETRIMENTAL TO THE INTERESTS OF PANDUIT CORP.



1. VISIT OUR ON-LINE CATALOG AT WWW.PANDUIT.COM FOR A LIST OF CURRENT PARTS APPLICABLE FOR USE WITH THIS PRODUCT.
2. PARTS SUPPLIED FOR 1 PIECE:
 - 1- WALL BEAM
 - 1- WALL BEAM CLAMP
 - 1- WALL BEAM CONNECTOR
 - 1- WALL BEAM FLAP SEAL
 - 1- HARDWARE KIT
 - 1- INSTRUCTION SHEET
- 2A. PARTS SUPPLIED FOR 2 PIECE:
 - 2- WALL BEAMS
 - 2- WALL BEAM CLAMPS
 - 2- WALL BEAM CONNECTORS
 - 2- WALL BEAM FLAP SEALS
 - 2- HARDWARE KITS
 - 1- INSTRUCTION SHEET
3. PRIMARY DIMENSIONS ARE IN MILLIMETERS.

PANDUIT P/N	DESCRIPTION	COLOR	WEIGHT
CUWBPS06ST02B1	NET-CONTAIN UAC WALL BEAM 600mm LONG - 2 PIECES	BLACK	8.40 Kg/EACH [18.6 LBS/EACH]
CUWBPS06ST02W1	NET-CONTAIN UAC WALL BEAM 600mm LONG - 2 PIECES	WHITE	8.40 Kg/EACH [18.6 LBS/EACH]
CUWBPS07ST02B1	NET-CONTAIN UAC WALL BEAM 700mm LONG - 2 PIECES	BLACK	9.56 Kg/EACH [21.0 LBS/EACH]
CUWBPS07ST02W1	NET-CONTAIN UAC WALL BEAM 700mm LONG - 2 PIECES	WHITE	9.56 Kg/EACH [21.0 LBS/EACH]
CUWBPS08ST02B1	NET-CONTAIN UAC WALL BEAM 800mm LONG - 2 PIECES	BLACK	10.68 Kg/EACH [23.6 LBS/EACH]
CUWBPS08ST02W1	NET-CONTAIN UAC WALL BEAM 800mm LONG - 2 PIECES	WHITE	10.68 Kg/EACH [23.6 LBS/EACH]
CUWBPS24ST02B1	NET-CONTAIN UAC WALL BEAM 2400mm LONG - 2 PIECES	BLACK	28.68 Kg/EACH [63.2 LBS/EACH]
CUWBPS24ST02W1	NET-CONTAIN UAC WALL BEAM 2400mm LONG - 2 PIECES	WHITE	28.68 Kg/EACH [63.2 LBS/EACH]
CUWBSS06ST01B1	NET-CONTAIN UAC WALL BEAM 600mm LONG - 1 PIECE	BLACK	4.20 Kg/EACH [9.3 LBS/EACH]
CUWBSS06ST01W1	NET-CONTAIN UAC WALL BEAM 600mm LONG - 1 PIECE	WHITE	4.20 Kg/EACH [9.3 LBS/EACH]
CUWBSS07ST01B1	NET-CONTAIN UAC WALL BEAM 700mm LONG - 1 PIECE	BLACK	4.78 Kg/EACH [10.5 LBS/EACH]
CUWBSS07ST01W1	NET-CONTAIN UAC WALL BEAM 700mm LONG - 1 PIECE	WHITE	4.78 Kg/EACH [10.5 LBS/EACH]
CUWBSS08ST01B1	NET-CONTAIN UAC WALL BEAM 800mm LONG - 1 PIECE	BLACK	5.34 Kg/EACH [11.8 LBS/EACH]
CUWBSS08ST01W1	NET-CONTAIN UAC WALL BEAM 800mm LONG - 1 PIECE	WHITE	5.34 Kg/EACH [11.8 LBS/EACH]
CUWBSS24ST01B1	NET-CONTAIN UAC WALL BEAM 2400mm LONG - 1 PIECE	BLACK	14.34 Kg/EACH [31.6 LBS/EACH]
CUWBSS24ST01W1	NET-CONTAIN UAC WALL BEAM 2400mm LONG - 1 PIECE	WHITE	14.34 Kg/EACH [31.6 LBS/EACH]

REV	DATE	BY	CHK	APR	DESCRIPTION	ECN	DRAWN BY	DATE	CHK	SCALE	SHT 1 OF 2	SIZE
01A	10-7-15	LEE			UPDATED FOR 5" FLAP SEAL	V09000NB						
00A	5-30-14	PBS	PATR	SGI	RELEASED TO PRODUCTION	12V359SU-DC						
							PBS	5-30-14	PATR	NONE		A

TITLE
(CUWB*SST****) NET-CONTAIN UAC WALL BEAM**

CUSTOMER DRAWING

ITEM REVISION NAME
12V359SU-DC/01

DATASET FILE NAME
12V359SU_DC/01A

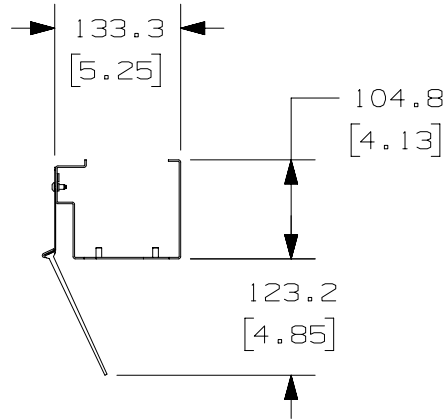
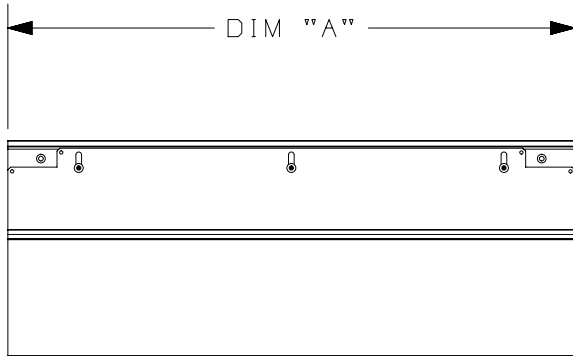
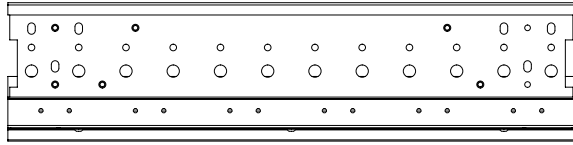
MATERIAL:
N/A

DRAWING NUMBER:
12V359SU-DC

THIRD ANGLE PROJECTION

D10100DA/16

THIS COPY IS PROVIDED ON A RESTRICTED BASIS AND IS NOT TO BE USED IN ANY WAY DETRIMENTAL TO THE INTERESTS OF PANDUIT CORP.



PANDUIT P/N	DIM "A"
CUWBPS06ST02**	600.0 [23.62]
CUWBPS07ST02**	700.0 [27.56]
CUWBPS08ST02**	800.0 [31.50]
CUWBPS24ST02**	2400.0 [94.49]
CUWBSS06ST01**	600.0 [23.62]
CUWBSS07ST01**	700.0 [27.56]
CUWBSS08ST01**	800.0 [31.50]
CUWBSS24ST01**	2400.0 [94.49]

NOTE:
 ** DENOTES COLOR - ADD SUFFIX
 "B1" FOR BLACK AND "W1" FOR WHITE

REV	DATE	BY	CHK	APR	DESCRIPTION	ECN
01A	10-7-15	LEE			SEE SHEET 1 OF 2 FOR REVISIONS	V09000NB
00A	5-30-14	PBS	PATR	SGI	SEE SHEET 1 OF 2 FOR REVISIONS	12V359SU-DC

TITLE		(CUWB*S**ST****) NET-CONTAIN UAC WALL BEAM	
ITEM REVISION NAME		CUSTOMER DRAWING	
DATASET FILE NAME		12V359SU-DC/01	PANDUIT
		12V359SU_DC/01A	
MATERIAL:		N/A	
DRAWING NUMBER:		12V359SU-DC	
DRAWN BY	DATE	CHK	SCALE
PBS	5-30-14	PATR	NONE
SHT 2 OF 2		A	

D10100DA/16