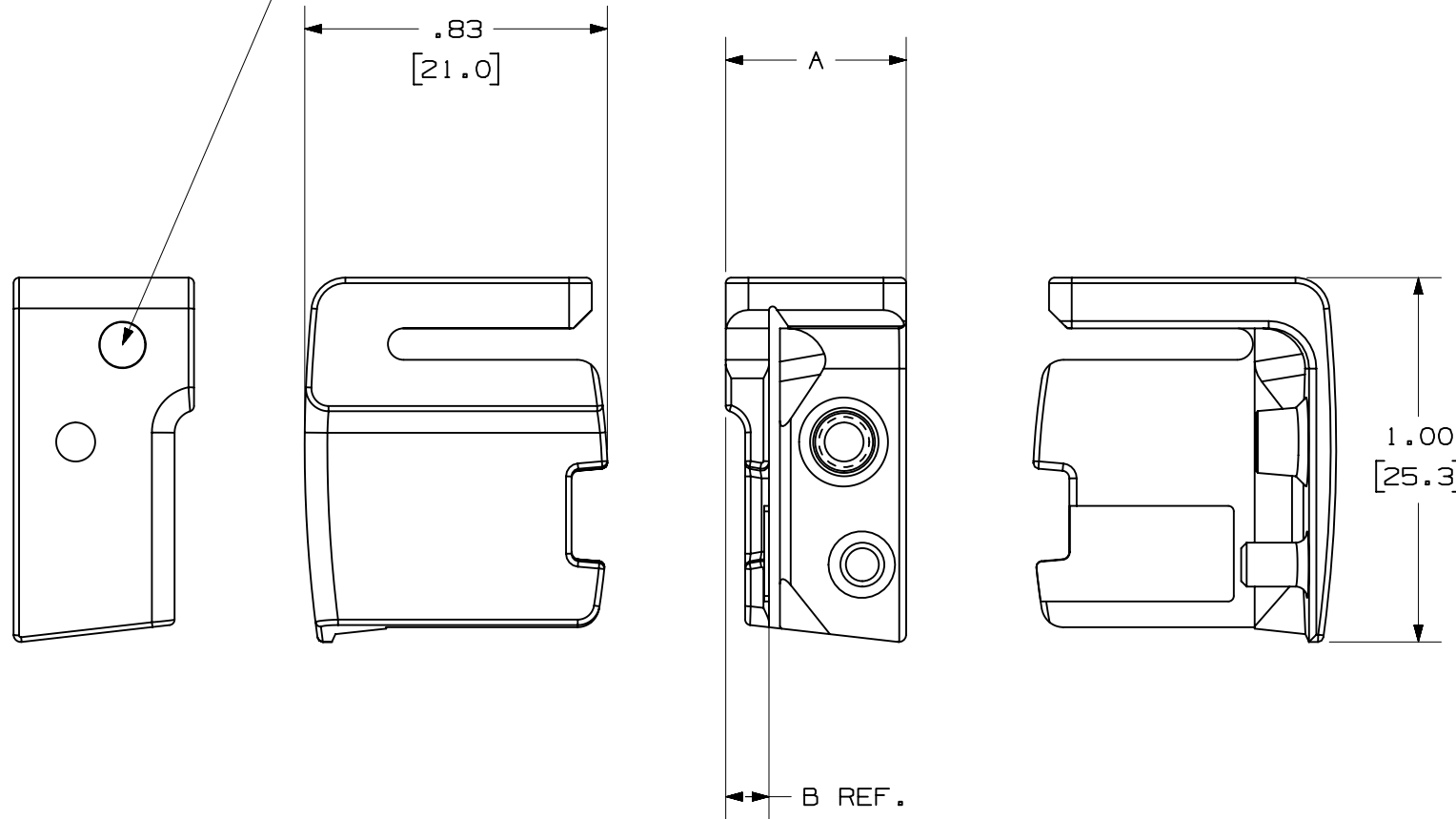


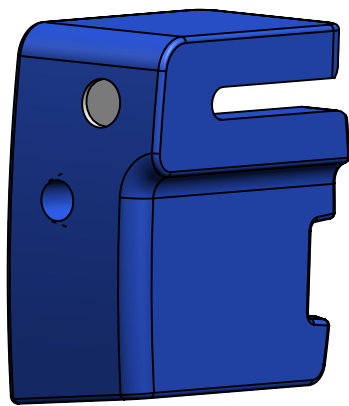
SEE NOTE

PART NO.	For use w/TOOLS:	DIM. A	DIM. B	Max. Cut-off Length	COLOR CODE
BG3GTH-E	GTH-E, GS4H-E	.49 (12.5mm)	.118 (3mm)	.118 (3mm)	ACRYLIC BRIGHT WHITE

Color Code Paint Dot
(SEE TABLE)



1. DIMENSIONS IN [] ARE METRIC.
2. ALL MATERIALS AND COMPONENTS USED MEET THE MATERIAL RESTRICTIONS OF RoHS (EUROPEAN DIRECTIVE 2011/65/EU ON THE RESTRICTION OF HAZARDOUS SUBSTANCES) AS PROPOSED BY THE RoHS TECHNICAL ADAPTATION COMMITTEE.
3. BLADE GUARD KITS INCLUDE:
BLADE GUARD
REPLACEMENT SCREW
THREADLOCKER
4. CABLE TIE CUT-OFF LENGTH WILL NOT EXCEED MAX. CUT-OFF LENGTH IN TABLE. CUT-OFF LENGTH IS DEPENDENT ON VARIOUS ELEMENTS INCLUDING CABLE TIE STYLE, DISTANCE BETWEEN LOCKING SERRATIONS, CONDITION OF THE TIES (DRY VS. MOISTURE CONDITION), SPEED OF TOOL ACTUATION.



REV	DATE	BY	CHK	APR	DESCRIPTION	ECN
01	3/6/2020	LAH	RDSE	ALP	PRODUCTION RELEASE	077232
00	1/24/20	LAH	RDSE	ALP	INITIAL RELEASE	

PART NUMBER		BG3GTH-E	
TITLE		Extended Blade Guard for GTH-E & GS4H-E	
ITEM REVISION NAME		CUSTOMER DRAWING	
DATASET FILE NAME		R29650BA/01	
MATERIAL		R29650BA_DS_WH29650B01/01	
THIRD ANGLE PROJECTION		PANDUIT	
DRAWING NUMBER		WH29650B01	
DRAWN BY	DATE	CHK	SCALE
LAH	1/6/20	RDSE	2:1
SHEET 1 OF 1			SIZE B