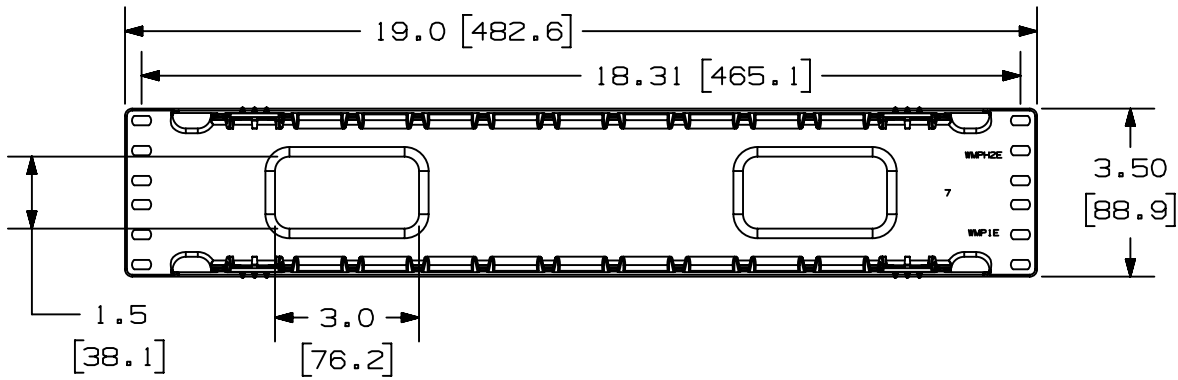
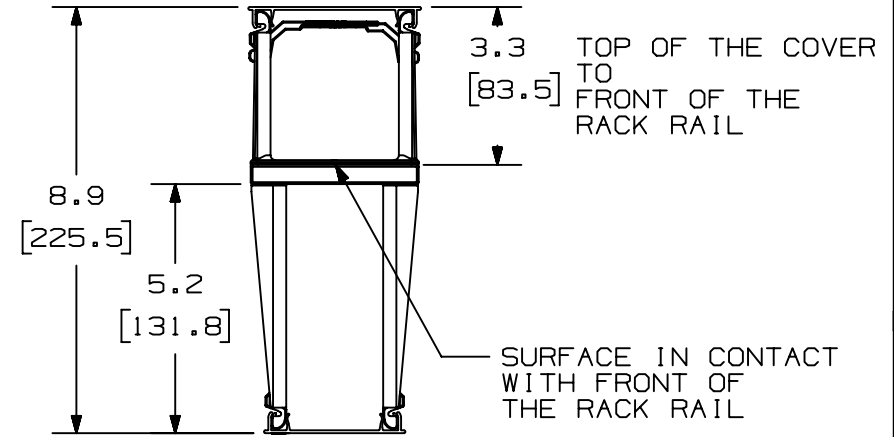
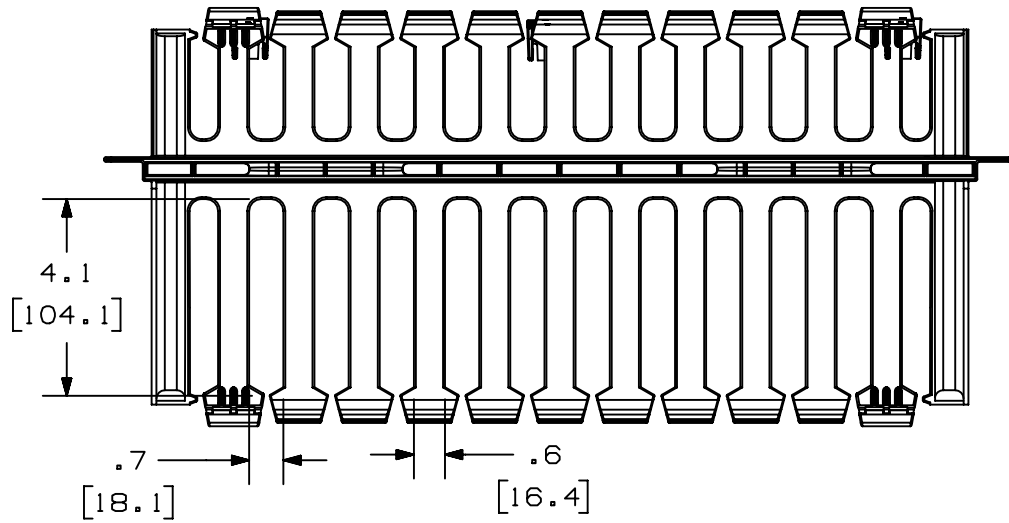


THIS COPY IS PROVIDED ON A RESTRICTED BASIS AND IS NOT TO BE USED IN ANY WAY DETRIMENTAL TO THE INTERESTS OF PANDUIT CORP.

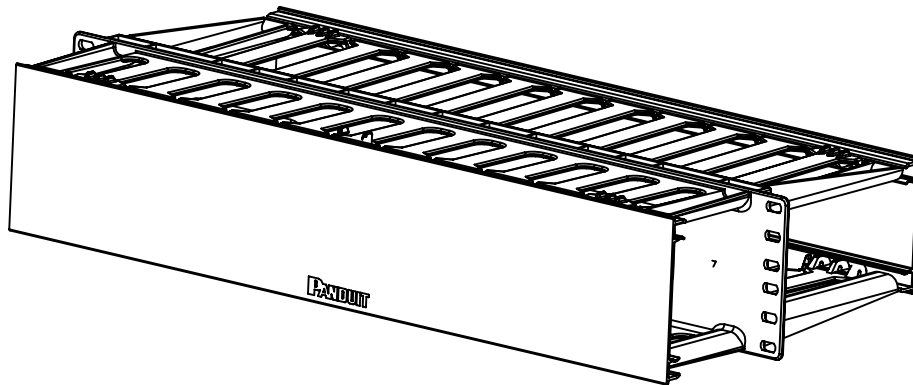


NOTES:

- DESIGNED FOR MOUNTING ON 19" EIA RACKS.
 - COMPONENTS:
 1- MANAGER
 1- 17" REAR DUAL HINGED COVER
 1- 19.375" FRONT DUAL HINGED COVER
 4- #12-24 x 2 " SCREWS
 2- BEND RADIUS CLIPS
 - DIMENSIONS IN PARENTHESES ARE METRIC.
- MAX STORAGE TEMPERATURE 65°C (149°F)
 MAX OPERATING TEMPERATURE 60°C (140°F)



PANDUIT P/N	WEIGHT
WMPH2E	2.6 lbs/EACH 1179 g/EACH



TITLE									
WMPH2E HORIZONTAL MANAGER									
CUSTOMER DRAWING									
ITEM REVISION NAME					V10101WH/11				
DATASET FILE NAME					V10101WH_DC/11A				
					THIRD ANGLE PROJECTION				
MATERIAL					ABS				
					DRAWING NUMBER				
					10101-23				
DRAWN BY		DATE		CHK		SCALE		SIZE	
JDWE		12-17-02		MECA		NONE		A	
REV					DESCRIPTION				
11A					UPDATED COVER TO SHOW CURRENT LOGO				
3-23-23					M09000SE				
JBO									
KRKE									
KCOR									
APR									
BY									
CHK									
SHEET 1 OF 1									

A-SIZE CUSTOMER