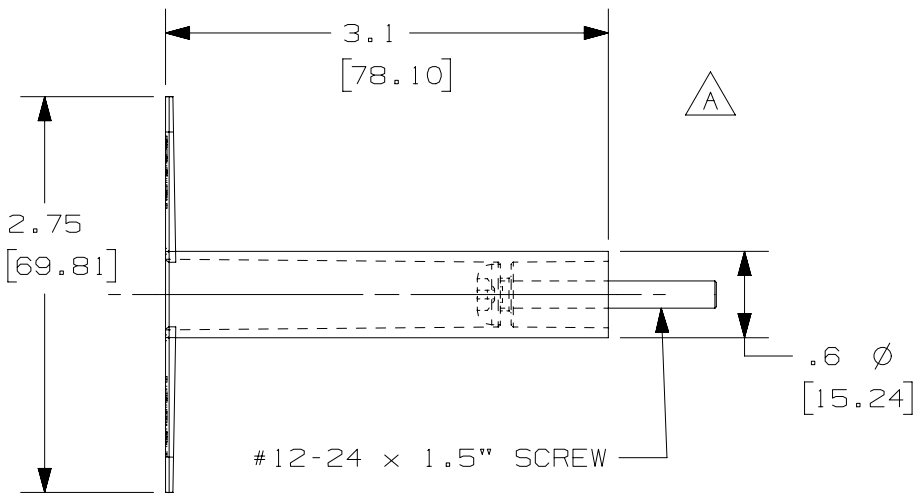
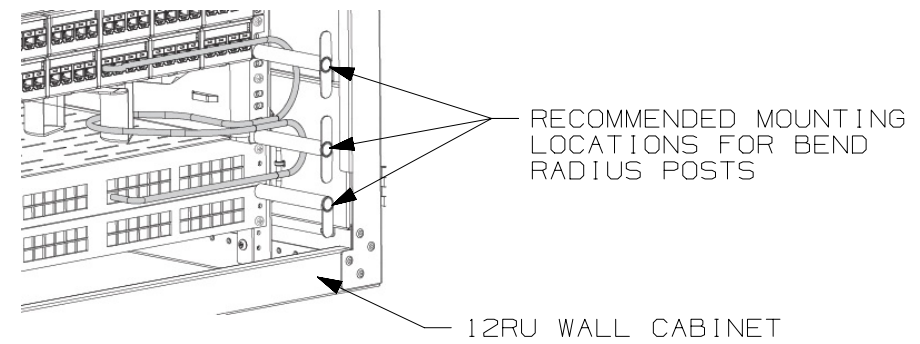
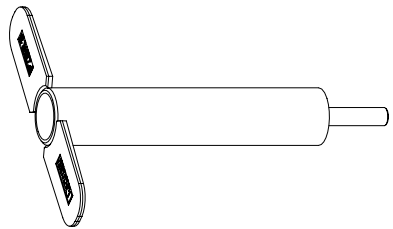


THIS COPY IS PROVIDED ON A RESTRICTED BASIS AND IS NOT TO BE USED IN ANY WAY DETRIMENTAL TO THE INTERESTS OF PANDUIT CORP.

PANDUIT PART NO.	WEIGHT
PZBR3	0.2 LBS/EACH 0.09 Kg/EACH



- NOTES:
- VISIT OUR ON-LINE CATALOG AT WWW.PANDUIT.COM FOR A CURRENT LIST OF PRODUCTS APPLICABLE FOR USE WITH THIS PART.
 - COMPONENTS: (2) BEND RADIUS POSTS
(2) #12-24 x 1.5" SCREWS
 - DIMENSIONS IN PARENTHESIS ARE METRIC.
 - USED TO IMPROVE CABLE ROUTING AND ALLEVIATE TRANSITIONING BETWEEN THE HORIZONTAL AND VERTICAL CHANNEL.
 - POSTS MOUNT DIRECTLY TO THE EQUIPMENT RAILS.



REV	DATE	BY	CHK	APR	DESCRIPTION	ECN
O2B	8-18-15	BAME	NAGL	KRKE	REMOVED PART NUMBER	10290-67
O2A	2-13-15	BAME	NAGL	KRKE	UPDATED TITLE BLOCK AND NOTES	10290-67
O1	7-30-07	MAV			A. ADDED DIMENSIONED VIEW.	10290-67
O0	12-14-06	MAV		BAS	RELEASED TO PRODUCTION	10290-67

TITLE 3" BEND RADIUS POST (PZBR3)					
CUSTOMER DRAWING					
ITEM REVISION NAME V10290EG/02				PANDUIT	
DATASET FILE NAME V10290EG_DC/02B					
UNLESS OTHERWISE SPECIFIED, DIMENSIONAL TOLERANCES ARE: IN (mm)				MATERIAL: ABS PLASTIC	
.X ± .XX ±				.XXX ± ANGLES ±	
				DRAWING NUMBER: 10290-67	
DRAWN BY MAV	DATE 12-14-06	CHK BAS	SCALE NONE	SHT 1 OF 1	
				SIZE A	