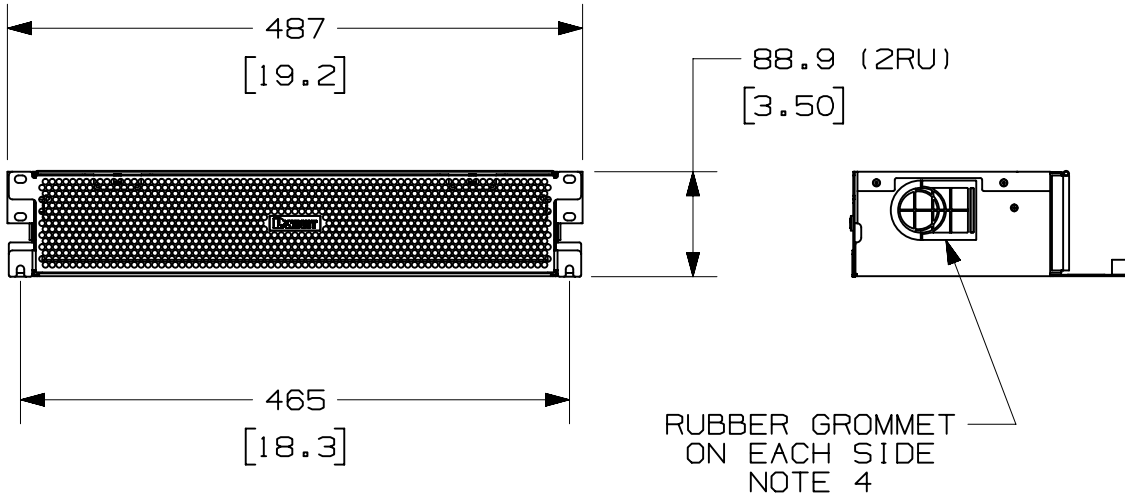
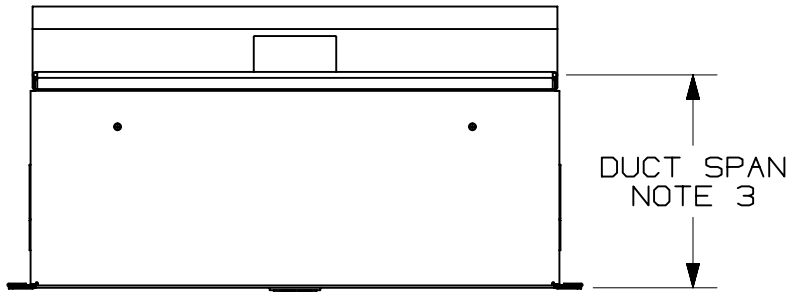
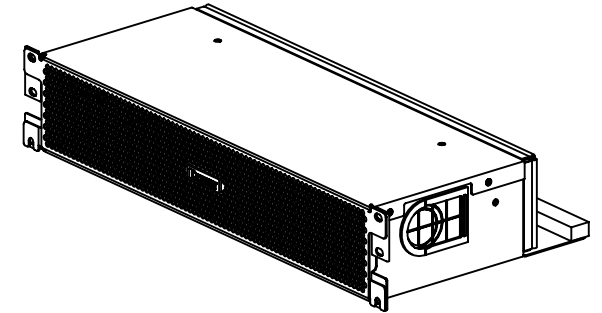


THIS COPY IS PROVIDED ON A RESTRICTED BASIS AND IS NOT TO BE USED IN ANY WAY DETRIMENTAL TO THE INTERESTS OF PANDUIT CORP.

PANDUIT PART NO.	WEIGHT
DIFBA2002S00S	8.2 LBS/EACH



- NOTES:**
- PRIMARY DIMENSIONS ARE MILLIMETERS (mm). DIMENSIONS IN PARENTHESES ARE IN INCHES (IN)
 - PARTS SUPPLIED
1 - 2 RU DUCT
1 - FRONT PERF PLATE
1 - HARDWARE KIT
 - SLIDE BRACKET EXTENDS TO PROVIDE A SPAN (WITH CONSIDERATION FOR SEALS) OF 175.6mm [6.91"] - 200.9mm [7.91"] TO ACCOMODATE A SWITCH MOUNTING DEPTH OF 29" TO 30".
 - 2 RUBBER GROMMETS (1 ON EACH SIDE) PROVIDED FOR EASY ACCESS TO POWER.



00A	8/22/14	TGO			RELEASED							10V168PJ			
REV	DATE	BY	CHK	APR	DESCRIPTION	ECN	DRAWN BY	DATE	CHK	SCALE	DRAWING NUMBER:	SIZE			
							TGO	8/22/14		NONE	SHT 1 OF 1	A			

<p>TITLE</p> <p>INLET DUCTING FOR CISCO 9396 SWITCH</p> <p>DIFBA2002S00S</p> <p>CONTROL DRAWING</p>											
ITEM REVISION NAME						10V168PJ/00					
DATASET FILE NAME						10V168PJ_DC/00A					
MATERIAL:											
N/A											
DRAWING NUMBER:											
10V168PJ-DC											
			THIRD ANGLE PROJECTION								