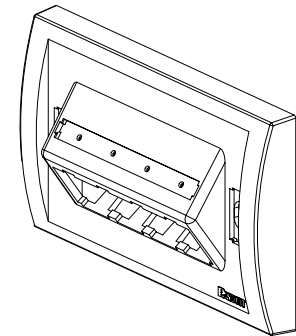
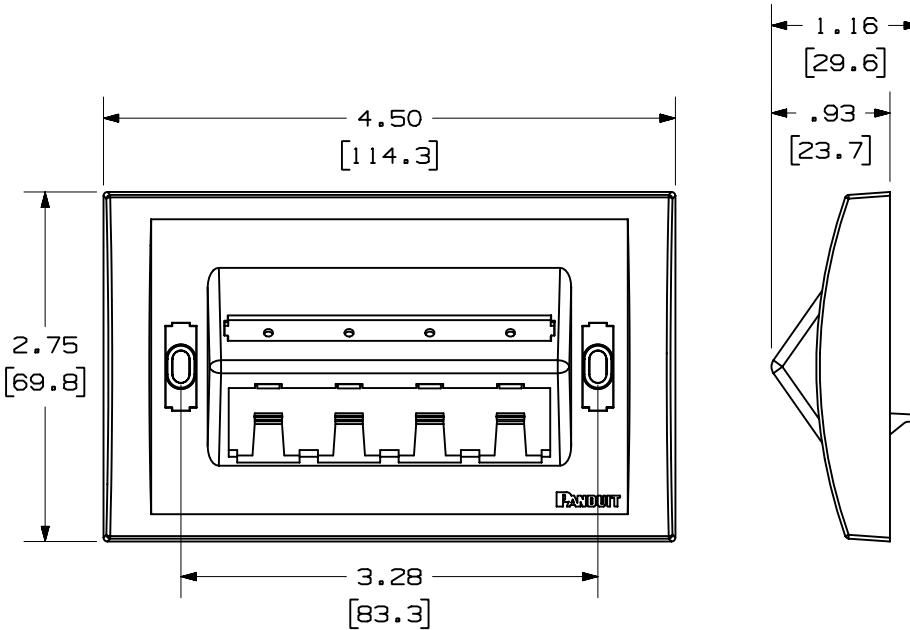


THIS COPY IS PROVIDED ON A RESTRICTED BASIS AND IS NOT TO BE USED IN ANY WAY DETRIMENTAL TO THE INTERESTS OF PANDUIT CORP.

PANDUIT P/N	WEIGHT
UICFPHSEA4**	.68 LB/10 PCS (309.0 g/10 PCS)

NOTES:

- SEE CURRENT CATALOG FOR ADDITIONAL PART NUMBER SUFFIXES TO INDICATE COLOR AND OR PACKAGE QUANTITY.
- SEE CATALOG FOR COMPLETE LIST OF PARTS APPLICABLE FOR USE WITH THIS PART.
- DIMENSIONS IN PARENTHESES ARE IN METRIC.
- PART INCLUDES:
 - FACEPLATE
 - CLEAR SCREW COVER
 - COLOR COORDINATED SCREW COVER
 - CLEAR LABEL COVER
 - 1" MOUNTING SCREW
 - 2" MOUNTING SCREW



MODEL FILENAME	MO1288BD_UICFPHSE4_07.PRT	SIZE	A
DRAWING FILENAME	MO1288EG_DC_07A.PRT		
MINI-COM™ ULTIMATE ID™ 4 POSITION HORIZONTAL SLOPED EXECUTIVE SERIES FACEPLATE CUSTOMER DRAWING			
PANDUIT™ CORP. TINLEY PARK, ILL 60477	I.I. NUMBER	N/A	
	PRODUCT SPEC	N/A	
THIRD ANGLE PROJECTION	WORK INSTRUCTION	N/A	
	SCALE	NONE	
DRAWN BY JsP	REVIEW DRAWING NUMBERS	PART NO. UICFPHSEA4**	
DATE 11-4-04	MATERIAL: ABS	DRAWING NO. 01288-11	
CHK'D			

REV	DATE	BY	CHK	DESCRIPTION	ECN	R	CUST	SUP	OTH
R	11-4-04	JsP		RELEASED TO PRODUCTION	01288-10				