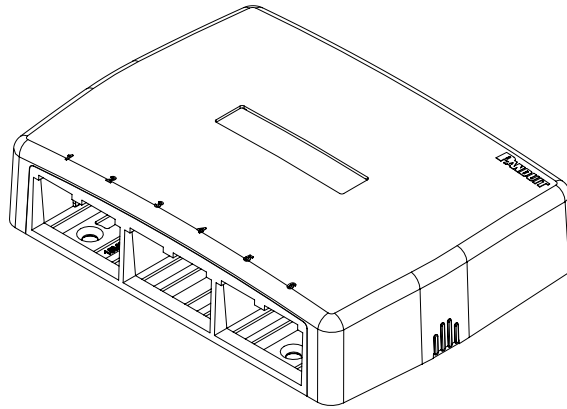
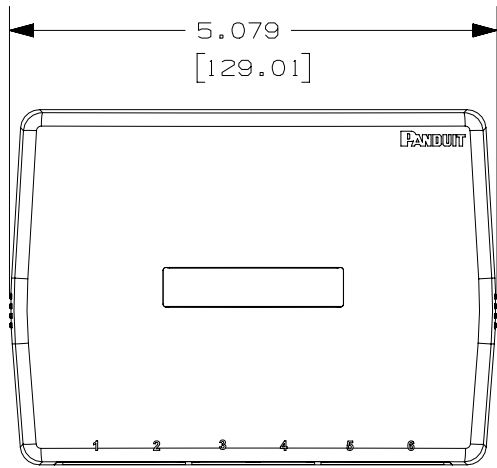


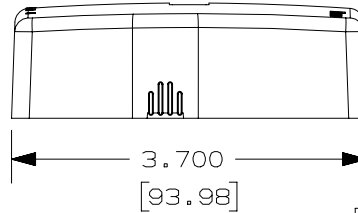
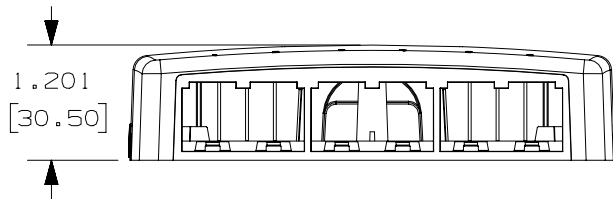
THIS COPY IS PROVIDED ON A RESTRICTED BASIS AND IS NOT TO BE USED IN ANY WAY DETRIMENTAL TO THE INTERESTS OF PANDUIT CORP.



PANDUIT P/N	WEIGHT
JQQ60000	1.36 LB/10 PCS
JQQ60000BL	618 g/10 PCS

NOTES:

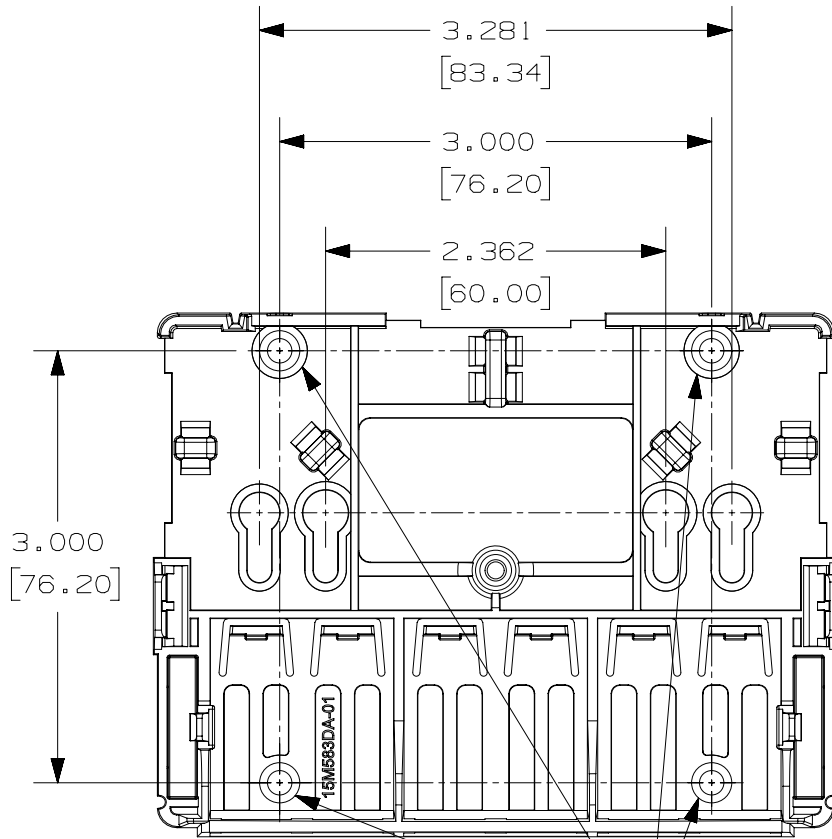
1. SEE CURRENT CATALOG FOR ADDITIONAL PART NUMBER SUFFIXES TO INDICATE COLOR AND/OR PACKAGE QUANTITY.
2. SEE CATALOG FOR A COMPLETE LIST OF PARTS APPLICABLE FOR USE WITH THIS PART.
3. DIMENSIONS IN PARENTHESES ARE IN METRIC.
4. BREAKOUTS DESIGNED TO ACCEPT LD5/LDPH5 and LD10/LDPH10 RACEWAY.
5. INCLUDED WITH BOX KIT:
 - a. (1) BOX COVER
 - b. (1) BOX BASE
 - c. (2) PLT1M PAN-TY
 - d. (1) LABEL AND LABEL COVER
 - e. (1) SCREW (USED TO SECURE COVER TO BASE)
 - f. (2) MAGNET (ATTACHED)



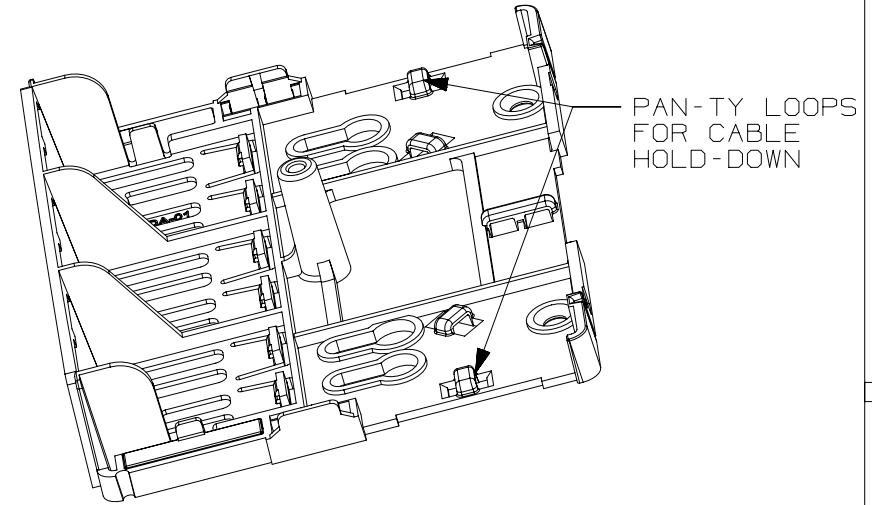
PART NUMBER		SEE TABLE	
TITLE			
MINI-COM 6 PORT BOX w/ QUICK RELEASE COVER			
CUSTOMER DRAWING			
ITEM REVISION NAME		15M583CY/05	
DATASET FILE NAME		15M583CY_DC02/05A	
UNLESS OTHERWISE SPECIFIED, DIMENSIONAL TOLERANCES ARE: IN (mm)		PANDUIT	
.X ±			
.XX ±		ANGLES ±	
DRAWN BY		DATE	
T WV		7-19-16	
CHK		SCALE	
J CO		NONE	
DRAWING NUMBER:		15M583CY-02	
REV		DATE	
BY		CHK	
APR		SCALE	
DESCRIPTION		ECN	
RELEASED TO PRODUCTION		15M583CY-02	
SHT 1 OF 2		A	

D10100DA/14

THIS COPY IS PROVIDED ON A RESTRICTED BASIS AND IS NOT TO BE USED IN ANY WAY DETRIMENTAL TO THE INTERESTS OF PANDUIT CORP.



MOUNTING HOLES FOR #6 COUNTERSUNK SCREW (NOT INCLUDED)



PART NUMBER		SEE TABLE	
TITLE			
MINI-COM 6 PORT BOX w/ QUICK RELEASE COVER			
CUSTOMER DRAWING			
ITEM REVISION NAME		15M583CY/05	
DATASET FILE NAME		15M583CY_DC02/05A	
UNLESS OTHERWISE SPECIFIED, DIMENSIONAL TOLERANCES ARE: IN (mm)			
.X ± .XX ±			
DRAWN BY		DATE	
T WV		7-19-16	
CHK		SCALE	
J CO		NONE	
DRAWING NUMBER:		15M583CY-02	
REV		SHT 2 OF 2	
DATE		A	

REV	DATE	BY	CHK	APR	DESCRIPTION	ECN
R	7-19-16	T WV	J CO	MMR	SEE SHEET 1 FOR REVISION HISTORY	15M583CY-02

D10100DA/14

2

1

2

1