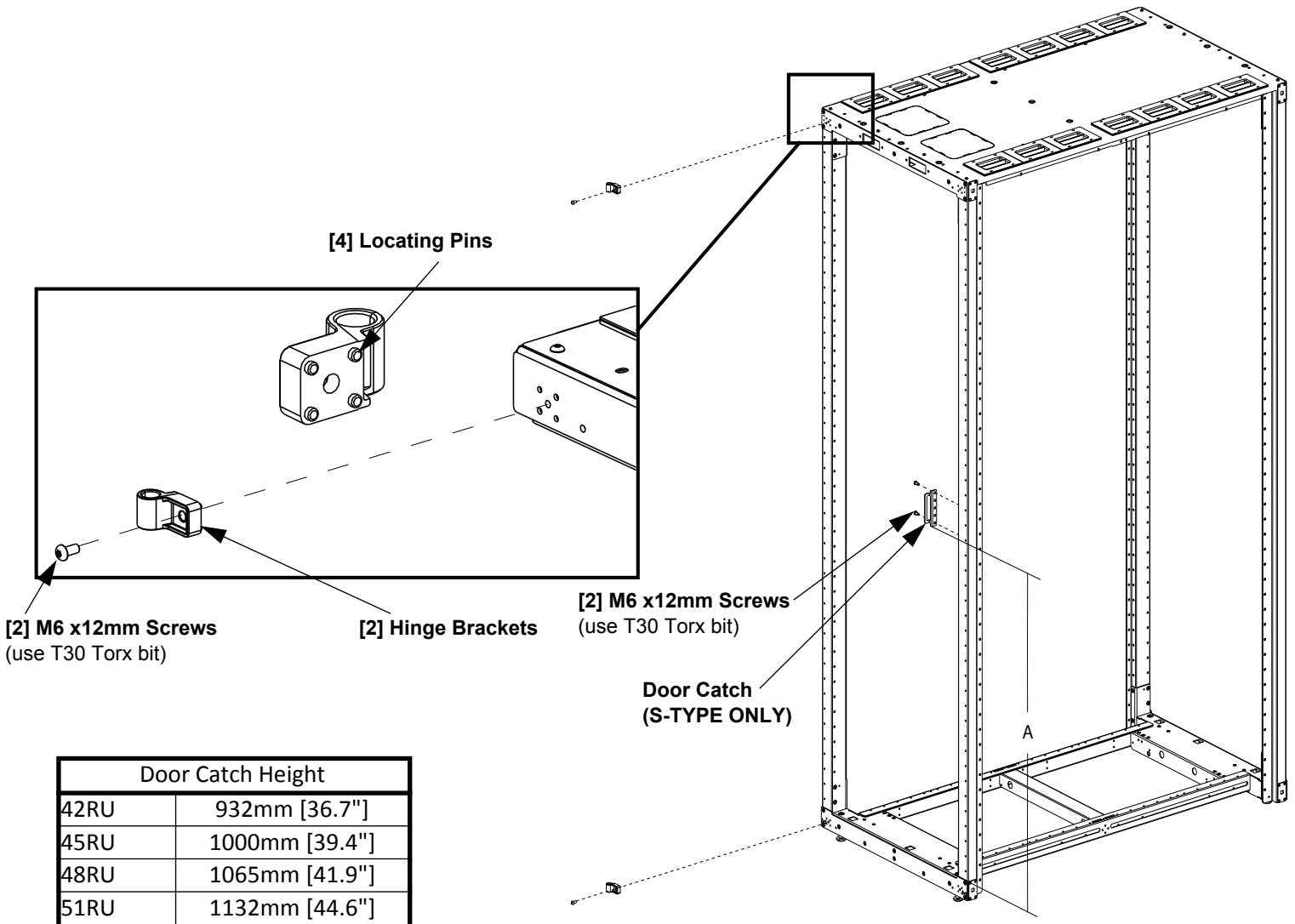


Door Hinge Bracket Installation

- Align [4] Locating Pins of each Hinge Bracket with matching hole pattern of cabinet frame
- Secure [2] Hinge Brackets to cabinet frame with [1] M6 x 12mm Torx Screw per bracket (use T30 Torx bit)
- Locate Door Catch per table below using (2) M6 x 12mm Torx Screws (use T30 Torx bit). **(S-TYPE ONLY)**



List of Part Numbers:

600mm Wide Doors:

S62SSHD*
S65SSHD*
S68SSHD*
S61SSHD*

700mm Wide Doors:

S72SSHD*
S75SSHD*
S78SSHD*
S71SSHD*

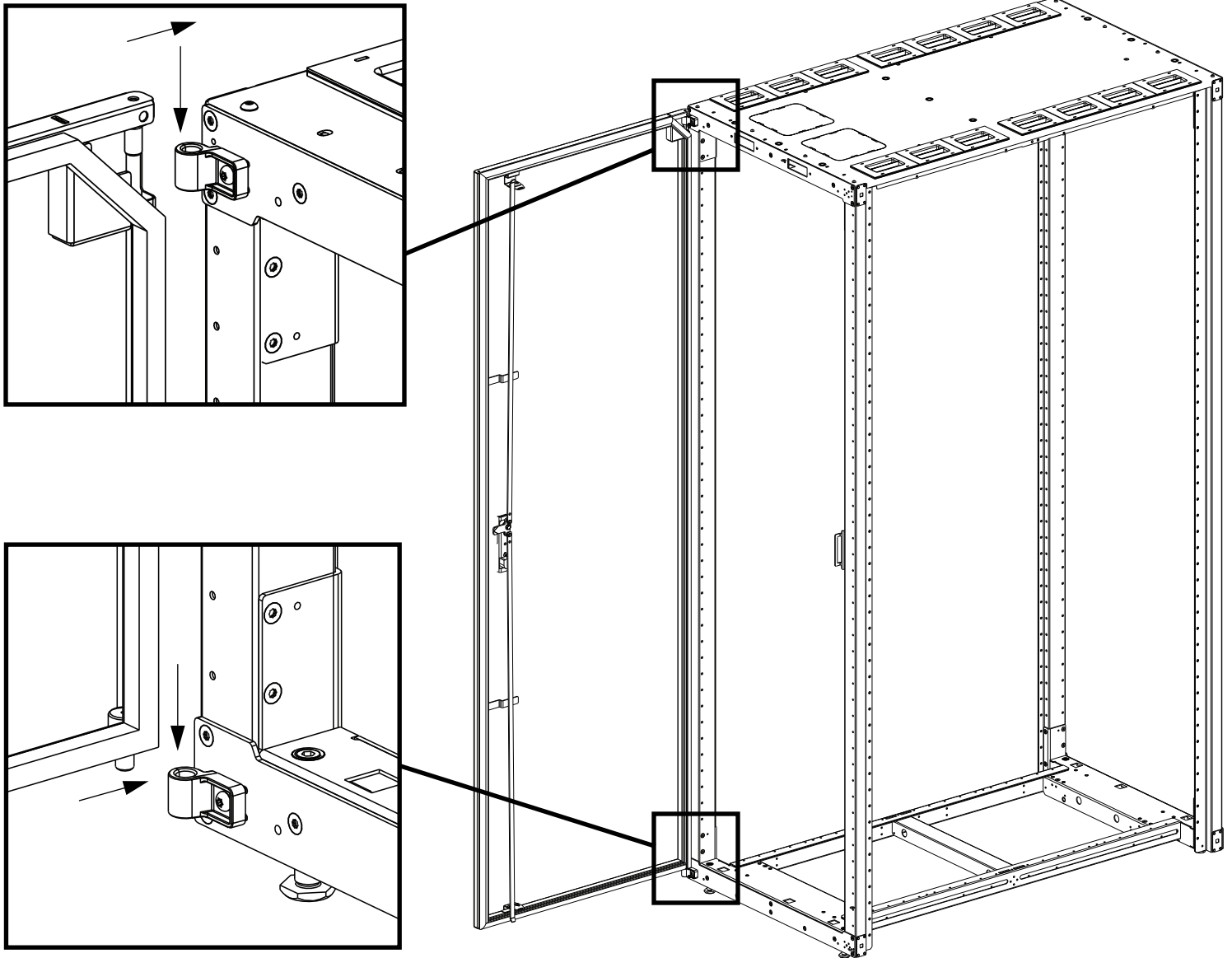
800mm Wide Doors:

SN82SSHD*
SN85SSHD*
SN88SSHD*
SN81SSHD*

* - Denotes color of door: B-black, G-gray, W-white

Solid Single Hinge Door Installation

- Open Solid Single Hinge Door to approximately 90°
- Lift door up and insert hinge pins of door onto hinge brackets
- REVERSE STEPS** to remove door from cabinet



For Instructions in Local Languages
and Technical Support:

www.panduit.com/resources/install_maintain.asp

PANDUIT
www.panduit.com

E-mail: techsupport@panduit.com
Phone: 866-405-6654