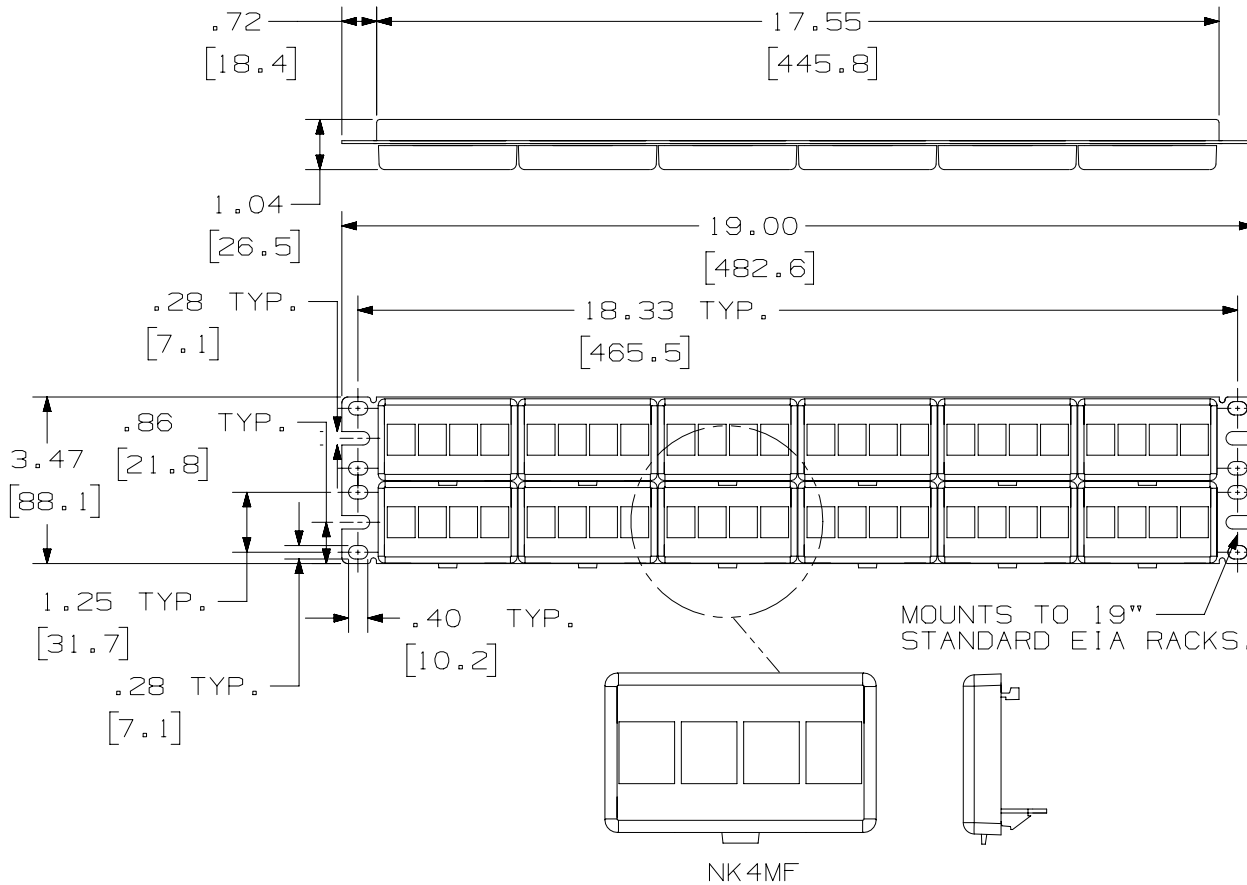


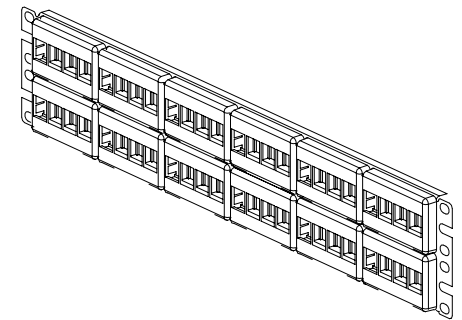
THIS COPY IS PROVIDED ON A RESTRICTED BASIS AND IS NOT TO BE USED IN ANY WAY DETRIMENTAL TO THE INTERESTS OF PANDUIT CORP.

PANDUIT PART NO.	WEIGHT
NKFP48Y	8.75 LB/10 PCS (3970 g/10 PCS)



NOTES:

- SEE CURRENT CATALOG FOR VARIOUS APPLICATIONS WITH THIS WIRING SYSTEM.
- PATCH PANEL IS DESIGNED FOR MOUNTING TO 19" STANDARD EIA RACKS.
- PATCH PANELS ACCEPT ALL NETKEY MODULES.
- DIMENSIONS IN [ ] ARE METRIC.
- PART INCLUDES:
  - (1) -24 PORT STAMPING
  - (12) -FURNITURE FACEPLATE (ASSEMBLED TO STAMPING)
  - (1) -SCREW KIT (INCLUDES FOUR #12-24 SCREWS)



PART NUMBER		NKFP48Y		
TITLE		NETKEY 48 PORT MODULAR FACEPLATE PATCH PANEL		
		CUSTOMER DRAWING		
ITEM REVISION NAME		M02479DL/02		
DATASET FILE NAME		M02479DL_DC92/02A		
UNLESS OTHERWISE SPECIFIED, DIMENSIONAL TOLERANCES ARE: IN (mm)		MATERIAL:		
.x ± .xxx ± .010 [ .3 ]		PANEL: C.R.S.		
.xx ± .03 [ .8 ]		FACEPLATE: ABS		
ANGLES ±		DRAWING NUMBER:		
THIRD ANGLE PROJECTION		02479-092		
DRAWN BY	DATE	CHK	SCALE	SIZE
JSP	5/20/14	MJD	NONE	A

REV	DATE	BY	CHK	APR	DESCRIPTION	ECN
02A	3-2-22	BJN	MDJR	MMR	B. NOTE 5: REMVD M6 SCREW KIT	M09000PQ
1	5/20/14	JSP	REFR	JCK	A. REVISED DRAWING TITLE BLOCK.	02479-092
R	3-11-06	JSP	MJD	MJD	RELEASED TO PRODUCTION	02479-092

D101000DA/14