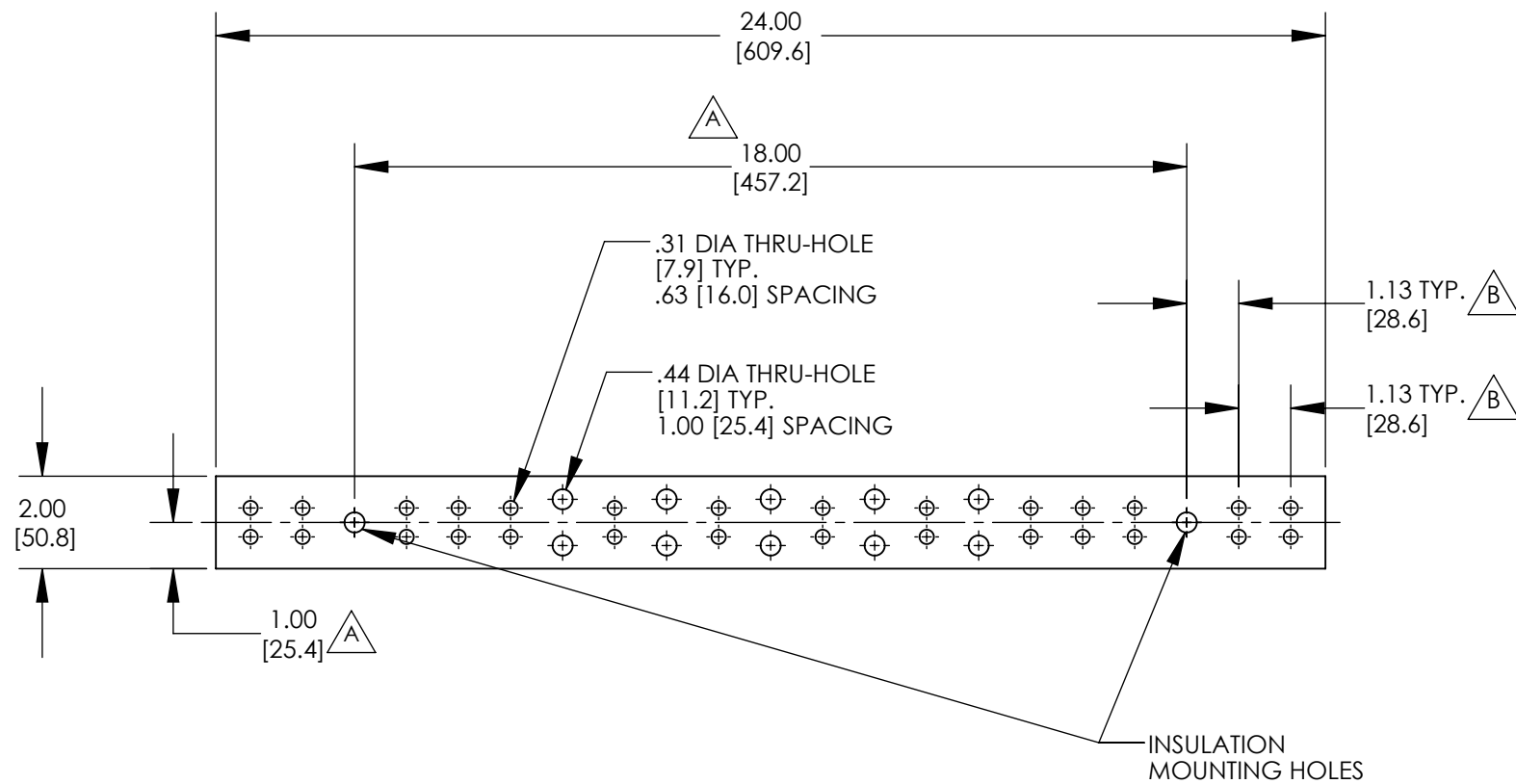
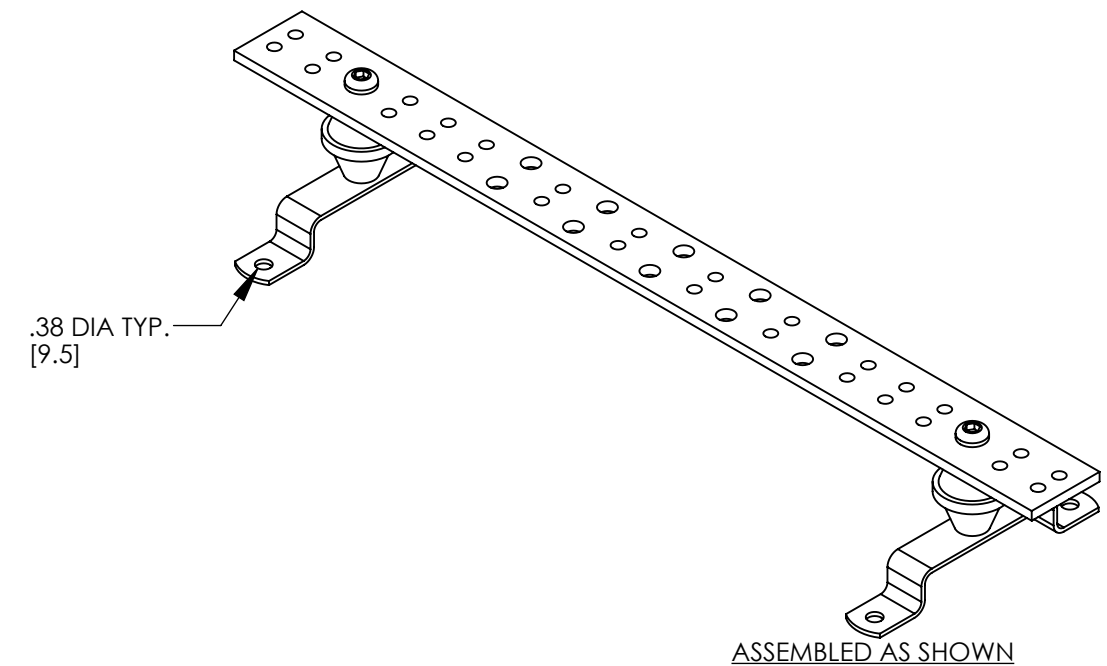
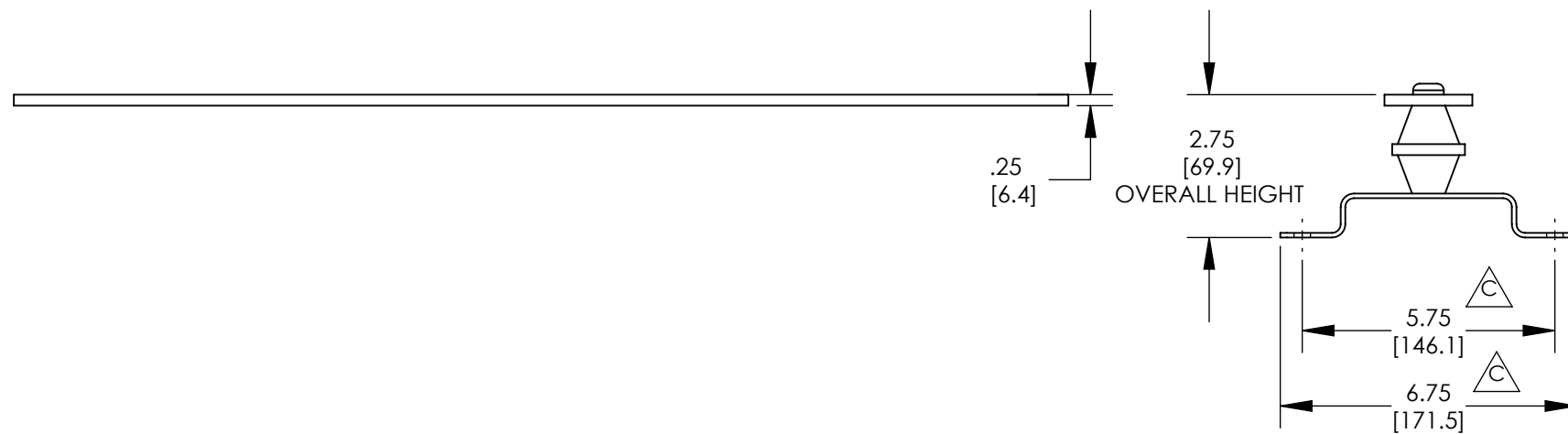


THIS COPY IS PROVIDED ON A RESTRICTED BASIS AND IS NOT TO BE USED IN ANY WAY DETRIMENTAL TO THE INTERESTS OF PANDUIT CORP.



NOTES:

1. KIT COMES FULLY ASSEMBLED
2. KIT INCLUDES BUSBAR, MOUNTING BRACKETS, INSULATORS, AND MOUNTING HARDWARE.
3. MEETS BICSI/ANSI/TIA-607-D
4. DIMENSIONS IN PARENTHESIS ARE MILLIMETERS.



REV	DATE	BY	CHK	APR	DESCRIPTION	ECN	TITLE				DRAWING NUMBER	
							TGB BCSI GROUNDING BUSBAR (GB2B0514TPI) CUSTOMER DRAWING				<b>PANDUIT</b>	
							ITEM REVISION NAME N41741BC/09					
							DATASET FILE NAME C41741 r09.SLDDRW				MATERIAL	
							UNLESS OTHERWISE SPECIFIED, DIMENSIONAL TOLERANCES ARE: IN [mm] .X ± .XXX ± .XX ± ANGLES ±				DRAWING NUMBER C41741	
							THIRD ANGLE PROJECTION				SHEET 1 OF 1	
							DRAWN BY JHNU DATE 1/08 CHK DWDA SCALE NONE				SIZE B	
09	10/22	JHNU	JHNU	JADE	C. ADDED MOUNTING BRACKET DIMENSIONS B. ADDED HOLE SPACING DIMENSIONS	126787						
08	8/22	JHNU	JHNU	ALP	A. ADDED MOUNTING HOLE DISTANCE DIMENSIONS	125516						
07	6/22	JHNU	JHNU	JADE	REVISED DIMENSION IN ISO VIEW: .38 DIA WAS .44 DIA	121700						
06	3/22	JHNU	JHNU	ALP	REVISED NOTE 3: MEETS BICSI/ANSI/TIA-607-D WAS MEETS BICSI/J-STD-607-A REVISED TITLE BLOCK	119913						