

technical information

The QuickNet 4-to-1 Breakout Cassette enables two MPO that each breakout to 4 duplex LC and supports 16 fibers total. This permits for standards-compliant migration from duplex based applications (e.g. 10G Ethernet) to parallel optics based applications (e.g. 40/100G Ethernet). As well as to connect to a SAN switch or storage array at 8/16/32G speeds. All cassettes are factory terminated and tested to deliver verified optical performance and reliability for quick deployment and improved network integrity.



applications

Application areas include key elements as specified in Data Center Cabling Standard TIA 942 cross connects in main, horizontal, and equipment distribution areas. Allows for the connection of two MPO-based port to four LC-based components, such as LAN or SAN switches, and servers. Supports 40G to 4x10G, 100G to 4x25G, 400G to 4x100G or 128G to 4x32G.

construction

Fiber count:	16
Fiber types:	Multimode: OM3 50/125µm OM4 50/125µm SingleMode: OS2 9/125µm
Front connectivity:	LC Duplex, Multimode with PC Polish
Split sleeve material (SC or LC adapters):	Zirconia ceramic: All OM4, All cassettes
Rear MTP* connectivity:	Multimode: MTP Pinned, PC Singlemode: MTP Pinned, APC

standards

Connectivity meets or exceeds TIA/EIA-568-C.3 performance requirements. Supports IEEE 802.3ba (40/100 Gigabit Ethernet).

environmental properties

Operating temperature:	Room Temperature 0°C to +70°C (32°F to 158°F)
Storage and shipping temperature:	-40°C to +75°C (-40°F to 167°F)

performance properties

Insertion loss (Link loss):	Optimized Loss (per channel): 0.5dB max. Standard Loss (per channel): 0.75dB max.
Return loss:	Per channel: >26dB (OM3/OM4) >26dB (OS1/OS2)
Connector durability:	MTP* and LC ports meet TIA/EIA-568.C.3; A.4.9 Durability: 500 mating cycles (multimode and singlemode)

*MTP is a registered trademark of US Conec Ltd.

QuickNet™ Breakout Fiber Optic Cassettes

part number configurator

Character	1	2	3	4	5	6	7	8	9	10	11	12	13	14	15
Example	F	C	3	Z	O	—	1	6	—	1	0	N	M	B	N

1 – Fiber Product

F = Fiber

2 – Product

C = Cassette

3 – Generation

3 = 4 to Breakout

4 – Fiber Type

9 = OS2 Singlemode 9/125µm

X = OM3 50/125µm

Z = OM4 50/125µm

5 – Fiber Performance

N = Standard

O = Optimized
(OM3 and OM4 only)

6 – Dash

7 and 8 - Numbers of Fibers

16 = 16-Fiber total

9 – Dash

10 and 11 – Adapter Type

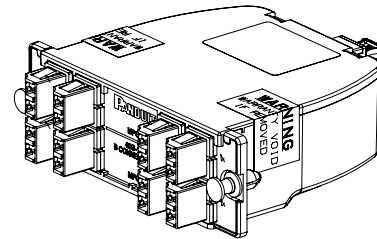
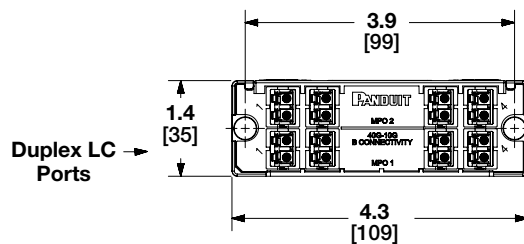
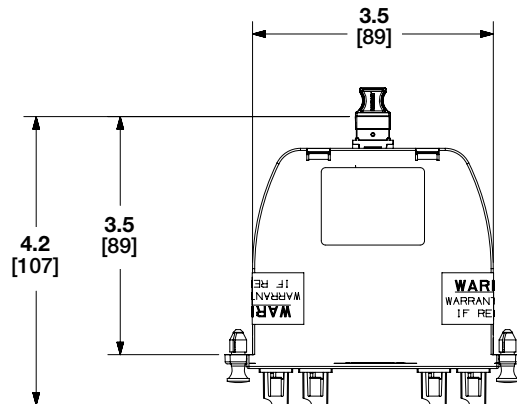
10 = Duplex LC Adapter

12 – Polarity

A = Method A Connectivity

B = Method B Connectivity

QuickNet™ MTP* Fiber Optic Cassettes



*MTP is a registered trademark of US Conec Ltd.

Dimensions are in inches. [Dimensions in brackets are metric].

WORLDWIDE SUBSIDIARIES AND SALES OFFICES

PANDUIT US/CANADA
Phone: 800.777.3300

PANDUIT EUROPE LTD.
London, UK
Phone: 44.20.8601.7200

PANDUIT SINGAPORE PTE. LTD.
Republic of Singapore
Phone: 65.6305.7575

PANDUIT JAPAN
Tokyo, Japan
Phone: 81.3.6863.6000

PANDUIT LATIN AMERICA
Guadalajara, Mexico
Phone: 52.33.3777.6000

PANDUIT AUSTRALIA PTY. LTD.
Victoria, Australia
Phone: 61.3.9794.9020

For a copy of Panduit product warranties, log on to www.panduit.com/warranty

For more information

Visit us at www.panduit.com
Contact Customer Service by email: cs@panduit.com
or by phone: 800.777.3300

© 2023 Panduit Corp.
ALL RIGHTS RESERVED.
FBSP85-WW-ENG
5/2023