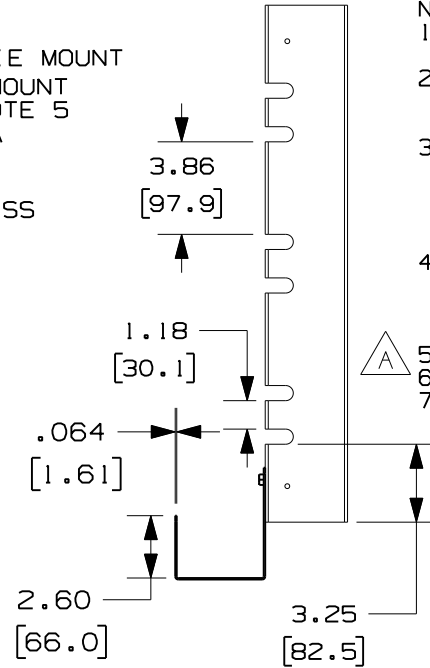
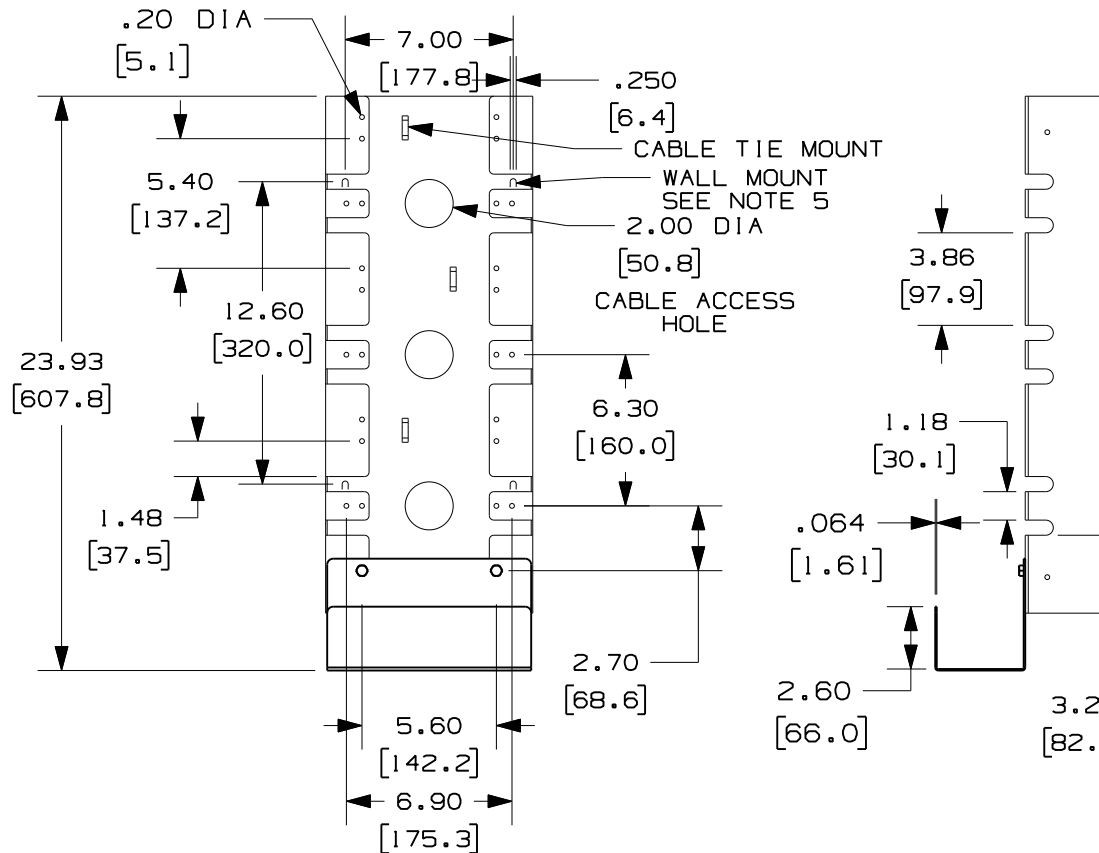


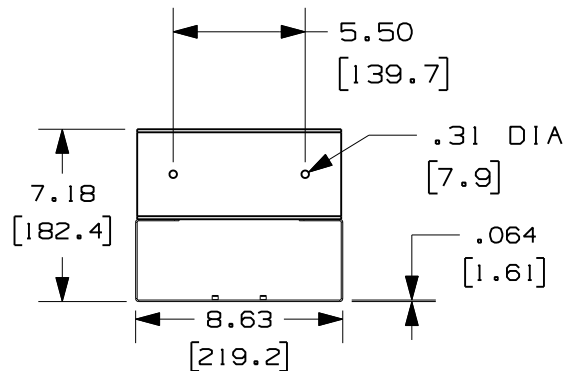
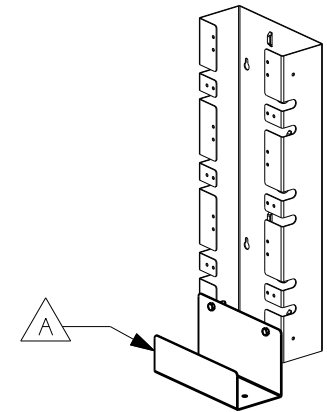
THIS COPY IS PROVIDED ON A RESTRICTED BASIS AND IS NOT TO BE USED IN ANY WAY DETRIMENTAL TO THE INTERESTS OF PANDUIT CORP.

| PANDUIT PART NO. | WEIGHT |
|------------------|----------------------------|
| P110T300Y | 6.695 LB/ea 3043.2 g/ea |



NOTES:

- SEE CURRENT CATALOG FOR ADDITIONAL PART NUMBER SUFFIXES TO INDICATE PACKAGE QUANTITY.
- TOWER IS DESIGNED FOR WALL MOUNT APPLICATIONS AND PROVIDES VERTICAL CABLE MANAGEMENT.
- TOWER COMES WITH FASTENER KIT WHICH INCLUDES THE FOLLOWING: (2) #12 X 1/2" SHEET METAL SCREWS, (2) #12 LOCK WASHERS, (1) 1/4-20 X 3/4 MACHINE SCREW, (1) 1/4-20 HEX NUT, (2) 1/4" LOCK WASHERS.
- ALSO INCLUDED WITH TOWER IS A GROUNDING LUG AND (13) SCREWS WHICH CAN BE USED FOR MOUNTING PANDUIT 110 JUMPER TROUGHS AND BASES WITHOUT LEGS.
- INCLUDES A HORIZONTAL PAIR MANAGER
- THE WIDTH FOR THE WALL MOUNT SLOT IS .25" (6.4).
- DIMENSIONS IN PARENTHESES ARE IN METRIC.



SIZE

A

| | | | |
|--|--|---|--|
| DRAWING FILENAME M02479NA_DC340/04A | | I.I. NUMBER | |
| 300 PAIR TOWER W/HORIZONTAL CABLE MANAGER CUSTOMER DRAWING | | PRODUCT SPEC/ PKG SPEC | |
| TINLEY PARK, IL 60487 | | ASSY METHOD/ TEST METHOD | |
| | | SCALE N/A | |
| THIRD ANGLE PROJECTION | | ALL DIMENSIONS ARE GIVEN IN INCHES, UNLESS OTHERWISE SPECIFIED. DIMENSIONAL TOLERANCES ARE: (.X) ±.03 (.XXX) ±.010 (.3 (.XX) ±.03 (.8) ANGLES ± 1° | |
| DRAWN BY NER | | PART NO. P110T300Y | |
| DATE 3-24-06 | | DRAWING NO. 02479-340 | |
| CHK'D | | REVIEW DRAWING NUMBERS | |
| REV | | DATE | |
| BY | | CHK | |
| DESCRIPTION | | ECN - R CUST SUP OTH | |

| | | | | | | | | | |
|-----|---------|-----|------|-----------------------------|-----------|------|------|-----|-----|
| 1 | 2-27-12 | BJN | MBVE | A. ADDED HORIZONTAL MANAGER | 02479-340 | MBVE | MBVE | | |
| R | 3-24-06 | NER | | RELEASED TO PRODUCTION | 02479-340 | | RMD | | |
| REV | DATE | BY | CHK | DESCRIPTION | ECN | R | CUST | SUP | OTH |