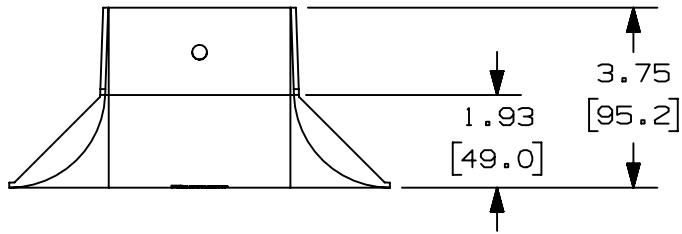


2

1

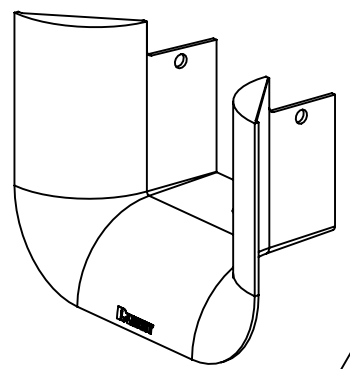
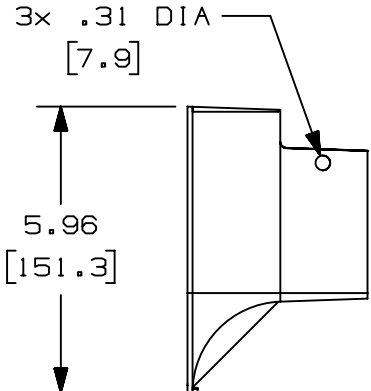
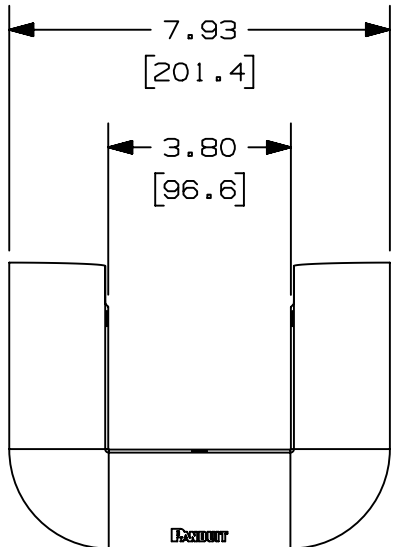
THIS COPY IS PROVIDED ON A RESTRICTED BASIS AND IS NOT TO BE USED IN ANY WAY DETRIMENTAL TO THE INTERESTS OF PANDUIT CORP.

PANDUIT PART NUMBER	WEIGHT	MATERIAL
FTR4X4**	0.3 LB/EACH (136g/EACH)	ABS
FTR4X4L**	0.3 LB/EACH (136g/EACH)	PC/ABS



NOTES:

1. SEE CURRENT CATALOG FOR ADDITIONAL PART SUFFIXES TO INDICATE COLOR AND/OR PACKAGE QUANTITY.
2. THE FIBER-DUCT 4x4 AND PANDUIT TYPES H AND HS 3-SIDED BEND RADIUS CONTROL TRUMPET IS DESIGNED WITH A MINIMUM 2" (50.8) BEND RADIUS TO PROTECT FIBER OPTIC CABLES.
3. DIMENSIONS IN PARENTHESES ARE IN METRIC.



REV	DATE	BY	CHK	APR	DESCRIPTION	ECN
04A	01-14-20	MES	DWR	DWR	K. ADDED FTR4X4L** PART NUMBER	V09002DZ/01
3	05-10-13	JBN	RTFI	RN	J. UPDATED DRAWING BORDER & TITLE BLOCK	37185-72

<b>TITLE</b> FIBER-DUCT 4X4 AND PANDUIT TYPES H AND HS 3-SIDED BEND RADIUS CONTROL TRUMPET - FTR4X4**, FTR4X4L** CUSTOMER DRAWING					
ITEM REVISION NAME <b>D37185EZ/01</b>					
DATASET FILE NAME <b>D37185EZ_DC/04A</b>					
UNLESS OTHERWISE SPECIFIED, DIMENSIONAL TOLERANCES ARE: IN [ mm ] .X ± .XXX ± .XX ± .03 [ .8 ] ANGLES ±	<b>MATERIAL:</b> SEE PART NUMBER TABLE ABOVE				
THIRD ANGLE PROJECTION	<b>DRAWING NUMBER:</b> 37185-72				
DRAWN BY <b>JHNU</b>	DATE <b>05-05-00</b>	CHK <b>WAB</b>	SCALE <b>NONE</b>	<b>SHT 1 OF 1</b>	<b>SIZE</b> <b>A</b>

2

1

D10100DA/15