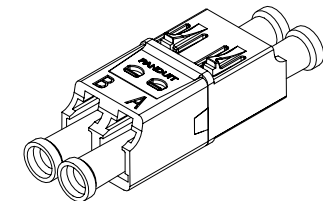
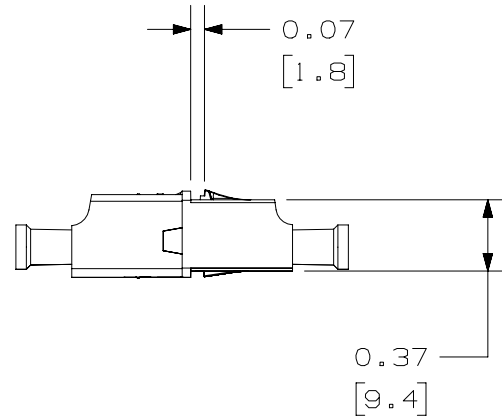
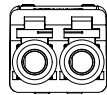
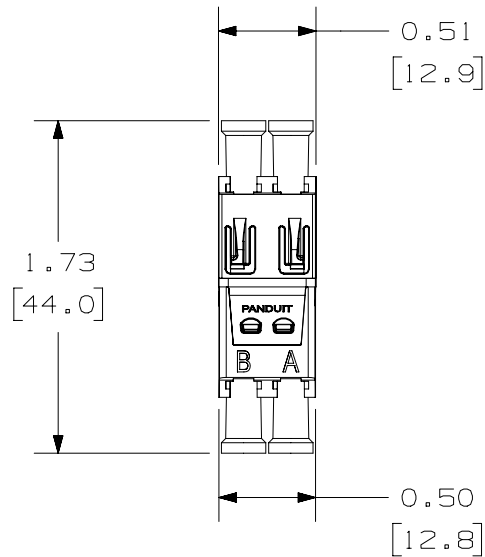


THIS COPY IS PROVIDED ON A RESTRICTED BASIS AND IS NOT TO BE USED IN ANY WAY DETRIMENTAL TO THE INTERESTS OF PANDUIT CORP.

PANDUIT P/N	COLOR	WEIGHT	MODE	SPLIT SLEEVE TYPE
FADSLCAQ-L	AQUA	.29 lbs/50 Pcs [132.0 g/50 Pcs]	MULTIMODE	PHOS BRONZE
FADSLCEI-L	ELECTRIC IVORY			
FADSLCRD-L	RED			
FADSLCYL-L	YELLOW			
FADSLCZAQ-L	AQUA			
FADSLCZBU-L	BLUE	SINGLEMODE	ZIRCONIA	



NOTES:

- SEE CURRENT CATALOG FOR PART NUMBER SUFFIXES TO INDICATE COLOR AND/OR PACKAGE QUANTITIES.
- SEE CATALOG FOR COMPLETE LIST OF PARTS APPLICABLE FOR USE WITH THIS PART.
- MATERIALS:
  - ADAPTER HOUSING: PLASTIC
  - SPLIT SLEEVE: SEE TABLE
  - DUST CAP: PLASTIC
- COMPLIANT WITH TIA/EIA-604-10 (FOCIS-10) AND TIA/EIA-568B.3
- DIMENSIONS IN BRACKETS ARE METRIC [ mm ]

PART NUMBER		SEE TABLE	
TITLE			
LC SENIOR/SENIOR MINI DUPLEX FIBER OPTIC ADAPTER			
CUSTOMER DRAWING			
ITEM REVISION NAME		M00948A1/02	
DATASET FILE NAME		M00948A1_DC/02A	
UNLESS OTHERWISE SPECIFIED, DIMENSIONAL TOLERANCES ARE: IN [ mm ]		MATERIAL:	
.x ± .xxx ± .010 [ .3 ]		DRAWING NUMBER: 00948-19	
.xx ± .03 [ .8 ] ANGLES ±			
THIRD ANGLE PROJECTION		DRAWING NUMBER:	
DRAWN BY		MC	
DATE		06-25-03	
CHK		RFM	
SCALE		NONE	
SHT 1 OF 1		A	

REV	DATE	BY	CHK	APR	DESCRIPTION	ECN
02A	2/15/19	JSP	WJM	AW	A. UPDATED PART.	00948-18
04	10-12-16	SAT	WJM	TMK	RELEASED TO PRODUCTION	00948-18

D10100DA/14