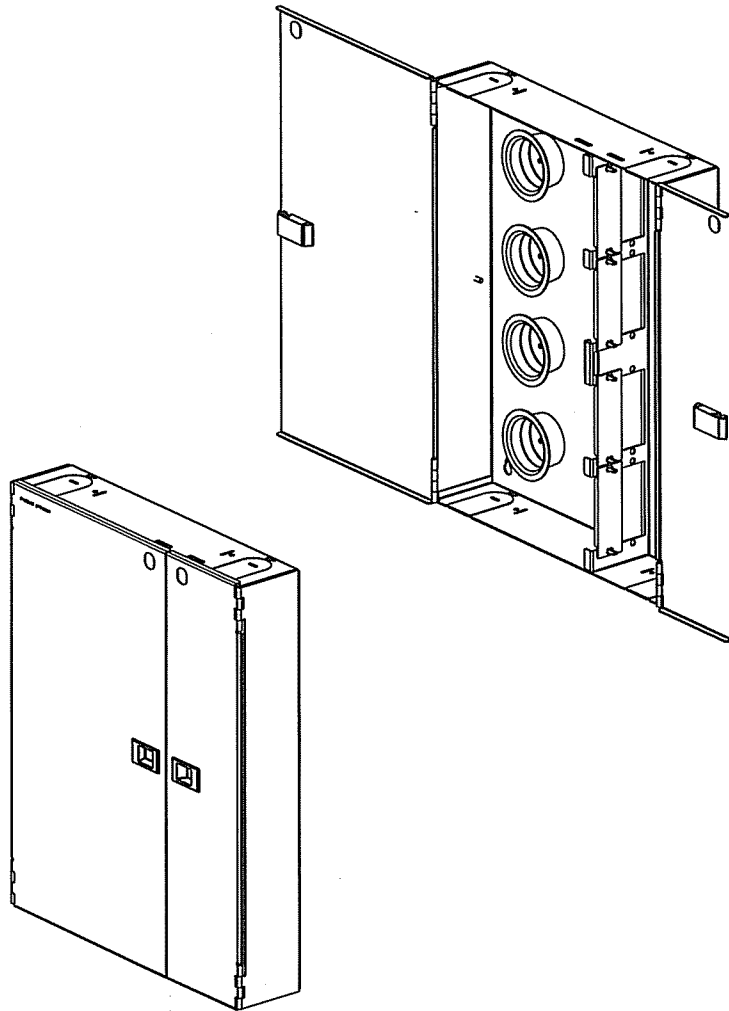


THIS COPY IS PROVIDED ON A RESTRICTED BASIS AND IS NOT TO BE USED IN ANY WAY DETRIMENTAL TO THE INTERESTS OF PANDUIT CORP.



NOTES:

1. SEE CATALOG FOR COMPLETE LIST OF PARTS APPLICABLE FOR USE WITH THIS PART.
2. DIMENSIONS IN PARENTHESES ARE IN METRIC.
3. ENCLOSURE IS FOR WALL MOUNT APPLICATIONS.
4. COMPLETE ENCLOSURE IS MADE FROM 16 GAUGE GALVANNEALED STEEL.
5. ENCLOSURE IS PAINTED BLACK
6. ENCLOSURE IS SUPPLIED WITH:
 - 1- WALL MOUNT KIT
 - 2- PORT I.D. LABELS

PANDUIT P/N	WEIGHT
FWME8	16.0 LB/EA 7257 G/EA

MODEL FILENAME	V10051AC/03-FWME8.PRT
CAD FILENAME/LAYERS	V10051AC_DC/03A.PRT
<h1>PANDUIT</h1> CORP. TINLEY PARK, ILLINOIS	

FIBER WALL MOUNT ENCLOSURE, 8 FAP
(FWME8) CUSTOMER DRAWING

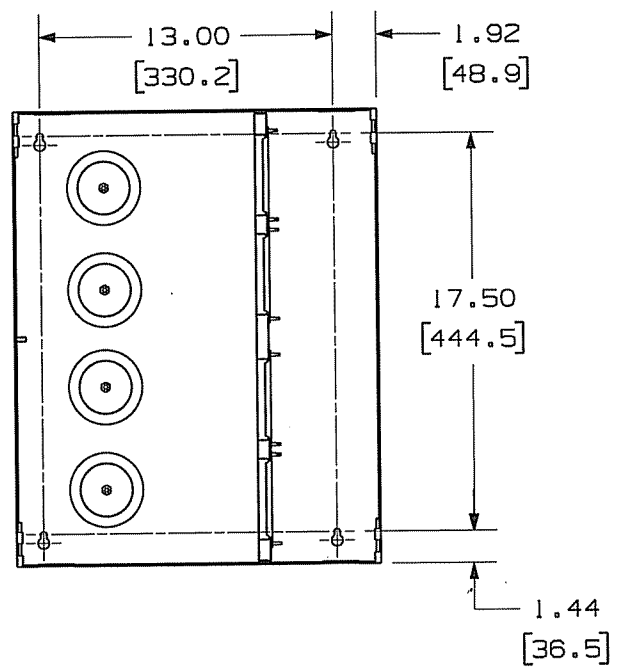
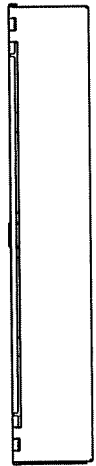
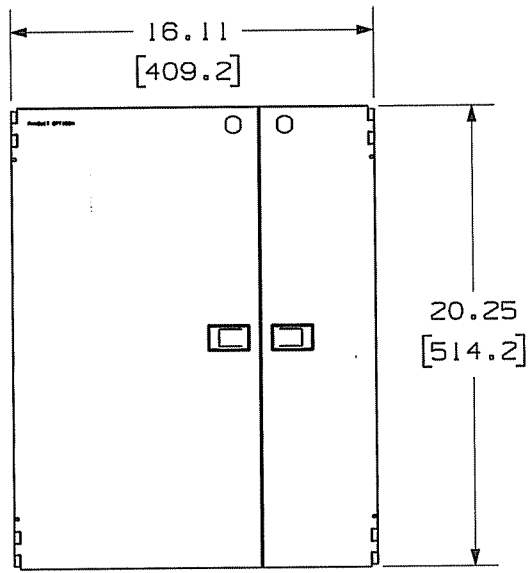
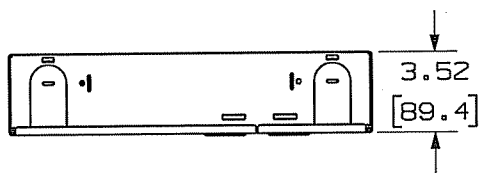
UNLESS OTHERWISE SPECIFIED, DIMENSIONAL TOLERANCES ARE: (.X) ± (.XXX) ± (.XX) ± .03 (.8) ANGLES ±	UNLESS OTHERWISE SPECIFIED, ALL DIMENSIONS ARE GIVEN IN INCHES, THIRD ANGLE PROJECTION.
--	---

DRAWN BY JDWE	MAT'L:	SCALE 1:8
DATE 1-28-02	SEE NOTES	DRAWING NO. 10051-32
CHK'D WJM		SHEET 1 OF 2

REV	DATE	BY	CHK	DESCRIPTION	ECN	R	CUST	SUP	OTH
O1	11-13-09	DAJP	WJM	UPDATED PATCH PANEL	10051-32				
R	1-28-02	JDWE		RELEASED TO PRODUCTION	10051-32				

DWG
A
SIZE

THIS COPY IS PROVIDED ON A RESTRICTED BASIS AND IS NOT TO BE USED IN ANY WAY DETRIMENTAL TO THE INTERESTS OF PANDUIT CORP.



MOUNTING HOLE DIMENSIONS
VIEW SHOWN WITH COVER REMOVED

MODEL FILENAME		V10051AC/03-FWME8.PRT	
CAD FILENAME/LAYERS		V10051AC_DC/03A.PRT	
<h1>PANDUIT</h1> CORP. TINLEY PARK, ILLINOIS			
FIBER WALL MOUNT ENCLOSURE, 8 FAP (FWME8) CUSTOMER DRAWING			
UNLESS OTHERWISE SPECIFIED, DIMENSIONAL TOLERANCES ARE: (.X) ± (.XXX) ± (.XX) ± .03 (.8) ANGLES ±		UNLESS OTHERWISE SPECIFIED, ALL DIMENSIONS ARE GIVEN IN INCHES, THIRD ANGLE PROJECTION.	
DRAWN BY JDWE	MAT'L:	SCALE 1:8	
DATE 1-28-02	SEE NOTES		DRAWING NO. 10051-32
CHK'D WJM			SHEET 2 OF 2
		DWG A	SIZE

REV	DATE	BY	CHK	DESCRIPTION	ECN	R	CUST	SUP	OTH
				SEE SHEET 1 OF 2 FOR REVISIONS					