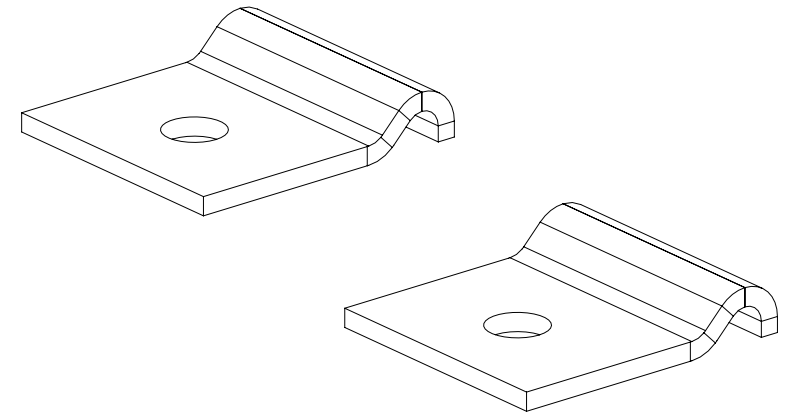
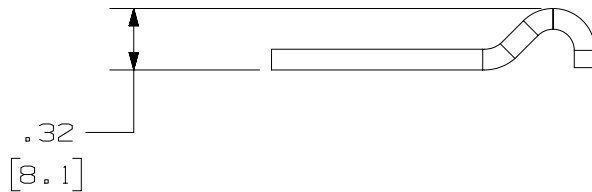
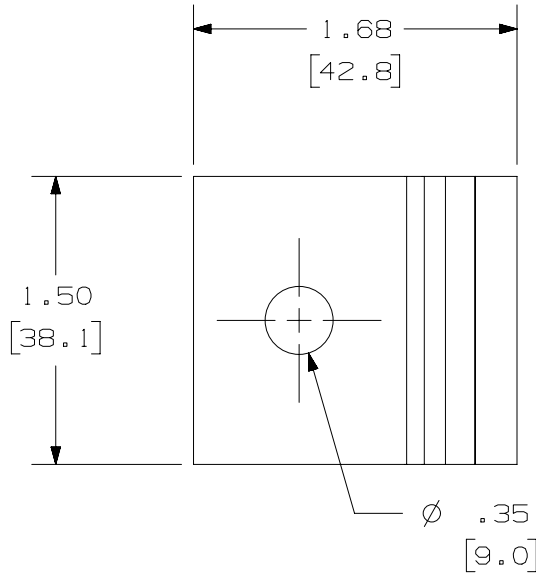


THIS COPY IS PROVIDED ON A RESTRICTED BASIS AND IS NOT TO BE USED IN ANY WAY DETRIMENTAL TO THE INTERESTS OF PANDUIT CORP.

PANDUIT P/N	WEIGHT
PWBWMBV**	.17 LBS/EACH (79.0g)/EACH

NOTES:

1. VISIT OUR ON-LINE CATALOG AT WWW.PANDUIT.COM FOR A LIST OF CURRENT PARTS APPLICABLE FOR USE WITH THIS PRODUCT.
2. DIMENSIONS IN [] ARE METRIC.
3. ALL MATERIALS AND COMPONENTS USED MEET THE MATERIAL RESTRICTIONS OF RoHS (EUROPEAN DIRECTIVE 2011/65/EU ON THE RESTRICTION OF HAZARDOUS SUBSTANCES) AS PROPOSED BY THE RoHS TECHNICAL ADAPTATION COMMITTEE.
4. PART INCLUDES: 2 BRACKETS
5. REQUIRES CUSTOMER SUPPLIED 5/16" OR 8mm HARDWARE.
6. ** = BL (BLACK E-COAT), WH (WHITE POWDER COAT), OR EZ (CLEAR ZINC)
7. ALL MATERIALS AND COMPONENTS USED MEET THE MATERIAL RESTRICTIONS OF RoHS (EUROPEAN DIRECTIVE 2011/65/EC ON THE RESTRICTION OF HAZARDOUS SUBSTANCES) AS PROPOSED BY THE RoHS TECHNICAL ADAPTATION COMMITTEE.



TITLE										
WIRE BASKET VERTICAL WALL MOUNT BRACKET										
CUSTOMER DRAWING										
ITEM REVISION NAME					00510JSZ/00					
DATASET FILE NAME					00510JSZ_DC/00C					
MATERIAL					C.R.S.					
DRAWN BY					DATE		CHK		SCALE	
JSP					3/22/21		DWW		NONE	
DRAWING NUMBER					00510JSZ-DC					
SHEET 1 OF 1					A					

00C	12-14-23	SAT	DWR	EB	B. UPDATED TITLE.	00510JSZ-DC
00B	3/15/22	JSP	DWR	ML	A. UPDATED NOTES	00510JSZ-DC
00A	3/22/21	JSP	DWW	ML	INITIAL RELEASE	00510JSZ-DC
REV	DATE	BY	CHK	APR	DESCRIPTION	ECN

A-SIZE CUSTOMER