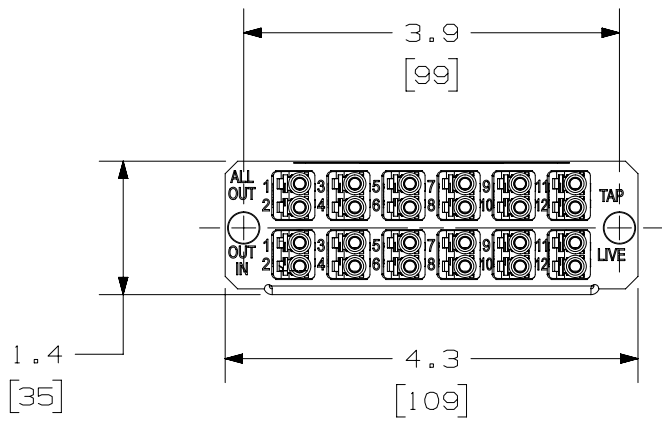
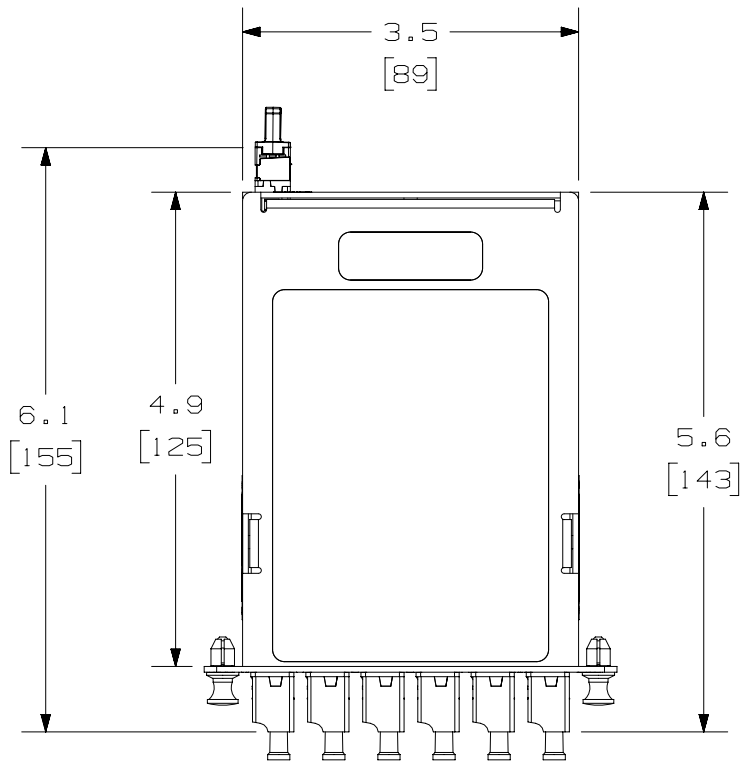
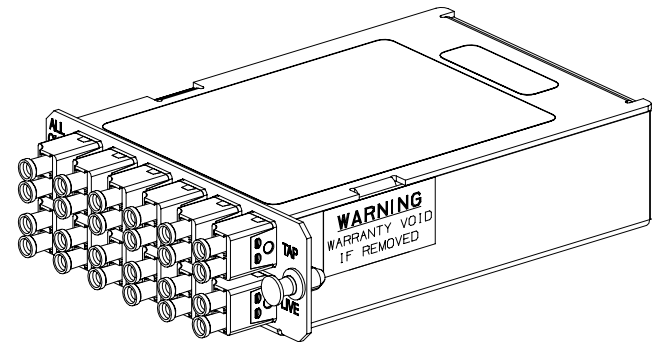


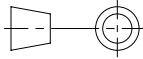
THIS COPY IS PROVIDED ON A RESTRICTED BASIS AND IS NOT TO BE USED IN ANY WAY DETRIMENTAL TO THE INTERESTS OF PANDUIT CORP.



NOTES:

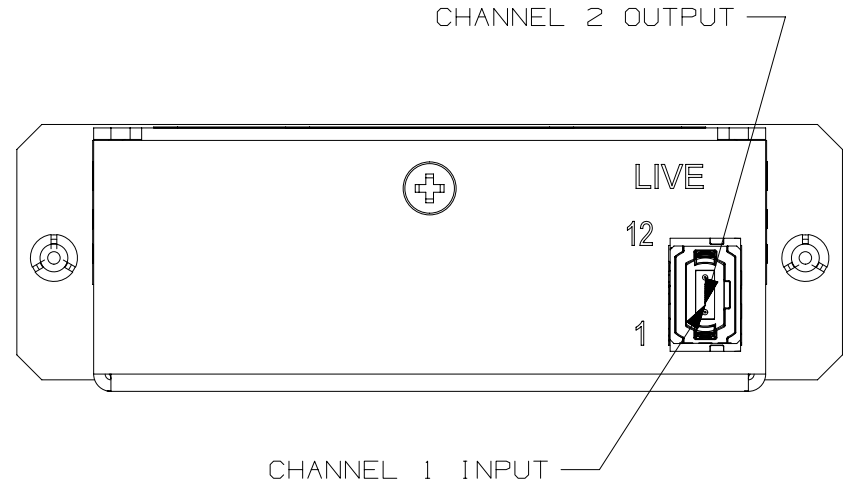
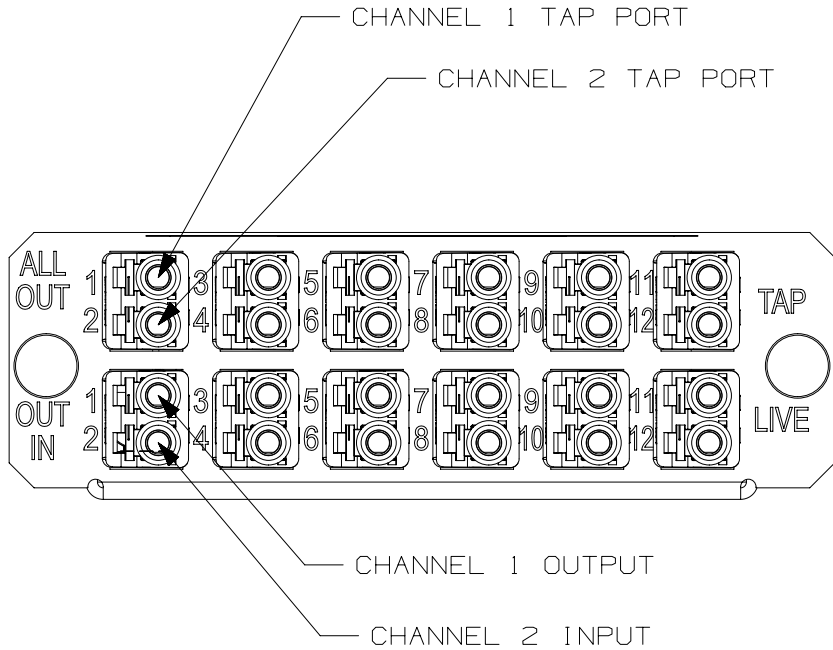
1. SEE CURRENT CATALOG FOR COMPLETE LIST OF PARTS APPLICABLE FOR USE WITH THIS PRODUCT.
2. MATERIALS:
 - A. ENCLOSURE: ALUMINUM
 - B. ADAPTERS: COMPOSITE PLASTIC
3. PART WEIGHT: 7 OZ [200 G]
4. DIMENSIONS IN BRACKETS ARE METRIC [mm]
5. ALL DIMENSIONS ARE FOR REFERENCE ONLY
6. ALL MATERIALS USED MEET THE MATERIAL RESTRICTIONS OF RoHS, (EUROPEAN DIRECTIVE 2011/65/EC ON THE RESTRICTION OF HAZARDOUS SUBSTANCES) AS PROPOSED BY THE RoHS TECHNICAL ADAPTATION COMMITTEE.
7. SEE SHEET 2 FOR PORT MAPPING
8. PART NUMBERS:
 - A. FCT-7ZB - 70/30 FIBER OPTIC 12 CHANNEL OM4 TAP CASSETTE LC TO MPO
9. TOLERANCE: +/-0.03" [0.8]



PART NUMBER		FCT-7ZB		
TITLE				
QuickNet Opticom Fiber Tap Cassette, 12 Channel, OM4, LC to MPO				
CUSTOMER DRAWING				
ITEM REVISION NAME		13F218CS/00		
DATASET FILE NAME		13F218CS_DC/00A		
		THIRD ANGLE PROJECTION		
MATERIAL		N/A		
DRAWING NUMBER		13F218CS-DC		
REV	DATE	BY	CHK	SCALE
00A	12-15-22	SAT/ACAM	JGD	NONE
DESCRIPTION		APR	ECN	SIZE
RELEASED TO PRODUCTION			13F218CS-DS	A
SHEET 1 OF 2				

A-SIZE CUSTOMER

THIS COPY IS PROVIDED ON A RESTRICTED BASIS AND IS NOT TO BE USED IN ANY WAY DETRIMENTAL TO THE INTERESTS OF PANDUIT CORP.



CHANNEL	INPUT PORT	OUTPUT PORT (70%)	TAP PORT (30%)
1	1 LIVE (REAR)	1 LIVE OUT (FRONT)	1 TAP (FRONT)
2	2 LIVE IN (FRONT)	2 LIVE (REAR)	2 TAP (FRONT)
3	3 LIVE (REAR)	3 LIVE OUT (FRONT)	3 TAP (FRONT)
4	4 LIVE IN (FRONT)	4 LIVE (REAR)	4 TAP (FRONT)
5	5 LIVE (REAR)	5 LIVE OUT (FRONT)	5 TAP (FRONT)
6	6 LIVE IN (FRONT)	6 LIVE (REAR)	6 TAP (FRONT)
7	7 LIVE (REAR)	7 LIVE OUT (FRONT)	7 TAP (FRONT)
8	8 LIVE IN (FRONT)	8 LIVE (REAR)	8 TAP (FRONT)
9	9 LIVE (REAR)	9 LIVE OUT (FRONT)	9 TAP (FRONT)
10	10 LIVE IN (FRONT)	10 LIVE (REAR)	10 TAP (FRONT)
11	11 LIVE (REAR)	11 LIVE OUT (FRONT)	11 TAP (FRONT)
12	12 LIVE IN (FRONT)	12 LIVE (REAR)	12 TAP (FRONT)

PART NUMBER		FCT-7ZB	
TITLE			
QuickNet Opticom Fiber Tap Cassette, 12 Channel, OM4, LC to MPO			
CUSTOMER DRAWING			
ITEM REVISION NAME		13F218CS/00	
DATASET FILE NAME		13F218CS_DC/00A	
		THIRD ANGLE PROJECTION	
MATERIAL		N/A	
		DRAWING NUMBER	
		13F218CS-DC	
DRAWN BY	DATE	CHK	SCALE
ACAM	06/16/22	JGD	NONE
SHEET 2 OF 2			SIZE
			A

SEE PAGE 1 FOR REVISION HISTORY

REV	DATE	BY	CHK	APR	DESCRIPTION	ECN