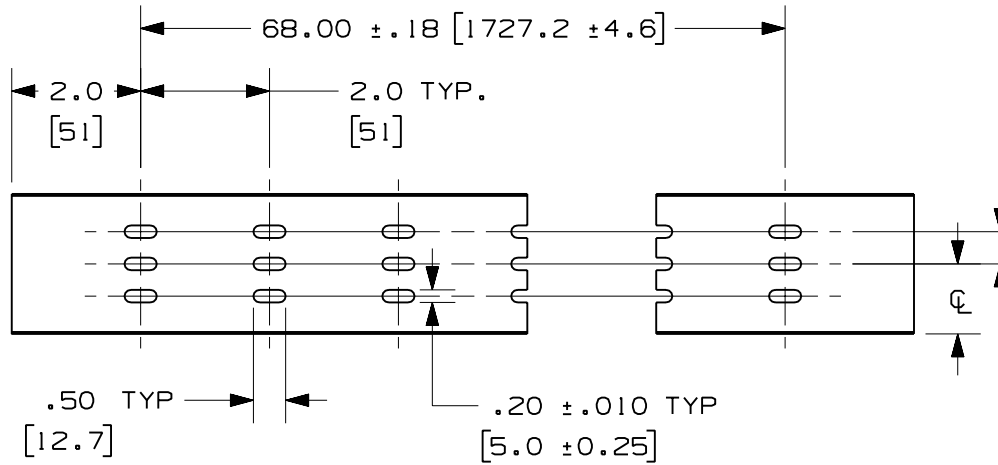
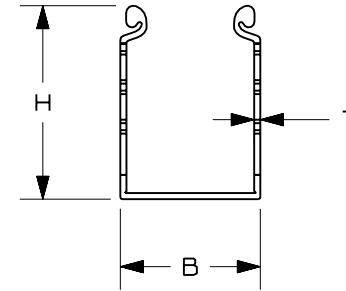
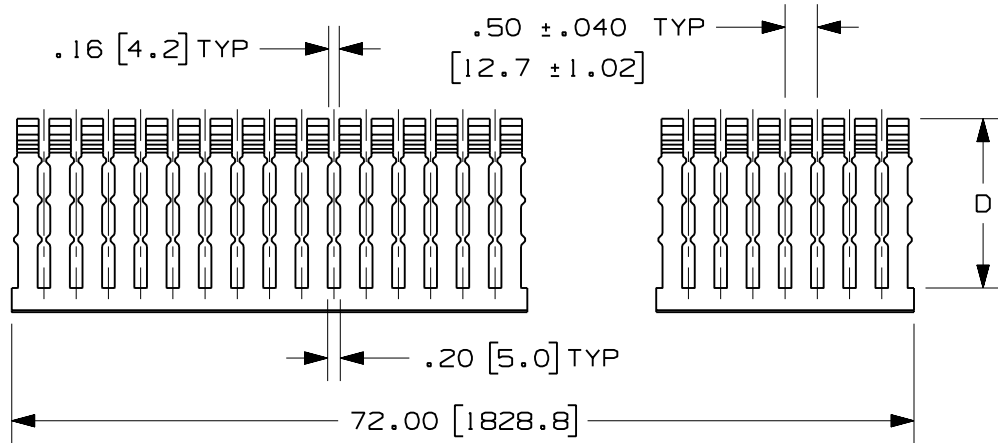


THIS COPY IS PROVIDED ON A RESTRICTED BASIS AND IS NOT TO BE USED IN ANY WAY DETRIMENTAL TO THE INTERESTS OF PANDUIT CORP.



NOTES:

1. "B" IS MEASURED AT BASE
2. STANDARD LENGTH: 6ft. (1.83m)
3. SEE CURRENT CATALOG FOR PART NUMBER DESIGNATIONS FOR TYPE, COLOR, AND LENGTH.
4. DUCT TYPE "HN" TO BE USED WITH TYPE "HC" COVER. (SEE DWG # 38258-05)
5. DIMENSIONS IN PARENTHESES ARE METRIC.
6. SEE DWG 38258-05 FOR SOLID WALL DUCT.

CAD FILENAME/LAYERS D39593AD\_DC\_Type\_HN/00A

PANDUIT CORP. TINLEY PARK, ILLINOIS

WIRING DUCT - TYPE HN DUCT  
CUSTOMER DRAWING

UNLESS OTHERWISE SPECIFIED, DIMENSIONAL TOLERANCES ARE:  
(.X) ± .06 (1.5) (.XXX) ± (.XX) ± .03 (.8) ANGLES ± 5°

UNLESS OTHERWISE SPECIFIED, ALL DIMENSIONS ARE GIVEN IN INCHES, THIRD ANGLE PROJECTION.

DRAWN BY JCST

MAT'L;

SCALE NONE

R	11/14/07	JCST	HIW	DRAWING RELEASED TO PRODUCTION	39593-04	HIW	HIW		
---	----------	------	-----	--------------------------------	----------	-----	-----	--	--

DATE 11/14/07

PVC

DRAWING NO. 39593-04

DWG A

REV	DATE	BY	CHK	DESCRIPTION	ECN	R	CUST	SUP
-----	------	----	-----	-------------	-----	---	------	-----

CHK'D HIW

SHT. 1 OF 2

SIZE

THIS COPY IS PROVIDED ON A RESTRICTED BASIS AND IS NOT TO BE USED IN ANY WAY DETRIMENTAL TO THE INTERESTS OF PANDUIT CORP.

PROFILE DIMENSIONS			
NOMINAL DUCT SIZE (W X H)	B ± .02 (.5)	H ± .02 (.5)	T ± .022 (.55)
1.5 X 2	1.75 [ 44.5 ]	1.92 [ 48.8 ]	.08 [ 2.0 ]
1.5 X 3	1.75 [ 44.5 ]	3.00 [ 76.2 ]	.10 [ 2.5 ]
2 X 2	2.17 [ 55.1 ]	1.92 [ 48.8 ]	.08 [ 2.0 ]
2 X 3	2.17 [ 55.1 ]	3.00 [ 76.2 ]	.10 [ 2.5 ]
2 X 4	2.17 [ 55.1 ]	4.00 [ 101.6 ]	.10 [ 2.5 ]
3 X 3	3.25 [ 82.8 ]	3.00 [ 76.2 ]	.10 [ 2.5 ]
3 X 4	3.25 [ 82.8 ]	4.00 [ 101.6 ]	.11 [ 2.8 ]
4 X 4	4.25 [ 108.0 ]	4.00 [ 101.6 ]	.11 [ 2.8 ]

SLOT DIMENSIONS	
NOMINAL DUCT HEIGHT	D
2	1.55 [ 39.4 ]
3	2.63 [ 66.8 ]
4	3.63 [ 92.2 ]

MOUNTING HOLE DIMENSIONS	
NOMINAL DUCT WIDTH	K
1.5	-----
2	.50 ± .01 [ 12.7 ± .25 ]
3	1.00 ± .01 [ 25.4 ± .25 ]
4	1.50 ± .01 [ 38.1 ± .25 ]

											CAD FILENAME/LAYERS		D39593AD_DC_Type_HN/00A					
											<p style="text-align: center; font-size: 2em; margin: 0;">PANDUIT</p> <p style="text-align: right; margin: 0;">CORP. TINLEY PARK, ILLINOIS</p> <p style="text-align: center; margin: 0;">WIRING DUCT - TYPE HN DUCT CUSTOMER DRAWING</p>							
															UNLESS OTHERWISE SPECIFIED, DIMENSIONAL TOLERANCES ARE: (.X) ± .06 (1.5) (.XXX) ± (.XX) ± .03 (.8) ANGLES ± 5 °		UNLESS OTHERWISE SPECIFIED, ALL DIMENSIONS ARE GIVEN IN INCHES, THIRD ANGLE PROJECTION.	
															DRAWN BY JCST DATE 11/14/07 CHK'D HIW	MAT'L;  PVC		SCALE NONE DRAWING NO. 39593-04 SHT. 2 OF 2
R	11/14/07	JCST	HIW	SEE SHT 1 OF 2	39593-04	HIW	HIW											
REV	DATE	BY	CHK	DESCRIPTION	ECN	R	CUST	SUP										