

# Mini-Com™ Category 6A JIS Adapter Kits

Japan

## SPECIFICATIONS

Mini-Com JIS Adapter Kits shall be available empty and kitted. Adapter kits shall include Category 6A TG style jack module and shall be compatible with standard JIS plates. Kits shall include a spring shuttered door and shall be available in five colours. JIS adapter kit shall include LAN/Category 6A print above the shuttered door. Optional 45° angled termination cap shall be available to improve cable routing in confined spaces. Empty adapters shall be available in various configurations to accommodate most needs.



## TECHNICAL INFORMATION

<b>Category 6A/Class E channel and component performance:</b>	Certified channel performance in a 4-connector configuration up to 100m and exceeds the requirements of ANSI/TIA-568.2-D Category 6A and ISO 11801 Class EA standards swept up to 650 MHz for supporting 10GBASE-T transmission over twisted-pair cabling systems as part of the TX6A™ 10Gig UTP Copper Cabling System Exceeds component requirements of ANSI/TIA-568.2-D Category 6A and ISO 11801 Class EA standards for supporting 10GBASE-T transmission over twisted-pair cabling systems
<b>FCC and ANSI compliance:</b>	Meets all applicable ANSI/TIA-1096-A requirements; contacts plated with 50 micro inches of gold for superior performance
<b>IEC compliance:</b>	Meets IEC 60603-7 and IEC 60512-99-001
<b>UL Rated:</b>	UL1863 (Use as communications circuit accessory) UL 2043 (Suitable for use in air-handling spaces)
<b>RoHS compliance:</b>	Compliant
<b>PoE &amp; PoH compliance:</b>	Rated for 2500 cycles with IEEE 802.3af/802.3at and proposed 802.3bt type 3 and type 4. Supports Power over HDBase T up to 100 watts
<b>Adapter material:</b>	Milk White and Off White are ABS and Blue, Green, Red, and Yellow are Polycarbonate
<b>Operating temperature:</b>	-10°C to 75°C (14°F to 167°F)
<b>Conductor termination range:</b>	Wire cap compatible with 22 – 26 AWG solid or stranded cable with conductor insulation diameters of (1.52 mm) 0.060 in. max and overall cable O.D. 5.08mm - 8.38mm (0.200 in. - 0.330 in.)

## KEY FEATURES AND BENEFITS

<b>Modular:</b>	Empty adapters accept most Mini-Com Modules for easy moves, adds and changes
<b>Low Profile design:</b>	Mounts flush with faceplate
<b>Shuttered feature:</b>	Protects connection from dust and debris when not in use
<b>Colour option:</b>	Ability to colour code installations
<b>Mounting option:</b>	Easy “snap-in” feature

## APPLICATIONS

Mini-Com JIS Adapters are designed to snap into standard JIS faceplates which are typically mounted to any standard size single or double gang junction box or wallboard adapters. JIS adapters are offered with print or without print. The printed adapters offer a quick and easy way to identify the category installed.

The adapters without print are ideal when using a variety of Mini-Com Modules and can be easily identified with adhesive labeling. Spring shuttered doors will protect connections from dust and debris. Adapters without doors will accommodate modules such as Audio/Video or fiber modules which extend beyond the opening of the adapter.

### Mini-Com Category 6A JIS Adapters kitted with Category 6A TG Jack

<b>Clear door:</b>	JASSP6ATGIW
<b>Opaque door:</b>	JAOSSP6ATG^^

### Empty Adapters with Spring Shuttered Doors (with print)

<b>Clear door:</b>	CMASSP6AIW-X
<b>Opaque door:</b>	CMAOSSP6AMW-X

### Empty Adapters (without print)

<b>Without door:</b>	CMAIW-X
<b>With doors:</b>	CMAOSS^^-X

### 45° Angle Caps\*

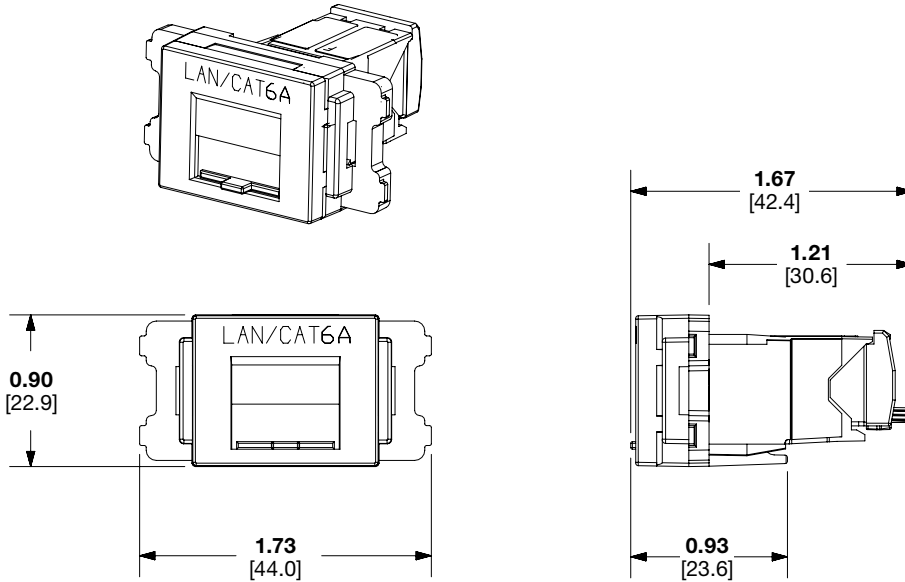
<b>Up/Down:</b>	CJUDCAPBU-X
<b>Left/Right:</b>	CJLRCAPBU-X

^^Colours: BU (Blue), GR (Green), MW (Milky White), RD (Red), and YL (Yellow)

\*Recommended for tight spaces where cable bend radius is a concern  
-X indicates 10 pieces per package to reduce single-use plastic

# Mini-Com™ Category 6A JIS Adapter Kits

## ENGINEERING DRAWING



View shown with a CAT 6A Jack Module Installed

Dimensions are in inches. [Dimensions in brackets are metric].

### WORLDWIDE SUBSIDIARIES AND SALES OFFICES

PANDUIT US/CANADA  
Phone: 800.777.3300

PANDUIT EUROPE LTD.  
London, UK  
Phone: 44.20.8601.7200

PANDUIT SINGAPORE PTE. LTD.  
Republic of Singapore  
Phone: 65.6305.7575

PANDUIT JAPAN  
Tokyo, Japan  
Phone: 81.3.6863.6000

PANDUIT LATIN AMERICA  
Guadalajara, Mexico  
Phone: 52.33.3777.6000

PANDUIT AUSTRALIA PTY. LTD.  
Victoria, Australia  
Phone: 61.3.9794.9020

For a copy of Panduit product warranties, log on to [www.panduit.com/warranty](http://www.panduit.com/warranty)



For more information  
Visit us at [www.panduit.com](http://www.panduit.com)  
Contact Customer Service by email: [cs@panduit.com](mailto:cs@panduit.com)  
or by phone: 800.777.3300

©2024 Panduit Corp.  
ALL RIGHTS RESERVED.  
COSP593-WW-ENG  
4/2024