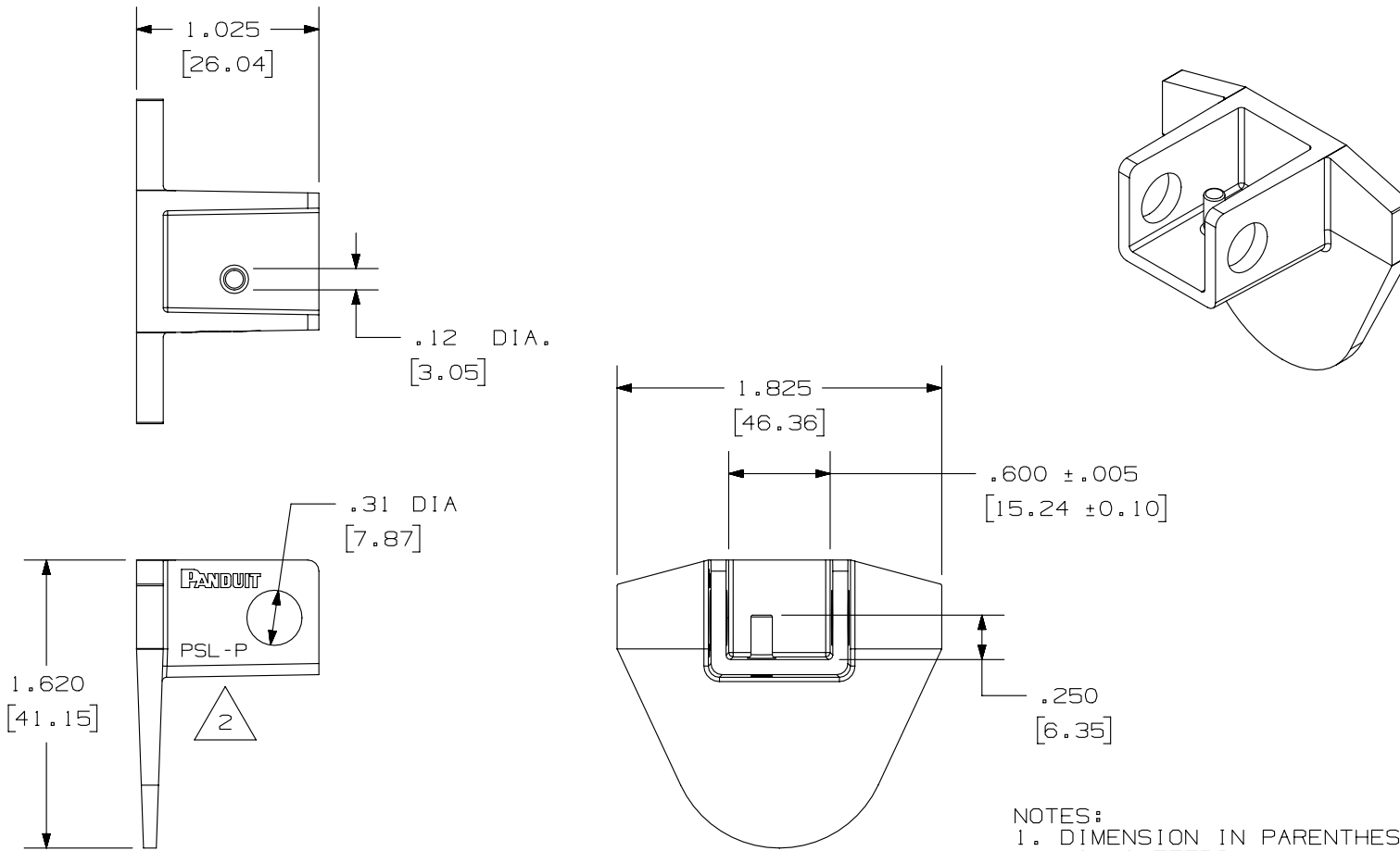


THIS COPY IS PROVIDED ON A RESTRICTED BASIS AND IS NOT TO BE USED IN ANY WAY DETRIMENTAL TO THE INTERESTS OF PANDUIT CORP.



REV	DATE	BY	CHK	APR	DESCRIPTION	ECN
2	8/14/14	RVU	MJPF	MSAD	ADD PANDUIT LOGO AND PART NUMBER TEXT ON PART.	GAECN02249
1	9/8/05	RVU	DWY		ADDED NOTE 1.	4164
R	10/8/03	RVU	DWY		DRAWING RELEASE.	2965

TITLE						PSL-P PLUG LOCKOUT	
ITEM REVISION NAME						CUSTOMER DRAWING	
DATASET FILE NAME						PANDUIT	
UNLESS OTHERWISE SPECIFIED, DIMENSIONAL TOLERANCES ARE: IN [mm]						MATERIAL:	
.X ±						RED	
.XX ±						POLYCARBONATE	
.XXX ±						DRAWING NUMBER:	
ANGLES ±						C10083	
THIRD ANGLE PROJECTION							
DRAWN BY	DATE	CHK	SCALE			SHT 1 OF 1	SIZE
RVU	10/8/03	MSAD	NTS				A