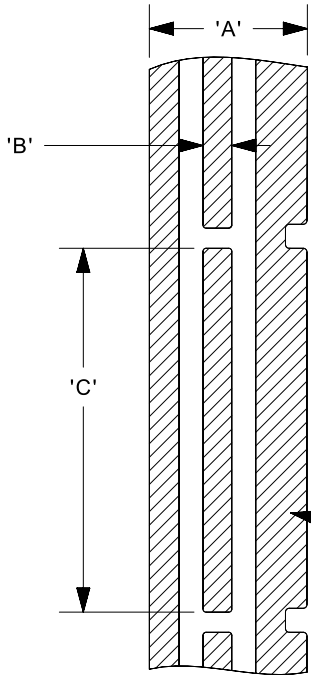
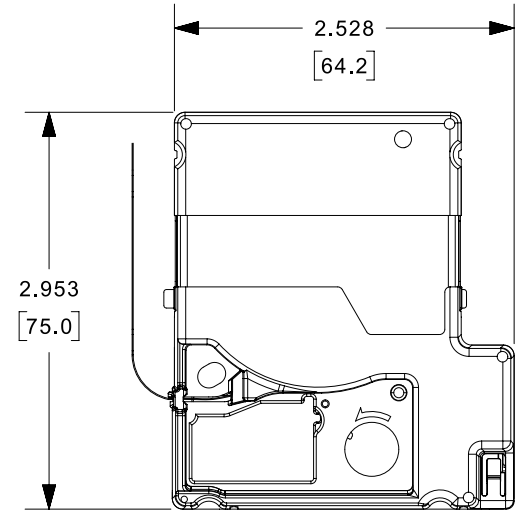
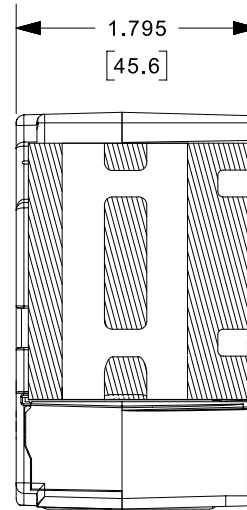


THIS COPY IS PROVIDED ON A RESTRICTED BASIS AND IS NOT TO BE USED IN ANY WAY DETRIMENTAL TO THE INTERESTS OF PANDUIT CORP.



SHADOW AREA HAS SUBSTRATE REMAIN ON TOP OF THE LINER.



PART NO.	MATERIAL	COLOR	'A'	'B'	'C'	CASSETTE LABELS PER ROLL	COMPATIBLE PRNTERS
C252X030FJM	GMPO4	WHITE	1.646 [41.81]	0.30 [7.6]	2.52 [64.0]	110	MP300
C379X030FJM					3.79 [96.3]	60	
C061X030FJM					0.61 [15.5]	370	
C125X030FJM					1.25 [31.7]	210	

NOTE:
1. MILLIMETER ARE IN [].

TITLE MP NETWORK COMPONENT LABELS	
CUSTOMER DRAWING	
ITEM REVISION NAME 100743XR/00	PANDUIT
DATASET FILE NAME 100743XR_DC/00A CUST DWG	
UNLESS OTHERWISE SPECIFIED, DIMENSIONAL TOLERANCES ARE: IN [mm] .x ± .1 [2.54] .xxx ± .025 [.635] .xx ± .05 [1.27] ANGLES ±	
MATERIAL: SEE TABLE	
DRAWING NUMBER: 100743XR_DC	
THIRD ANGLE PROJECTION	
DRAWN BY RVU	DATE 10/13/2023
CHK MSAD	SCALE NTS
SHT 1 OF 1	
SIZE A	

REV	DATE	BY	CHK	APR	DESCRIPTION	ECN
00A	10/13/2023	RVU	JSUN	MSAD	DRAWING RELEASE.	GAECN04946

D10100DA/20