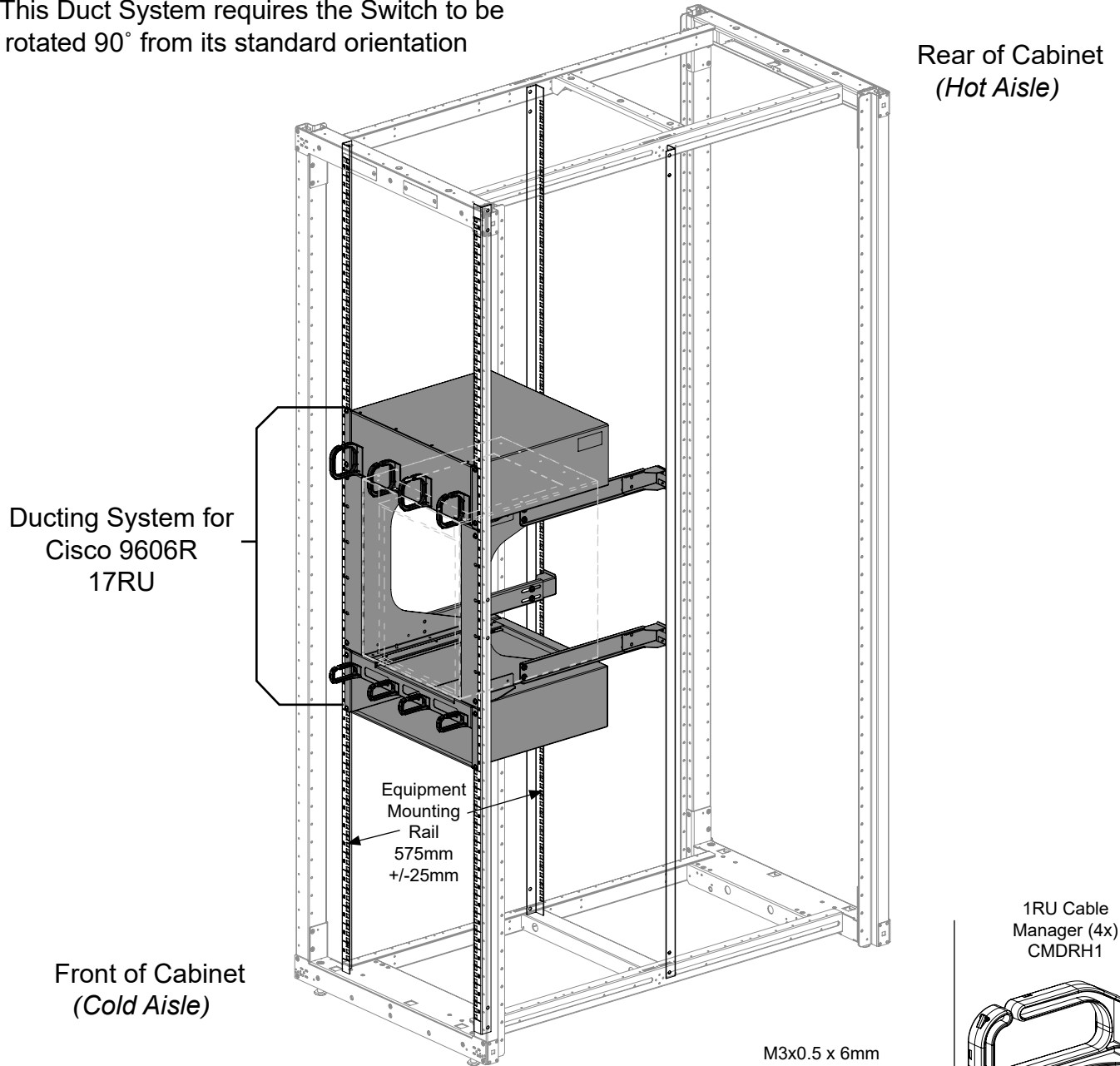
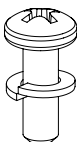


**NOTE:** This Duct System requires the Switch to be rotated 90° from its standard orientation

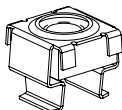


## Hardware Included

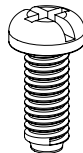
M4 x 0.7 x 12mm Pan Head Phillips Screw W/Split Lock Washer 8x



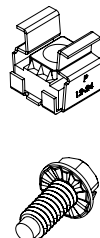
M6 x 1 Cage Nut 25x



M6 x 1 x 15mm Round Head Screw 25x



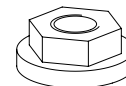
#12-24 Bonding Cage Nut Kit 4 of each



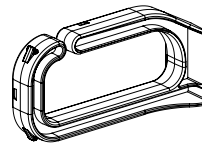
M3x0.5 x 6mm Flat Head Screw 6x



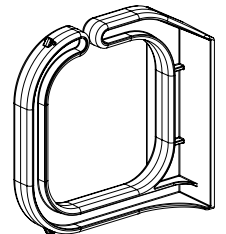
M6 Serrated FLANGE Hex Nut 16x



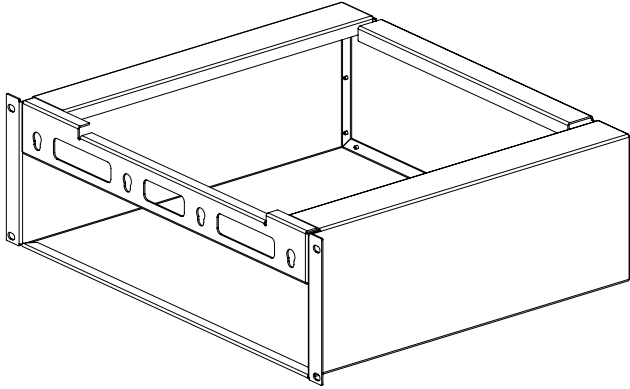
1RU Cable Manager (4x) CMDRH1



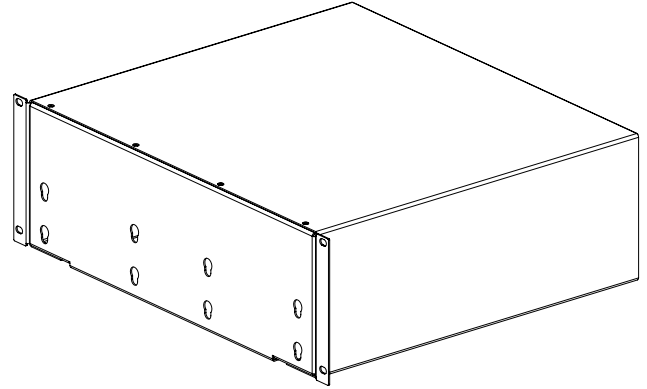
2RU Cable Manager (4x) CMDRH2



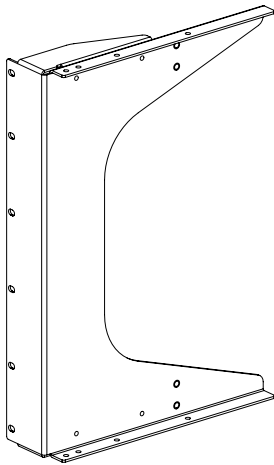
Component Guide



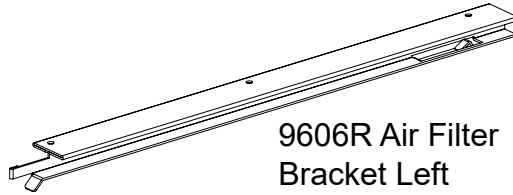
Inlet Duct



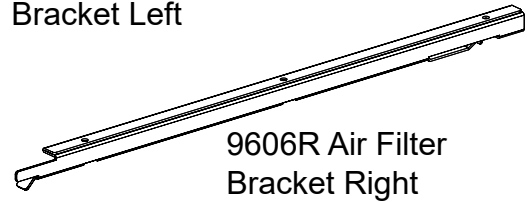
Exhaust Duct



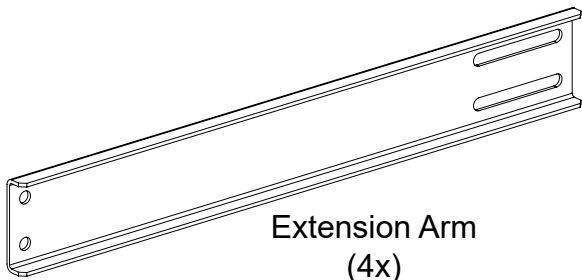
Vertical Mounting Bracket  
(2x)



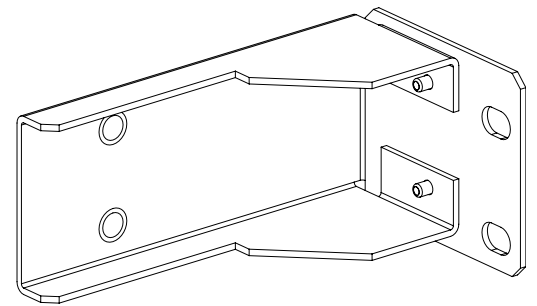
9606R Air Filter  
Bracket Left



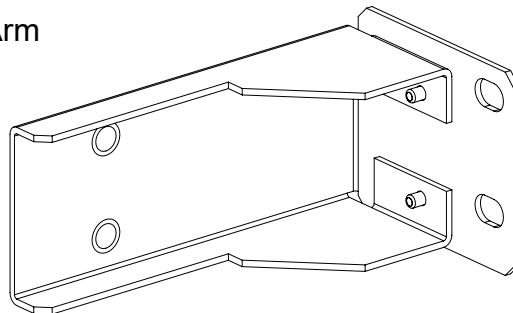
9606R Air Filter  
Bracket Right



Extension Arm  
(4x)



Adjustable Bracket Left Top  
(LT) & Right Bottom (RB) (2x)



Adjustable Bracket Right Top  
(RT) & Left Bottom (LB) (2x)

1.0 **Preparation**

1.1 **17RU Open Space Required**

- Installation of the Switch, Bottom Inlet Duct, and Top Exhaust Duct requires 17RU. This space must be open prior to Switch Installation (Figure 1).

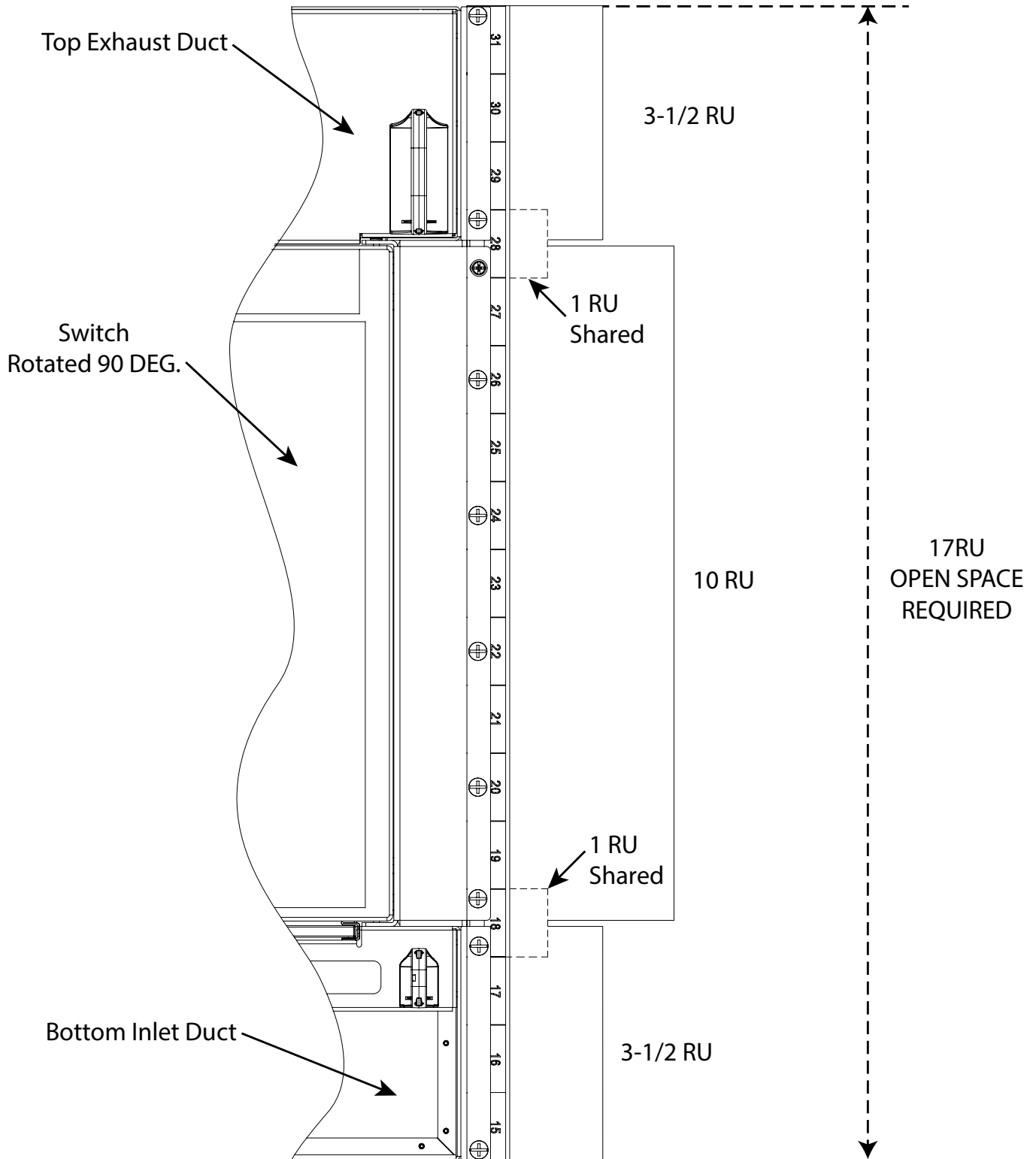
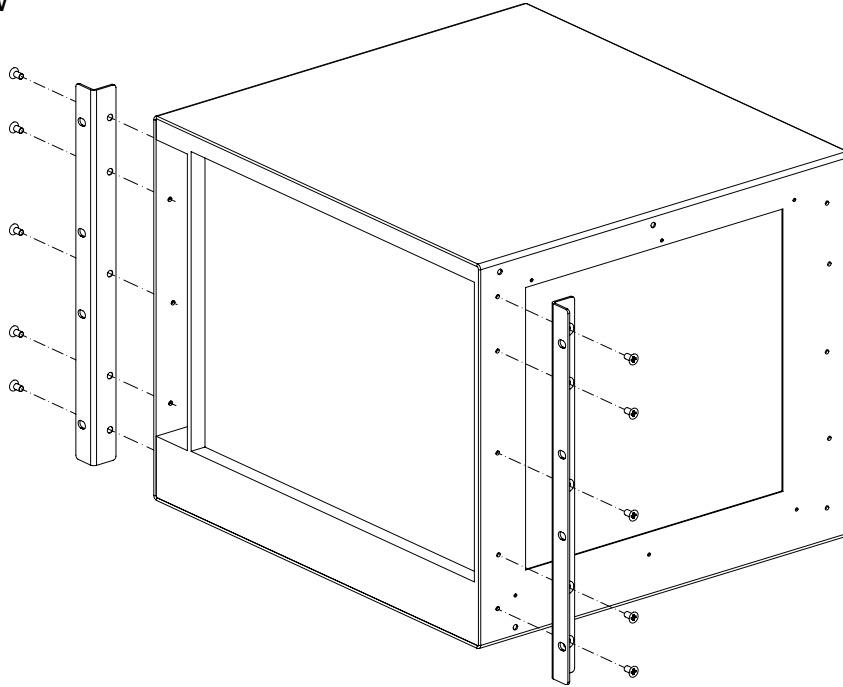


Figure 1

## 2.0 Chassis Installation

### 2.1 Remove Mounting Ears

- Shown below



### 2.2 Vertical Mounting Bracket Installation

- Rotate Cisco 9606R 90 degrees counterclockwise. Fan Tray should be at top (Figure 2).
- Use M4 x 12mm (qty. 8) Pan Head Screws and (qty. 8) M4 Lock Washers for attaching Vertical Mounting Brackets (Figure 3).

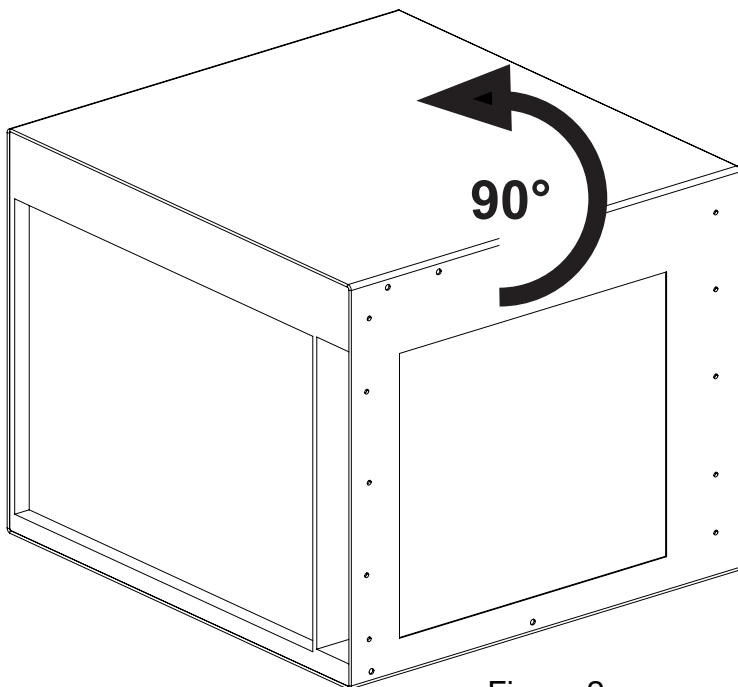


Figure 2

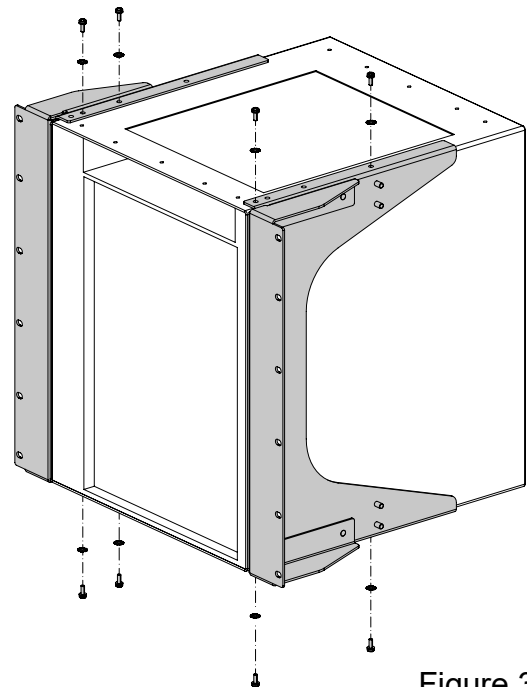
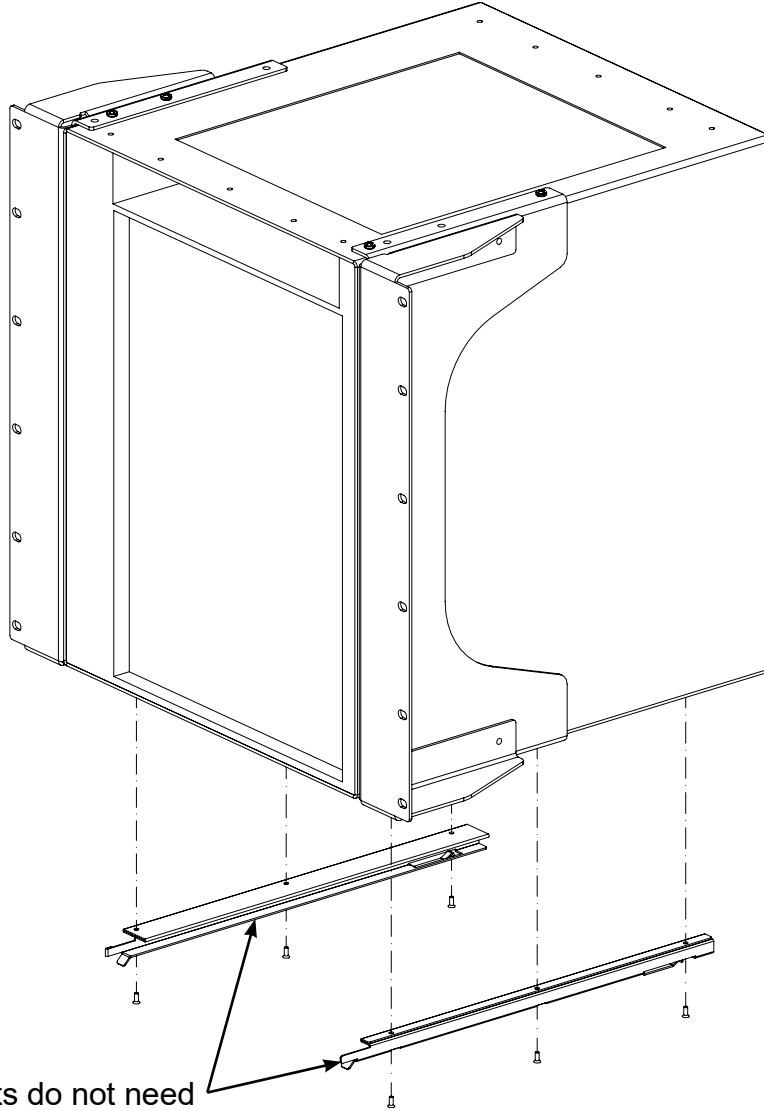


Figure 3

### 2.3 **Optional Filter Bracket Installation**

- Use M3 x 6mm (qty. 6) Flat Head Screws for attaching 9606R Air Filter Brackets (Figure 4).



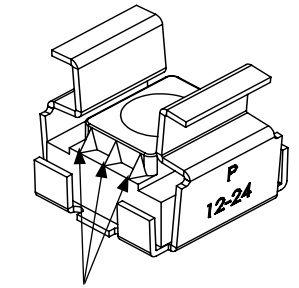
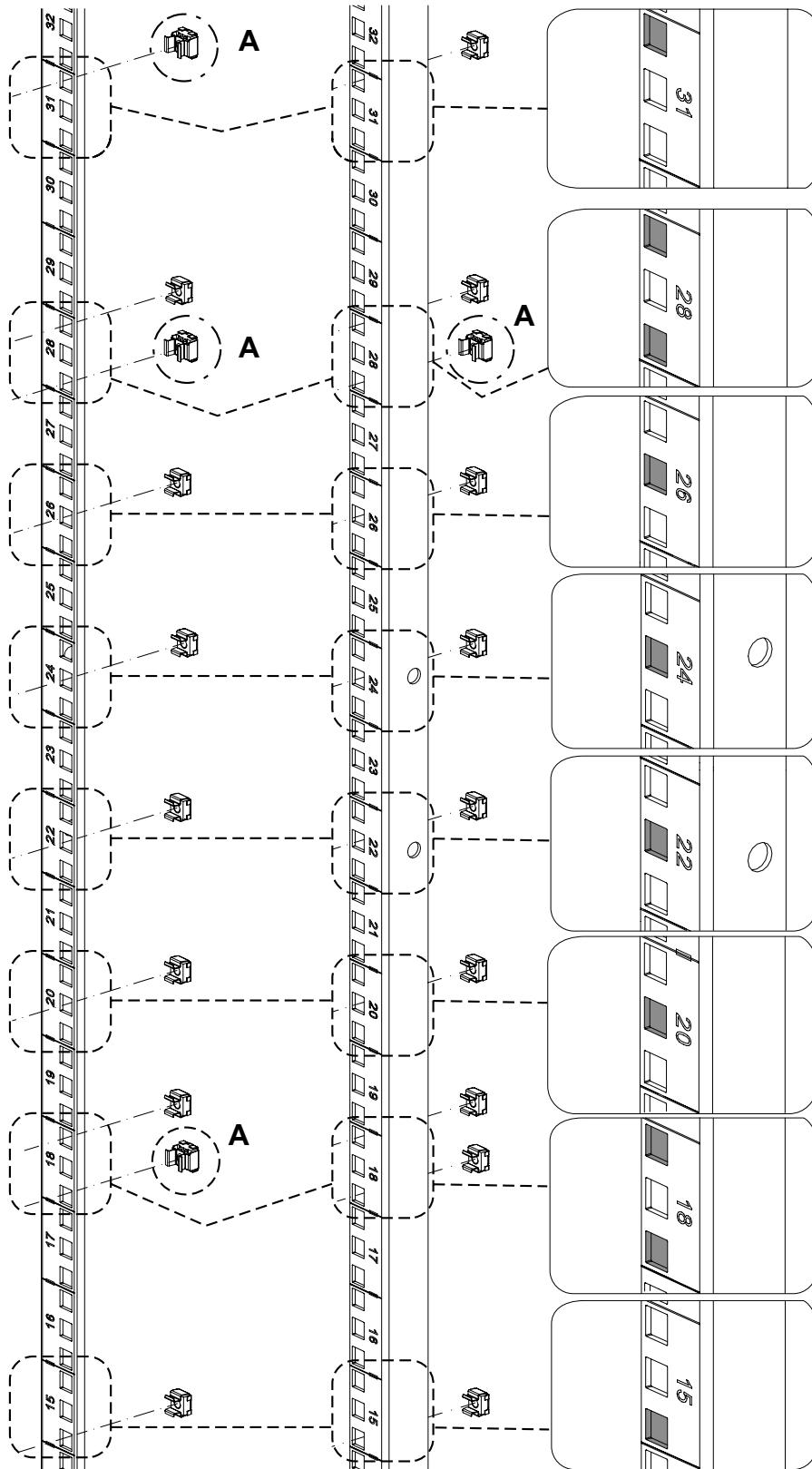
Note: Filter Brackets do not need to be installed if NEBS-Compliant Air Filter will not be utilized

Figure 4

\* Additional NEBS-Compliant information can be found at [www.cisco.com](http://www.cisco.com)  
(Cisco Catalyst 9600 Series Switches Hardware Installation Guide)

### 2.4 Cage Nut Installation

- Install (qty. 4) Bonding Cage Nuts Labeled A.
- Install (qty.16) M6 Cage Nuts In Locations (Figure 5).

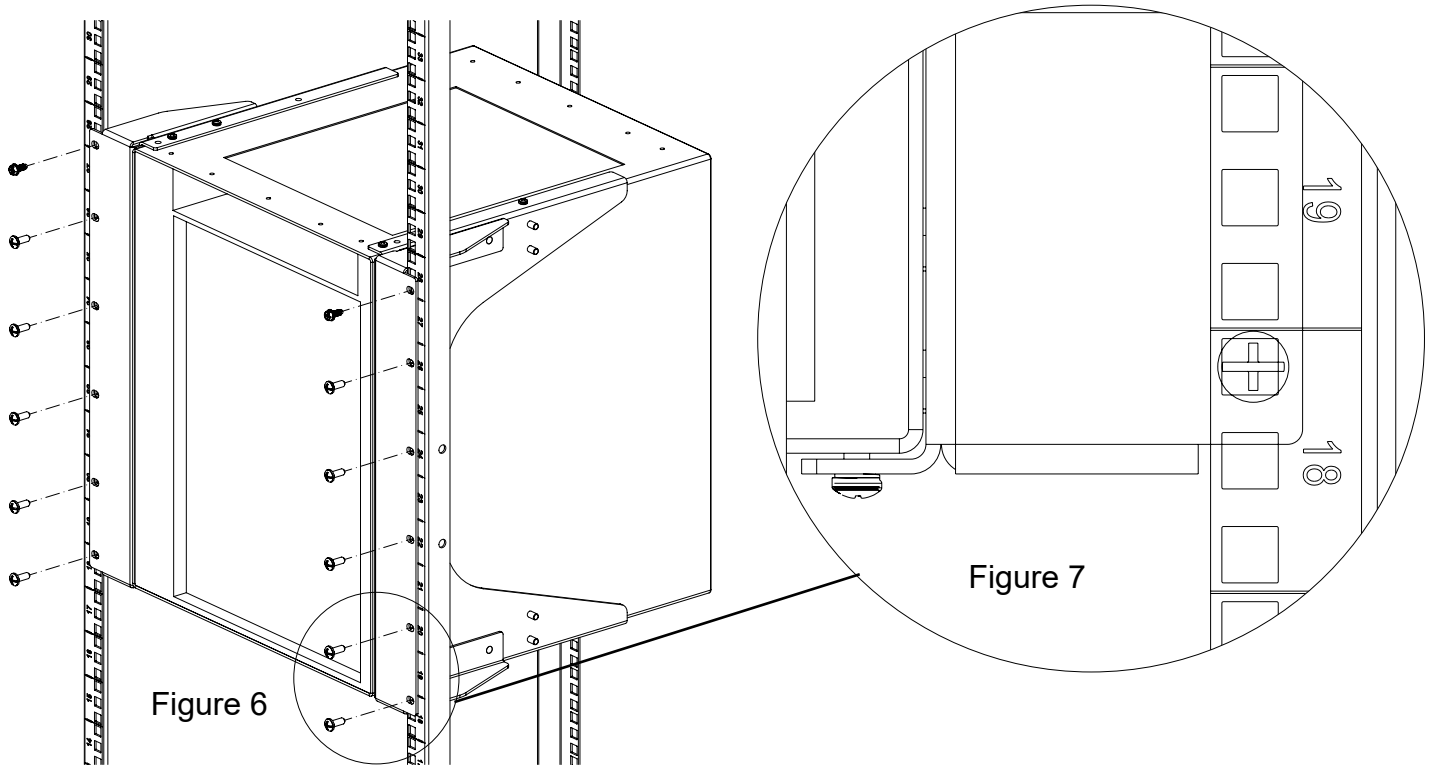


The four #12-24 Bonding Cage Nuts must be installed as shown below labeled A. Note: The Bonding Cage Nuts have 3 serrations on either side.

Figure 5

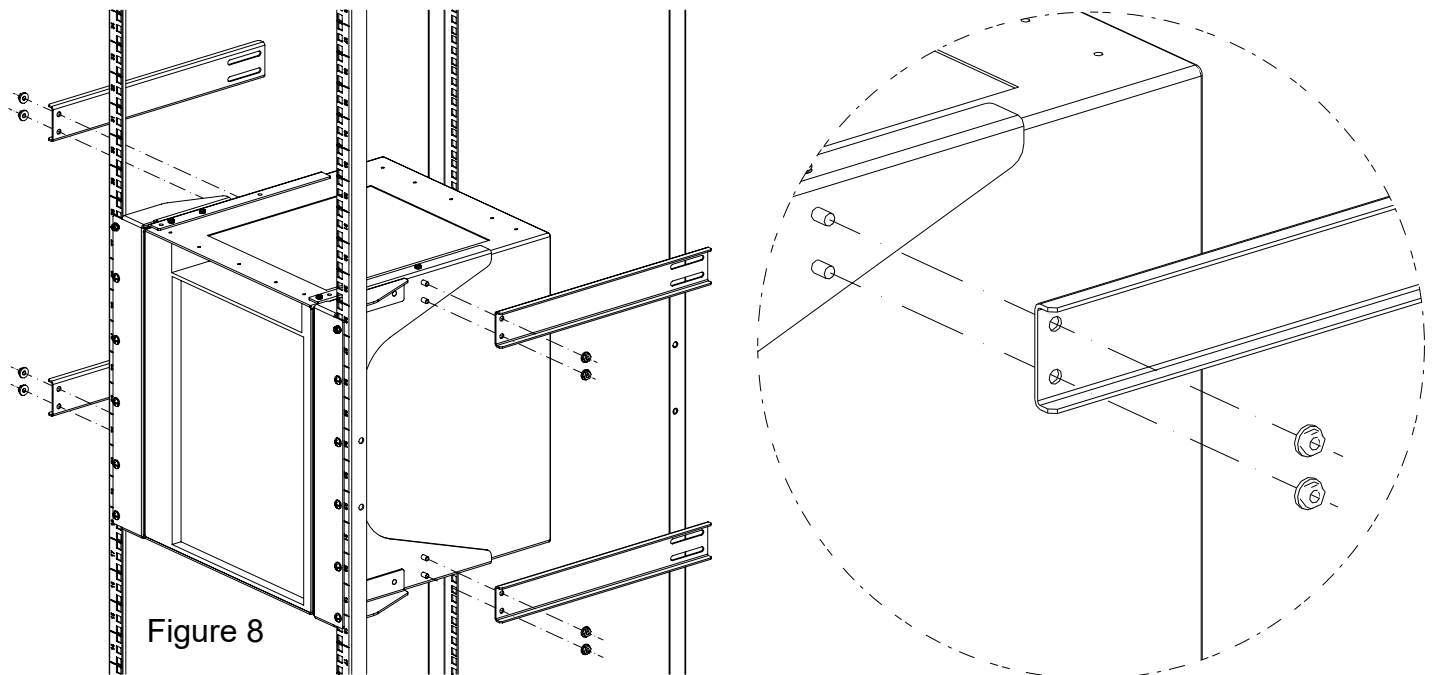
## 2.5 Vertical Mount Chassis Installation into Rack

- Note: Cisco Switch must rotate 90 degrees counterclockwise for installation. The Fan Tray will be at the top of the assembly.
- Bottom hole of Vertical Mounting Bracket installs into top hole of RU (Figures 6 & 7).



## 2.6 Extension Arm Installation

- Using the M6 Nuts provided, mount the Extension Arms to the Vertical Mounting Bracket (Figure 8).
- Note: ***DO NOT*** fully tighten Nuts at this point



## 2.7 Adjustable Bracket Installation

- Identify the two different Adjustable brackets. One is used for the top right and bottom left locations (Figures 9 & 9A). The other is used for the bottom right and top left positions (Figures 10 & 10A).
- Using the M6 Nuts provided, mount the Adjustable Brackets to the Extension Arms (Figure 11).
- The mounting location of the top slot of the Adjustable Bracket is in the same location of the Chassis Vertical Mounting Bracket (Figure 11).
- Secure the Brackets in place. Also, **TIGHTEN** all the M6 Nuts to the Extension Arms.

The mounting point of the Top Adjustable Bracket is at the same location as the Chassis Vertical Mounting Bracket.

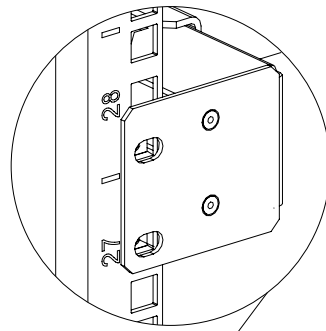


Figure 10A

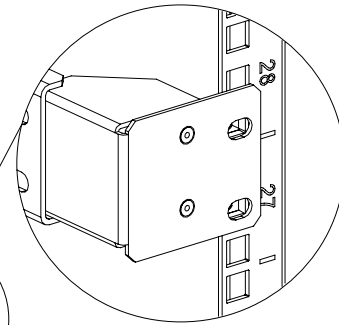


Figure 9A

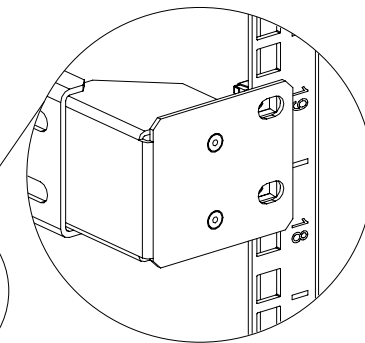
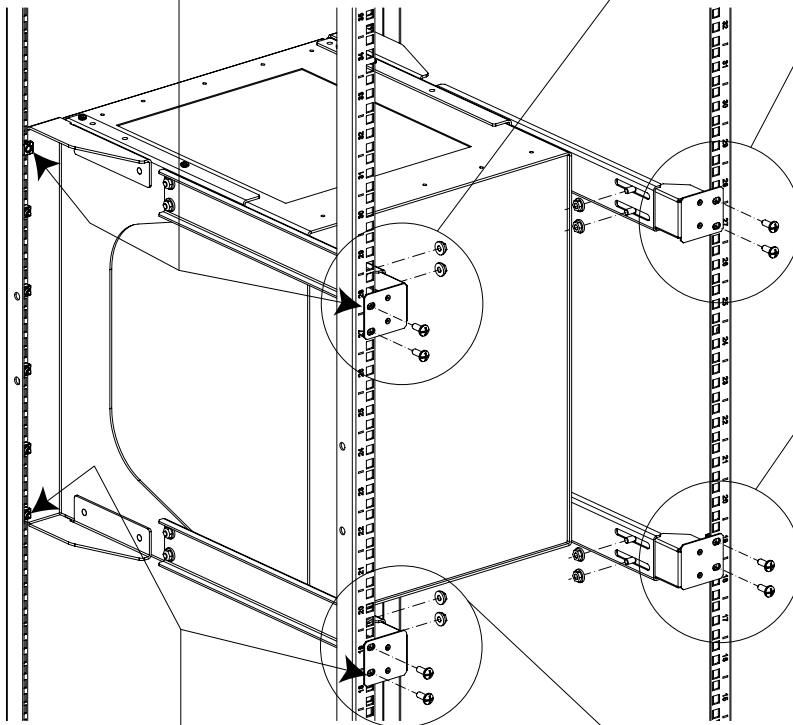


Figure 10



The mounting point of the Bottom Adjustable Bracket is at the same location as the Chassis Vertical Mounting Bracket.

Figure 11

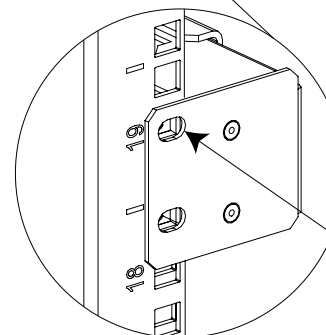


Figure 9

Note: The top slot location relative to the top of the part (Figures 9, 9A, 10 & 10A)



### 3.0 **Inlet Duct Installation into Rack**

- Inlet Duct is installed directly underneath Chassis (Figures 12 & 13).

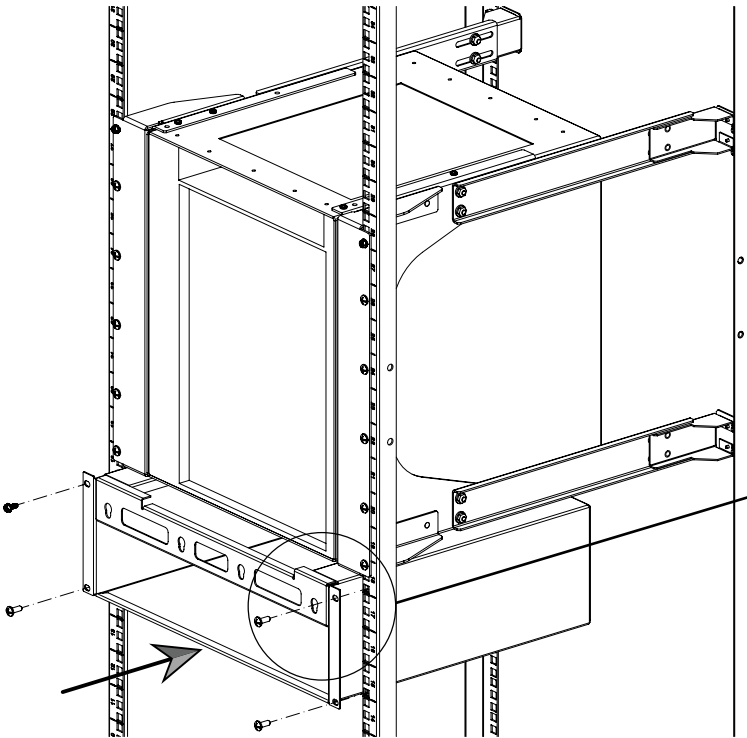


Figure 12

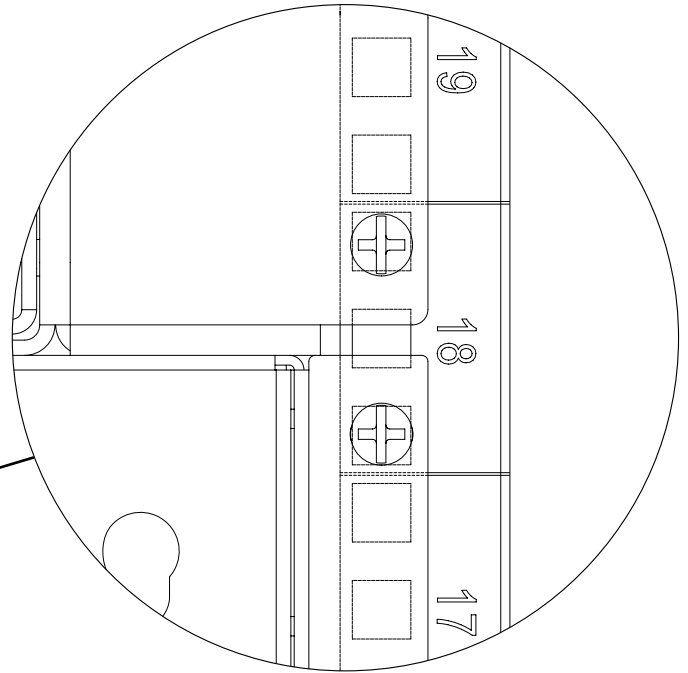


Figure 13

### 4.0 **Exhaust Duct Installation into Rack**

- Exhaust Duct is installed directly above Chassis (Figures 14 & 15).

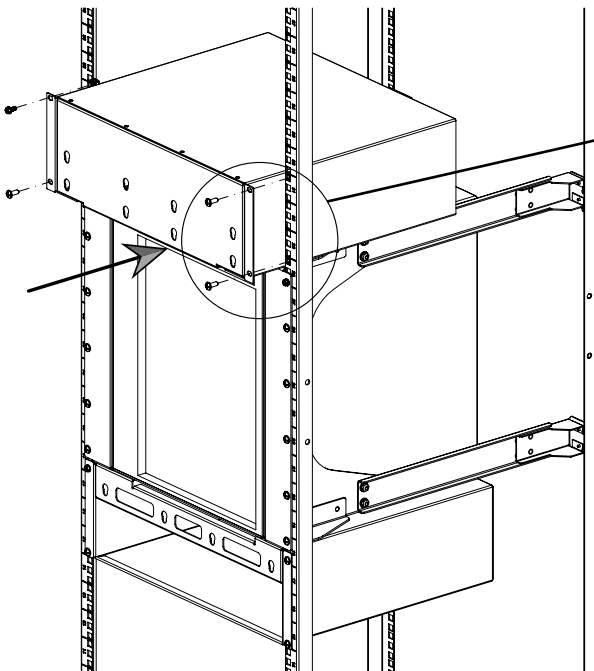


Figure 14

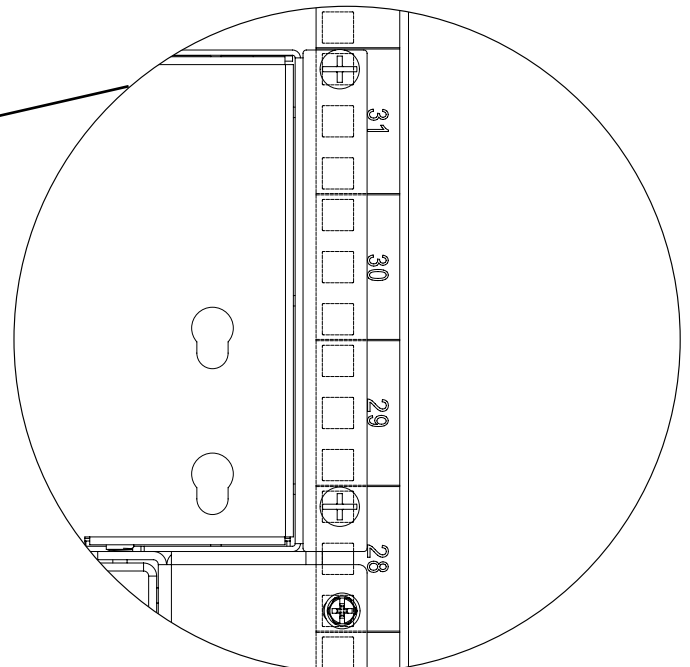


Figure 15

## 5.0 Cable Manager Installation

- Cable Managers are inserted into Keyholes and pushed downward to lock into place (Figure 16).

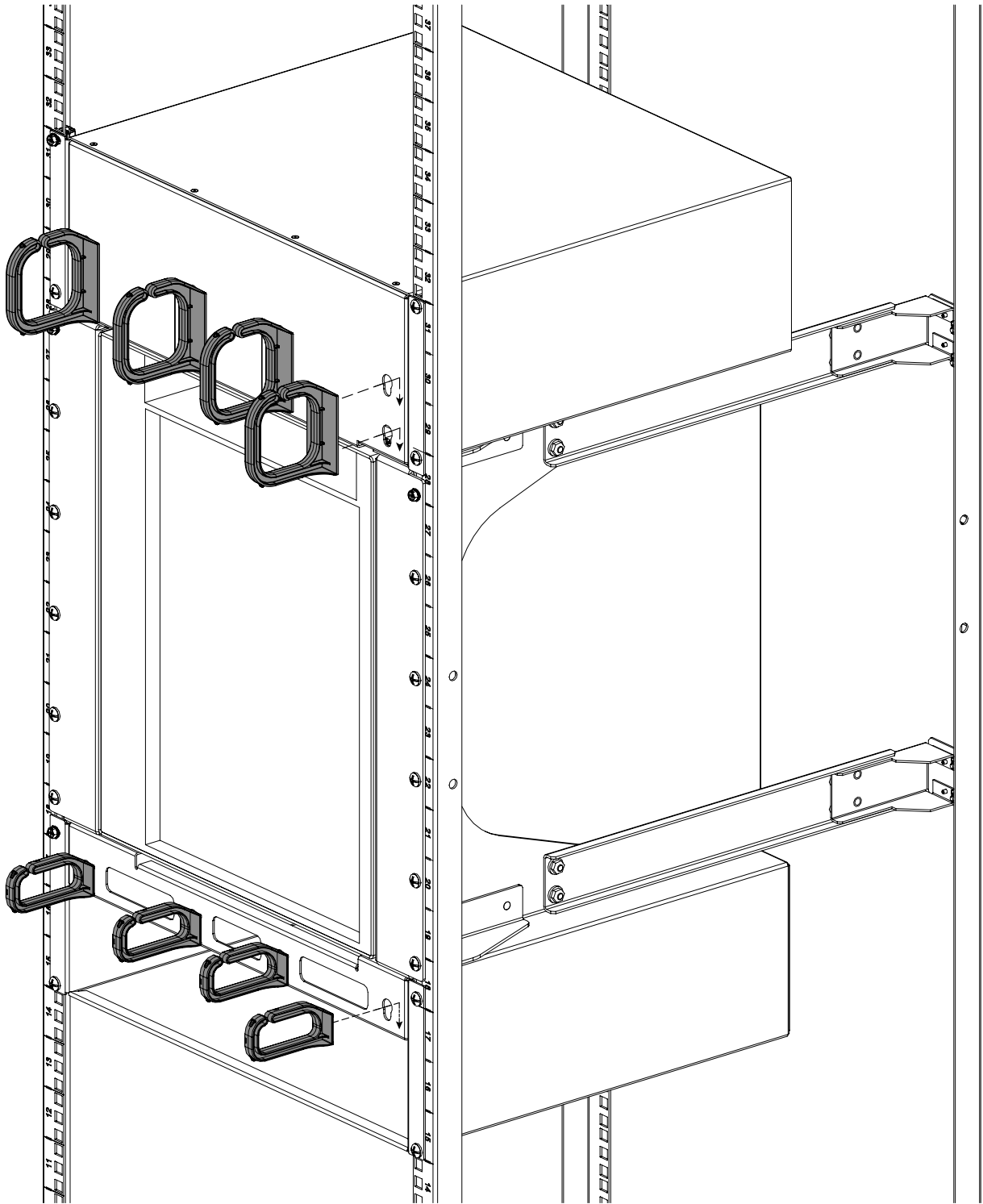


Figure 16

For Instructions in Local Languages  
and Technical Support:

[www.panduit.com/resources/install\\_maintain.asp](http://www.panduit.com/resources/install_maintain.asp)

**PANDUIT**  
www.panduit.com

E-mail:  
[techsupport@panduit.com](mailto:techsupport@panduit.com)

Phone:  
866-405-6654