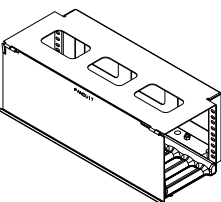
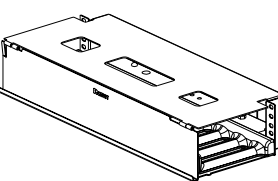


INSTRUCTIONS CM273A

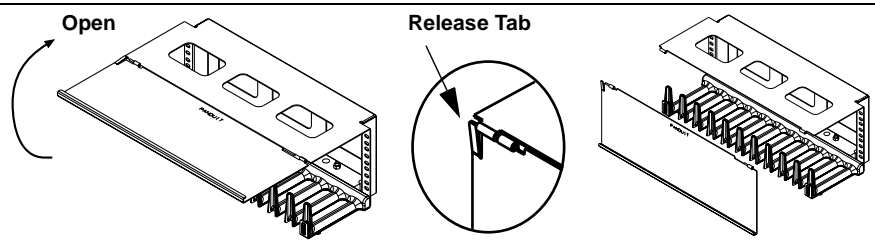
© Panduit Corp. 2003



NCMHAEF4



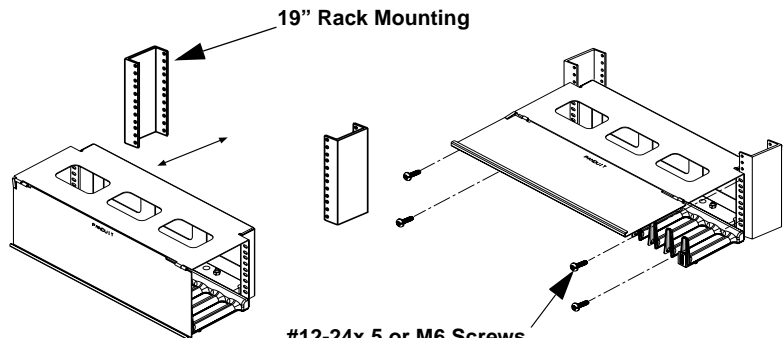
NCMHAEF2



Open **Release Tab**

To remove hinged cover, deflect the release tab and slide the door off the hinges.
Note: Cable tie on fingers is for packaging only.

MANAGER		UTP Cable .187" Dia
NCMHAEF4	Method 1	480
	Method 2	288
NCMHAEF2	Method 1	240
	Method 2	144



19" Rack Mounting

#12-24x.5 or M6 Screws

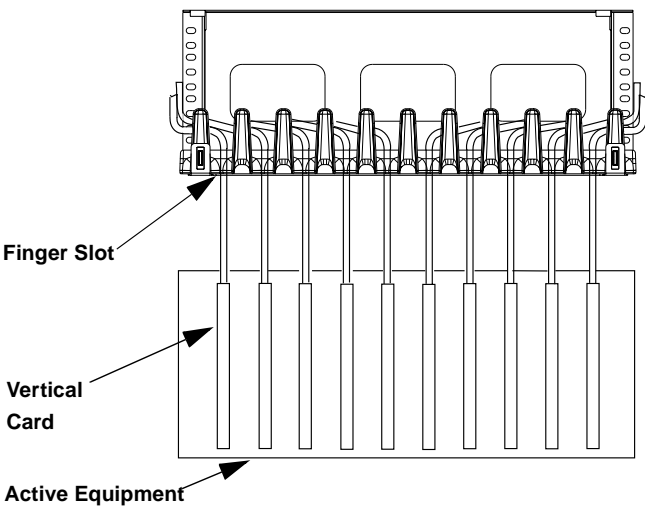
Use screws (provided) to mount on a 19" rack **above** the active equipment.

When routing the cables from the active equipment up to the manager, either of the following two methods is recommended to help maintain cable bend radius.

METHOD 1: Route half of the cables from the active equipment cards vertically through the manager fingers slots, then horizontally into the vertical pathway. Repeat process for the other half of the cables routing them in the opposite direction.

METHOD 2: Route all cables in one direction from the cards vertically through the manager fingers slots, then horizontally into the vertical pathway.

METHOD 1

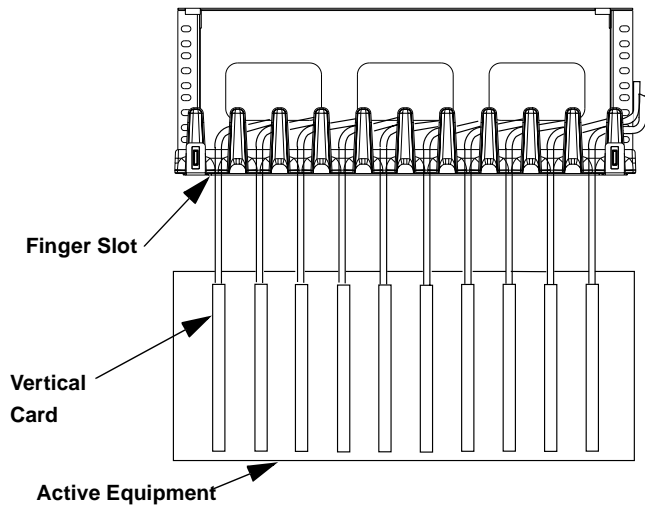


Finger Slot

Vertical Card

Active Equipment

METHOD 2



Finger Slot

Vertical Card

Active Equipment