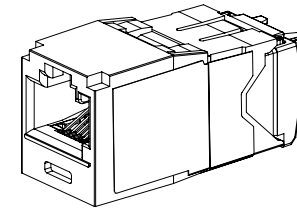
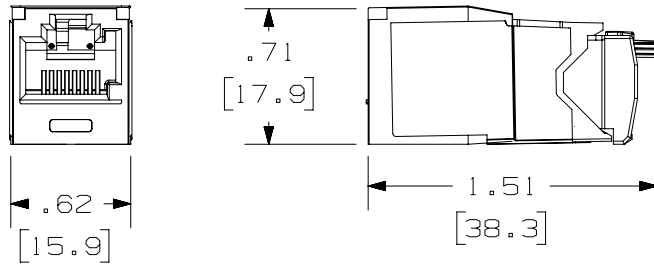
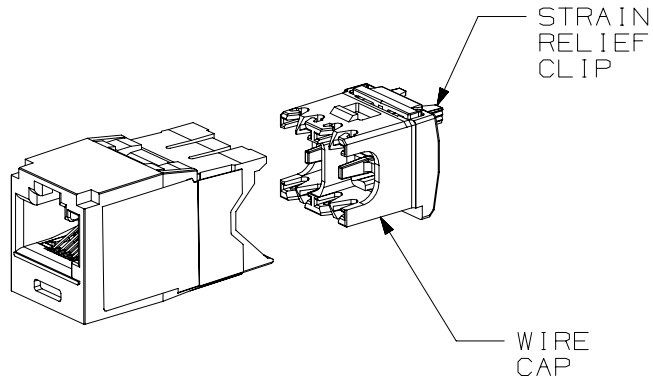


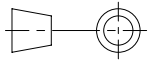
THIS COPY IS PROVIDED ON A RESTRICTED BASIS AND IS NOT TO BE USED IN ANY WAY DETRIMENTAL TO THE INTERESTS OF PANDUIT CORP.



ACTUAL SIZE

NOTES:

- VISIT OUR ON-LINE CATALOG AT WWW.PANDUIT.COM FOR A LIST OF CURRENT PARTS APPLICABLE FOR USE WITH THIS PRODUCT.
- DIMENSIONS IN [] ARE METRIC.
- ALL MATERIALS AND COMPONENTS USED MEET THE MATERIAL RESTRICTIONS OF RoHS (EUROPEAN DIRECTIVE 2011/65/EU ON THE RESTRICTION OF HAZARDOUS SUBSTANCES) AS PROPOSED BY THE RoHS TECHNICAL ADAPTATION COMMITTEE.
- WEIGHT: 1.53 LBS/100PCS [695g/100PCS]
- PART INCLUDES:
MODULE HOUSING - ABS
WIRE CAP - PC
STRAIN RELIEF CLIP - PC
- ALL 8 POSITION, 8 WIRED KEYED MODULES ARE T568B WIRING SCHEMES.
- ALL MINI-COM TX6A 10GIG 8 POSITION, 8 WIRE KEYED JACK MODULES ARE NOT UNIVERSAL IN DESIGN. EACH MODULE ACCEPTS ONLY ONE SPECIFIC KEYED PLUG THAT MATCHES THE JACK KEYED CONFIGURATION.

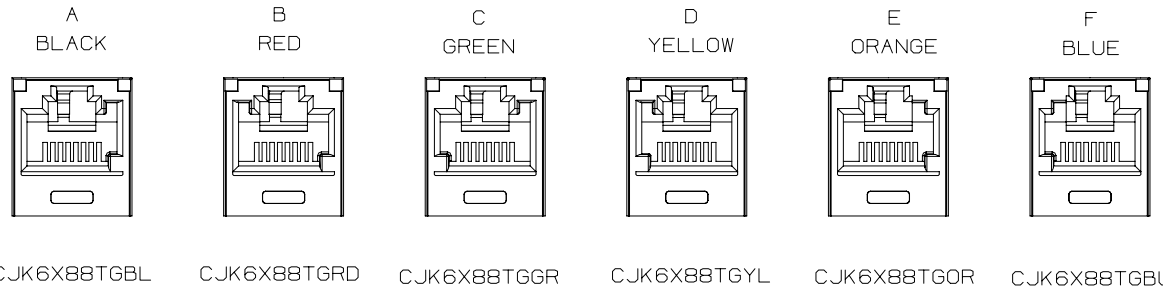
PART NUMBER		CJK6X88TG**		
TITLE				
MINI-COM™ TX6A 10GIG UTP KEYED JACK MODULE				
CUSTOMER DRAWING				
ITEM REVISION NAME		00075SKA/00		
DATASET FILE NAME		00075SKA_DC01/00A		
		THIRD ANGLE PROJECTION		
MATERIAL		SEE NOTE 5		
DRAWING NUMBER		00075SKA-01		
DRAWN BY	DATE	CHK	SCALE	SIZE
BJN	3-22-22	ROJC	NONE	A

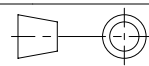
00A	4-18-22	BJN	ROJC	JEFK	RELEASED TO PRODUCTION	M09000QA
REV	DATE	BY	CHK	APR	DESCRIPTION	ECN

A-SIZE CUSTOMER

THIS COPY IS PROVIDED ON A RESTRICTED BASIS AND IS NOT TO BE USED IN ANY WAY DETRIMENTAL TO THE INTERESTS OF PANDUIT CORP.

UTP JACK COLOR/KEY CODE AND PART NUMBER



PART NUMBER		CJK6X88TG**	
TITLE			
MINI-COM™ TX6A 10GIG UTP KEYED JACK MODULE		CUSTOMER DRAWING	
ITEM REVISION NAME		00075SKA/00	
DATASET FILE NAME		00075SKA_DC01/00A	
		THIRD ANGLE PROJECTION	
MATERIAL		SEE NOTE 5	
DRAWING NUMBER		00075SKA-01	
DRAWN BY	DATE	CHK	SCALE
BJN	3-22-22	ROJC	NONE

A-SIZE CUSTOMER

00A	4-18-22	BJN	ROJC	JEFK	SEE SHEET 1 FOR REVISION HISTORY	M09000QA
REV	DATE	BY	CHK	APR	DESCRIPTION	ECN