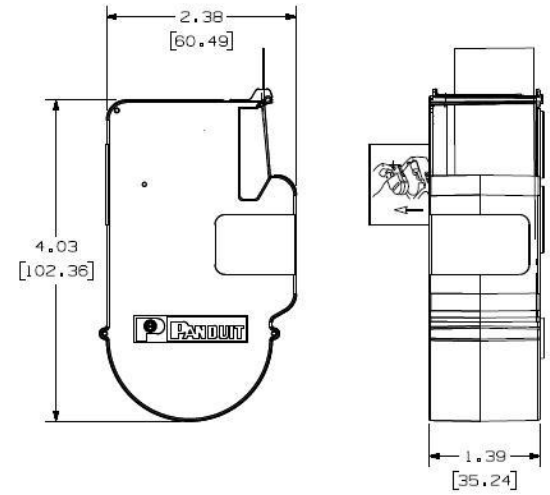
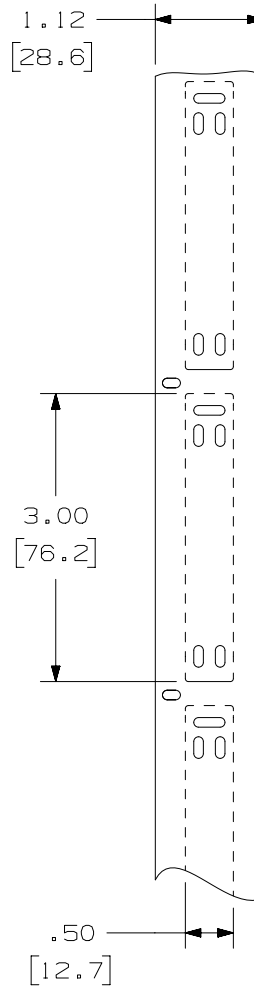


THIS COPY IS PROVIDED ON A RESTRICTED BASIS AND IS NOT TO BE USED IN ANY WAY DETRIMENTAL TO THE INTERESTS OF PANDUIT CORP.

PART NO.	COLOR	MATERIAL	LABEL PER ROLL
M300X050Y6C	YELLOW	GMH12	50
M300X050Y7C	WHITE	GMH2	

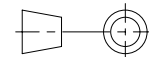


NOTE:  
1. MILLIMETER ARE IN ( ).



REV	DATE	BY	CHK	APR	DESCRIPTION	ECN
2	3/6/19	RVU	JW	JHAC	CHANGED MATERIAL FROM GMH2 FILM-LAM. TO TWO COLUMNS WITH YELLOW GMH12 AND WHITE GMH2.	GAECN04823
1	1/8/17	RVU	JW	JHAC	REMOVED THE BLACK PRINTED TEXT ON THE FACE OF THE MATERIAL.	GAECN04454
0	7/28/08	RVU			DRAWING RELEASE.	5504

TITLE					<b>P1 MARKER PLATE</b>				
					CUSTOMER DRAWING				
ITEM REVISION NAME					100743SS/08				
DATASET FILE NAME					100743SS_DC_C10720/08C				
UNLESS OTHERWISE SPECIFIED, DIMENSIONAL TOLERANCES ARE: IN [ mm ]					<b>PANDUIT</b>				
.x ± .1 [ 2.54 ] .xxx ± .025 [ .635 ] .xx ± .05 [ 1.27 ] ANGLES ± 5 °									
DRAWING NUMBER:					SEE TABLE				
DRAWING NUMBER:					C10720				
DRAWN BY		DATE		CHK		SCALE		SIZE	
RVU		7/28/08		JHAC		NTS		A	



THIRD ANGLE PROJECTION

D10100DA/20