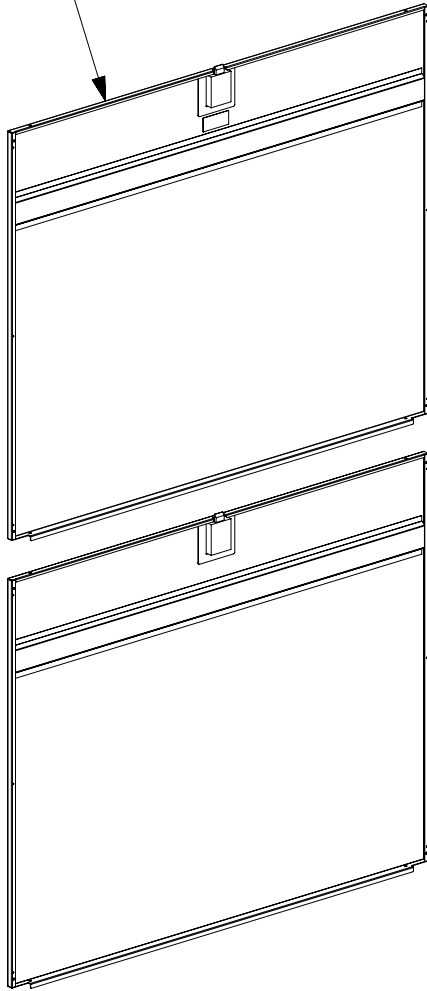


SIDE PANEL ASSEMBLED



GROUNDING WHIP

NOTES:

1. VISIT OUR ONLINE CATALOG AT WWW.PANDUIT.COM FOR A LIST OF CURRENT PARTS APPLICABLE WITH THIS PRODUCT.
2. REFER TO INSTRUCTION SHEET V00029LD FOR MORE INFORMATION
3. PARTS SUPPLIED:
 - 2 - SIDE PANEL ASSEMBLED
 - 2 - KEYS (NOT SHOWN)
 - 2 - GROUNDING WHIPS
 - 1 - HARDWARE KIT (NOT SHOWN)
 - 1 - INSTALLATION INSTRUCTION (NOT SHOWN).

PANDUIT PART NO.	WEIGHT
D21SP**	24.0 Kg/EACH (52.91 LBS/EACH)
D22SP**	28.5 Kg/EACH (62.83 LBS/EACH)
D51SP**	25.0 Kg/EACH (55.12 LBS/EACH)
D52SP**	30.0 Kg/EACH (66.14 LBS/EACH)
D81SP**	26.0 Kg/EACH (57.3 LBS/EACH)
D82SP**	31.5 Kg/EACH (69.45 LBS/EACH)

NOTE:

** DENOTES COLOR - ADD SUFFIX "B" FOR BLACK AND "W" FOR WHITE

REV	DATE	BY	CHK	APR	DESCRIPTION	ECN
04A	5-31-18	LEE	DWR	SJP	A. ADDED D81SP & D82SP TO CHARTS, SHT's 1 & 2	V09001RP
02A	1-19-17	LEE	DWR	DWR	A. UPDATED WEIGHTS	V09001CM/05
01A	12/8/16	MEX-JAGC	DWR	DWR	RELEASED TO PRODUCTION	V09001CM

TITLE					
D-TYPE SIDE PANEL (DxxSP**)					
CUSTOMER DRAWING					
ITEM REVISION NAME			15V526ZM/04		
DATASET FILE NAME			15V526ZM_DC/04A		
			MATERIAL:		
			N/A		
			DRAWING NUMBER:		
			15V526ZM-DC		
DRAWN BY		DATE	CHK	SCALE	
MEX-JAGC		12/8/16	DWR	NONE	
SHT 1 OF 2					A

D10100DA/20

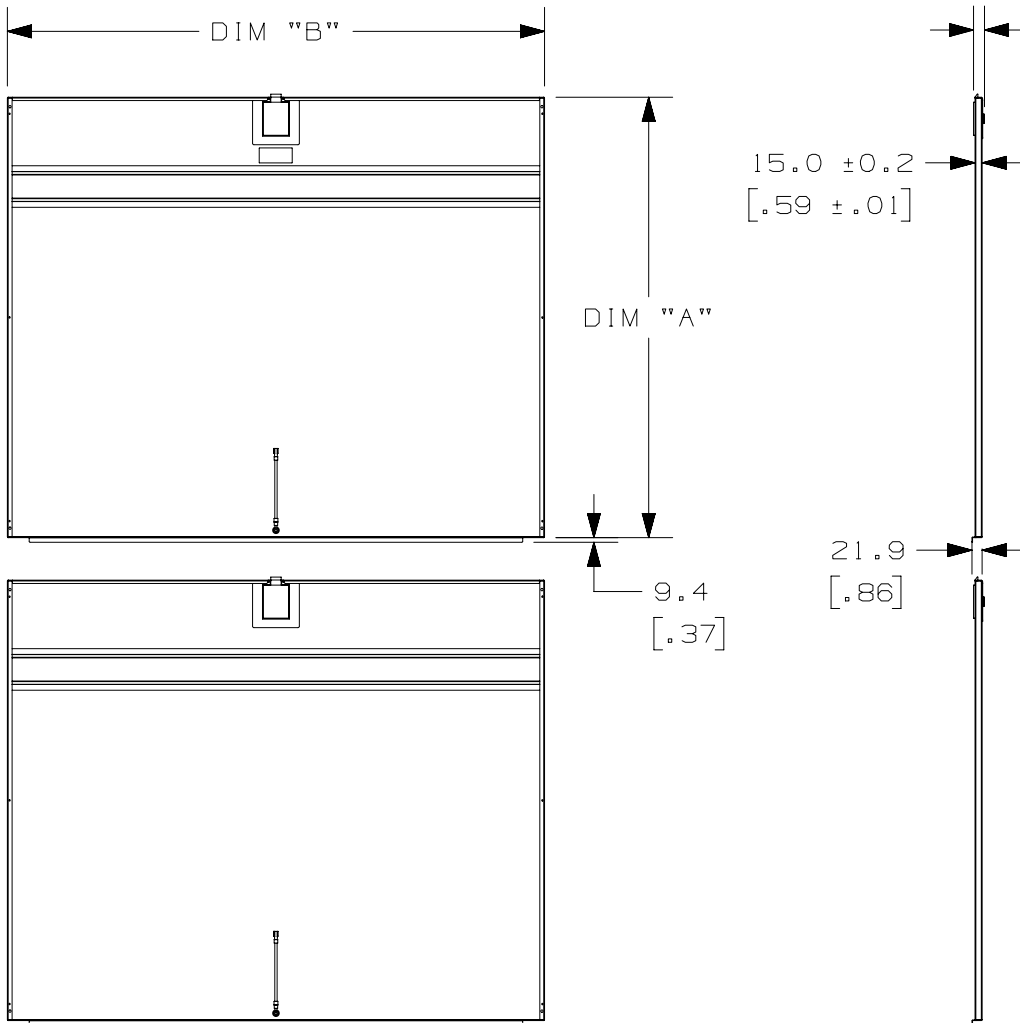
2

1

2

1

THIS COPY IS PROVIDED ON A RESTRICTED BASIS AND IS NOT TO BE USED IN ANY WAY DETRIMENTAL TO THE INTERESTS OF PANDUIT CORP.



PANDUIT PART NO.	DESCRIPTION	DIM "A"	DIM "B"
D21SP**	42RUx1000mm D-TYPE SIDE PANEL	866.0 (34.09)	937.5 (36.91)
D22SP**	42RUx1200mm D-TYPE SIDE PANEL	866.0 (34.09)	1136.7 (44.75)
D51SP**	45RUx1000mm D-TYPE SIDE PANEL	932.7 (36.72)	937.5 (36.91)
D52SP**	45RUx1200mm D-TYPE SIDE PANEL	932.7 (36.72)	1136.7 (44.75)
D81SP**	48RUx1000mm D-TYPE SIDE PANEL	998.9 (39.32)	937.5 (36.91)
D82SP**	48RUx1200mm D-TYPE SIDE PANEL	998.9 (39.32)	1136.7 (44.75)

TITLE		D-TYPE SIDE PANEL (DxxSP**)	
		CUSTOMER DRAWING	
ITEM REVISION NAME		15V526ZM/04	
DATASET FILE NAME		15V526ZM_DC/04A	
		PANDUIT	
		MATERIAL:	
		N/A	
		DRAWING NUMBER:	
		15V526ZM-DC	
		THIRD ANGLE PROJECTION	
DRAWN BY	DATE	CHK	SCALE
MEX-JAGC	12/8/16	DWR	NONE
REV		SHT 2 OF 2	
DATE		SIZE	
12/8/16		A	

REV	DATE	BY	CHK	APR	DESCRIPTION	ECN
04A	5-13-18	LEE	DWR	SJP	SEE SHEET 1 OF 2 FOR REVISIONS	V09001RP
02A	1-19-17	LEE	DWR	DWR	SEE SHEET 1 OF 2 FOR REVISIONS	V09001CM/05
01A	12/8/16	MEX-JAGC	DWR	DWR	SEE SHEET 1 OF 2 FOR REVISIONS	V09001CM

D10100DA/20