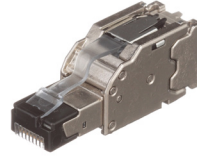


TX6A™ Shielded Field Term RJ45 Plug

SPECIFICATIONS

The TX6A Shielded Field Term RJ45 Plug is a simple-to-attach plug for field termination of 4-pair shielded twisted pair cable. Providing Category 6A performance, the TX6A plug is also compatible with Category 6 and 5e shielded systems. The two-piece straight TX6A shielded plug terminates 4-pair, 22 AWG - 26 AWG, 100 ohm shielded twisted pair cable and uses proven TG-style forward motion termination technology to optimize performance by maintaining cable pair geometry while eliminating conductor untwist.



TECHNICAL INFORMATION

Category 6A/Class E_A performance:	Exceeds ANSI/TIA 568.2-D Category 6A and ISO 11801 Class E _A Channel performance requirements with up to two field term plugs in channel. Meets or exceeds TIA Modular Plug Terminated Link (MPTL) requirements with up to two field term plugs in link
Cable compatibility:	Compatible with 4-pair, 22 AWG - 26 AWG solid or stranded shielded twisted pair cable with conductor insulation diameters of 0.04 in. - 0.06 in. (1.0mm - 1.6mm) and overall cable O.D. 0.23 in. - 0.35 in. (5.8mm - 9.0mm)
FCC and ANSI compliance:	Meets ANSI/TIA-1096-A (formerly FCC Part 68)
IEC compliance:	IEC 60603-7, IEC 60529 (IP 20)
RoHS compliance:	Compliant
PoE & PoH compliance:	Supports IEEE 802.3af / 802.3at (PoE/PoE+) and 802.3bt type 3 and type 4 (PoE++) applications. Supports Power over HDBaseT up to 100 watts.
Plug mating cycles:	Rated to 2500 mating cycles
UL rated:	UL 1863 (Use as communications circuit accessory) UL 2043 (Suitable for use in air-handling spaces)
Operating temperature:	-40°F to +185°F (-40°C to +85°C)

KEY FEATURES AND BENEFITS

Simple two-piece assembly:	Field friendly, easier to handle during field installation, saving time and reducing termination error
Slim plug profile:	Easily fits in tight port spaces or high-density port configurations
22-26 AWG termination capable:	Works with all commonly used solid and stranded shielded cabling
TG-style termination technology:	Proven electrical performance and quick installation speed from the same forward-motion termination technology used in the Mini-Com [®] TG Modular Jacks
Category 6A, 6, and 5e compatibility:	High performance capability and wide cable size range enable a single plug for all common shielded cabling systems
Re-termination:	Ability to re-terminate up to 20 times with no additional parts, providing convenience and cost-savings in cases when plug must be re-terminated to cable

APPLICATIONS

The simple-to-attach TX6A Shielded Field Term RJ45 Plug is ideal for connecting network-powered devices to shielded networks using MPTL links or anywhere field attachment of a plug to shielded cable is desired. Applications include:

- Wireless access points (WAPs)
- Power over Ethernet (PoE) LED lighting
- IP security cameras and motion sensors
- Building access control points
- Network-attached Audio/Video equipment
- Other PoE or HDBASE-T powered network devices

TX6A Shielded Field Term Plug

Field Term Plug:	FPS6X88MTG
Field Term Plug 10 pk:	FPS6X88MTG-X
Tools and Accessories	
Termination Tool:	EGPT or EGJT-1
Wire Stripping Tool:	CJAST
Wire Snipping Tool:	CWST
Optional Test Cord:	FPS6X88TC

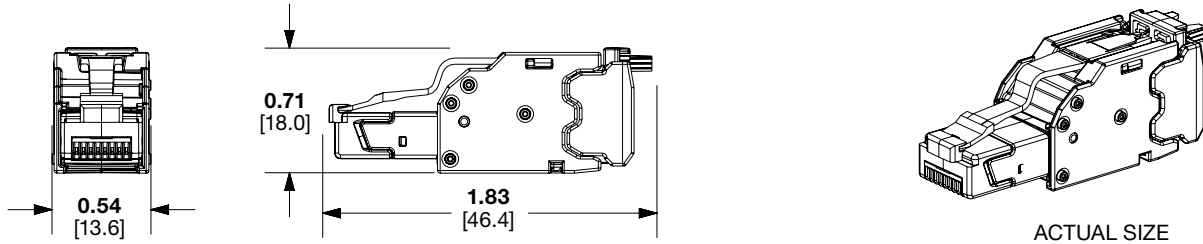


All listed part numbers are compliant with the U.S. Trade Agreements Act (TAA) for purchases shipped to customers in the United States.

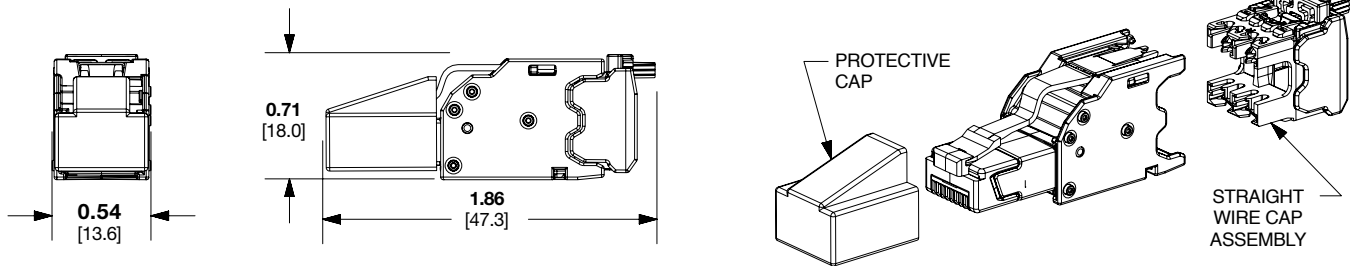
TX6A™ Shielded Field Term RJ45 Plug

ENGINEERING DRAWINGS

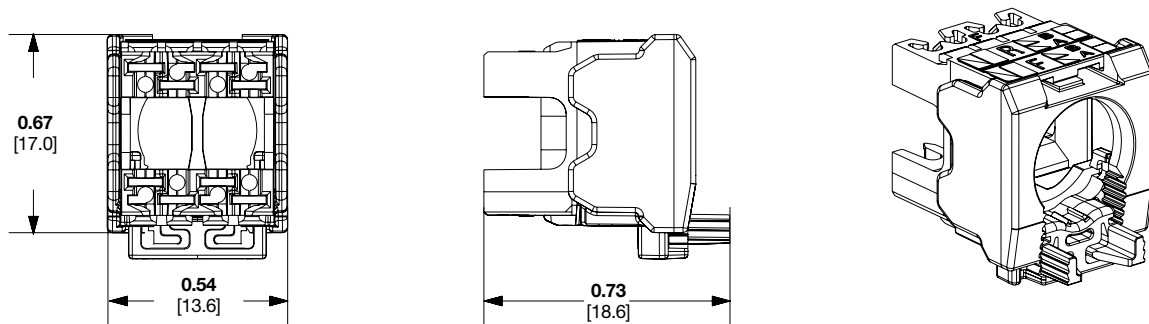
Shielded Field Term Plug without Protective Cap



Shielded Field Term Plug with Protective Cap



Shielded Straight Wire Cap Assembly



Dimensions are in inches. [Dimensions in brackets are metric].

WORLDWIDE SUBSIDIARIES AND SALES OFFICES

PANDUIT US/CANADA
Phone: 800.777.3300

PANDUIT EUROPE LTD.
London, UK
Phone: 44.20.8601.7200

PANDUIT SINGAPORE PTE. LTD.
Republic of Singapore
Phone: 65.6305.7575

PANDUIT JAPAN
Tokyo, Japan
Phone: 81.3.6863.6000

PANDUIT LATIN AMERICA
Guadalajara, Mexico
Phone: 52.33.3777.6000

PANDUIT AUSTRALIA PTY. LTD.
Victoria, Australia
Phone: 61.3.9794.9020

For a copy of Panduit product warranties, log on to www.panduit.com/warranty



For more information
Visit us at www.panduit.com
Contact Customer Service by email: cs@panduit.com
or by phone: 800.777.3300

© 2024 Panduit Corp.
ALL RIGHTS RESERVED.
COSP460-WW-ENG
7/2024