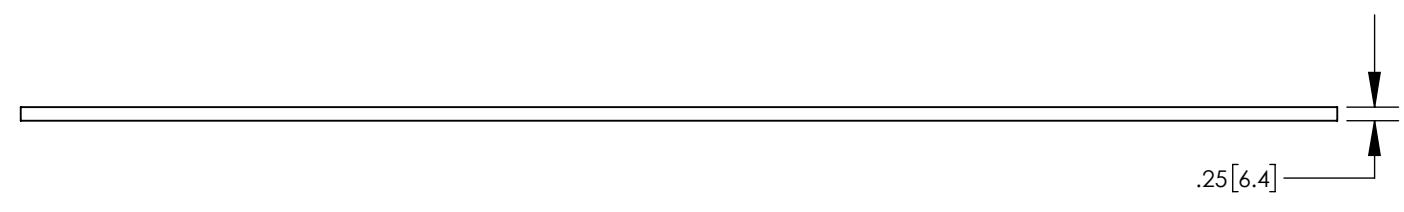
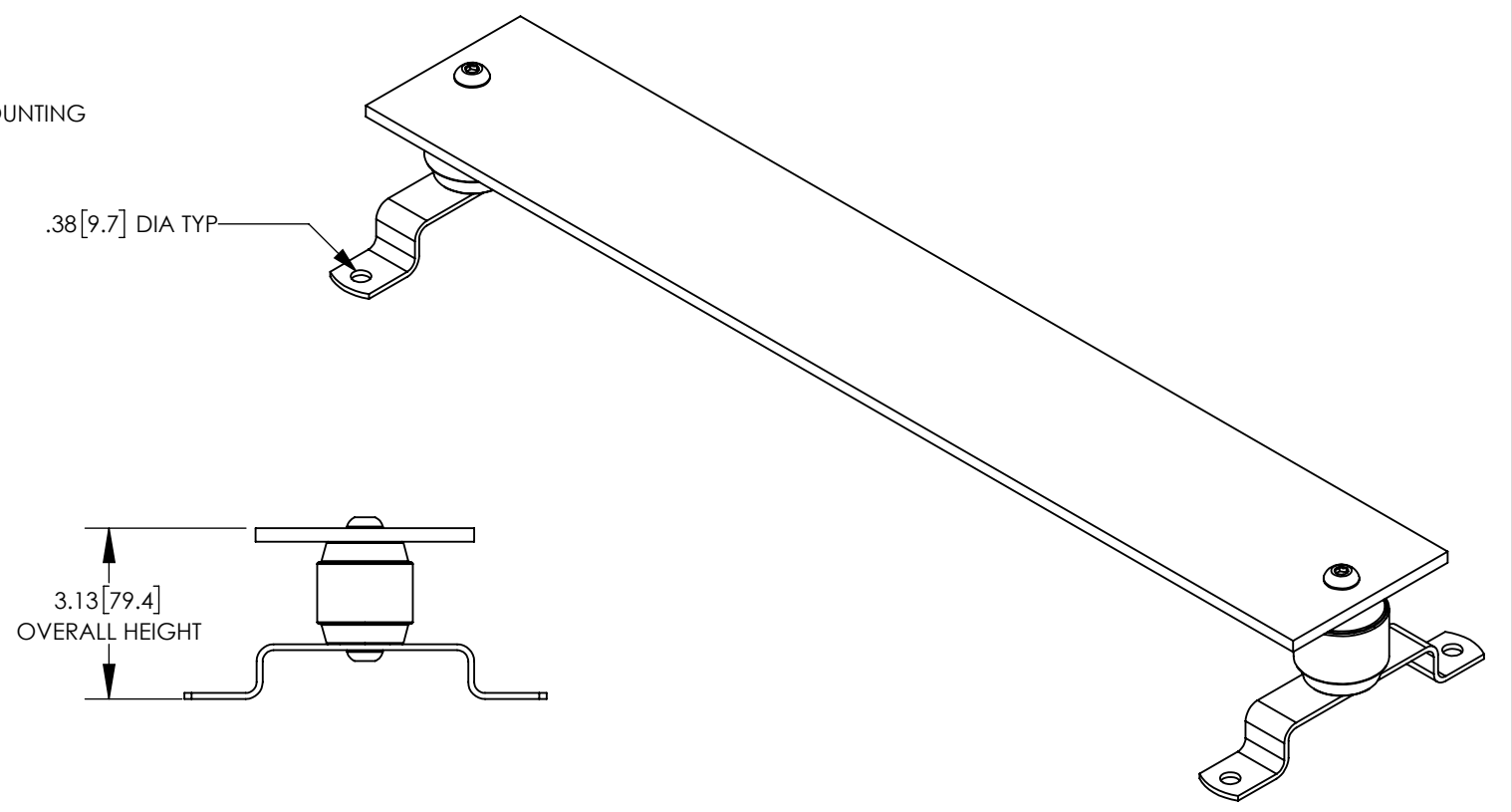
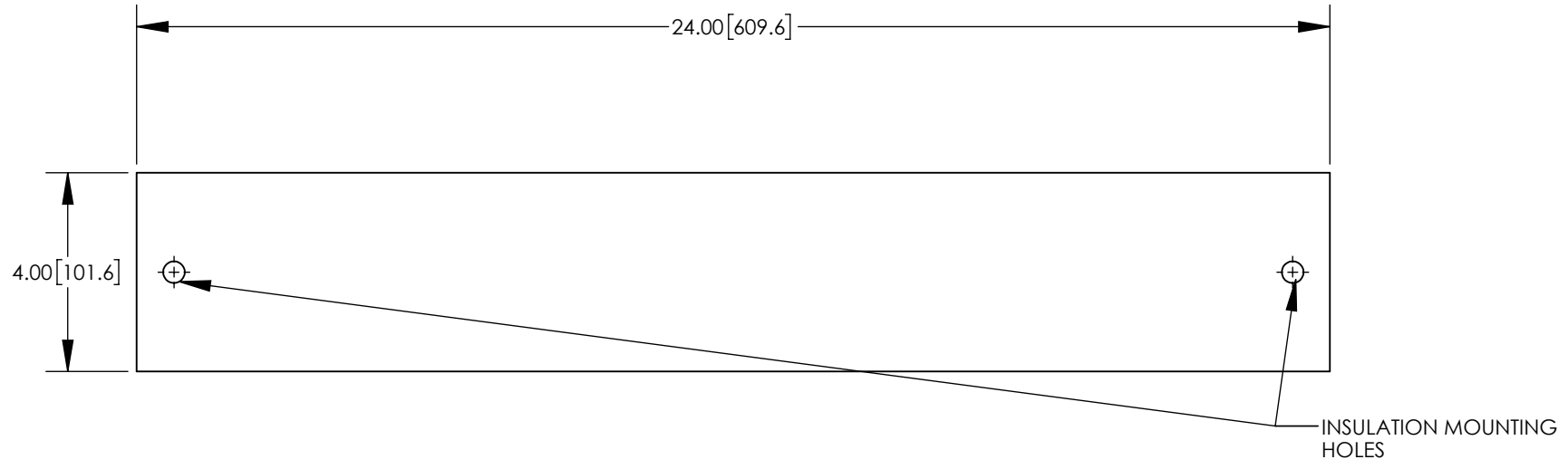


- NOTES:
1. MATERIAL: BUSBAR MADE FROM HIGH CONDUCTIVITY COPPER, NON-PLATED
  2. KIT COMES FULLY ASSEMBLED.
  3. KIT INCLUDES BUSBAR, MOUNTING BRACKETS, INSULATORS, AND MOUNTING HARDWARE.
  4. DIMENSIONS IN PARENTHESIS ARE MILLIMETERS.



REV	DATE	BY	CHK	APR	DESCRIPTION	ECN
00	8/17	JHNU	JHNU	RGB	DRAWING RELEASED	00049EBE-DC

TITLE		<b>GROUNDING BUSBAR (GB4A001)</b> CUSTOMER DRAWING	
ITEM REVISION NAME	00049EBE/00		
DATASET FILE NAME	00049EBE-DC/00.SLDDRW		
UNLESS OTHERWISE SPECIFIED, DIMENSIONAL TOLERANCES ARE: IN [mm]		MATERIAL	
.X ±	.XXX ±	SEE NOTES	
.XX ±	ANGLES ±	DRAWING NUMBER 00049EBE-DC	
THIRD ANGLE PROJECTION		SIZE	
DRAWN BY	DATE	CHK	SCALE
JHNU	8/17	RGB	N/A
SHEET 1 OF 1			B