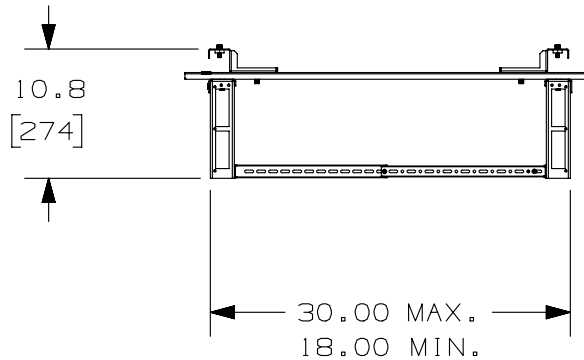
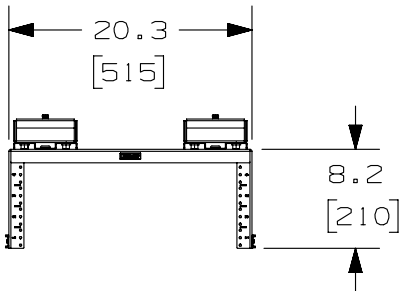
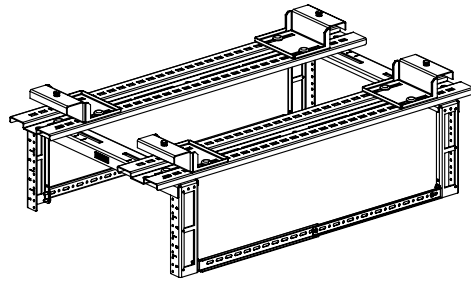
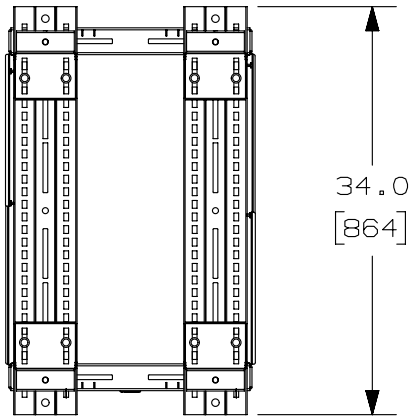


THIS COPY IS PROVIDED ON A RESTRICTED BASIS AND IS NOT TO BE USED IN ANY WAY DETRIMENTAL TO THE INTERESTS OF PANDUIT CORP.



PANDUIT PART NO.	WEIGHT
PZLRB4P4	23.0 LBS/EACH 10.5 kg/EACH

NOTES:

- SEE CURRENT CATALOG FOR ADDITIONAL PART NUMBER SUFFIXES TO INDICATE COLOR AND OR PACKAGE QUANTITY.
- SEE CATALOG FOR COMPLETE LIST OF PARTS APPLICABLE FOR USE WITH THIS PART.
- DIMENSIONS IN PARENTHESES ARE IN METRIC.
- PART INCLUDES:
2- 4RU RACK CHANNELS
2- CEILING MOUNT HAT CHANNELS
4- STRUT CHANNEL MOUNTING BRACKETS

REV	DATE	BY	CHK	APR	DESCRIPTION	ECN
00A	2/5/13	RYB	BAME		RELEASED TO PRODUCTION	12V316AD_DC

TITLE PZLRB4P4 OVERHEAD FOUR POST RACK CUSTOMER DRAWING	
ITEM REVISION NAME 12V316AD/00	PANDUIT TM
DATASET FILE NAME 12V316AD_DC/00A	
UNLESS OTHERWISE SPECIFIED, DIMENSIONAL TOLERANCES ARE: IN (mm) .x ± .1 [2.54] .xxx ± .005 [.127] .xx ± .01 [.25] ANGLES ± 5 °	
MATERIAL: SEE NOTES	
DRAWING NUMBER: 12V316AD_DC	
DRAWN BY RYB	DATE 2/5/13
CHK BAME	SCALE NONE
THIRD ANGLE PROJECTION	
SHT 1 OF 1	
SIZE A	

D101000DA/12