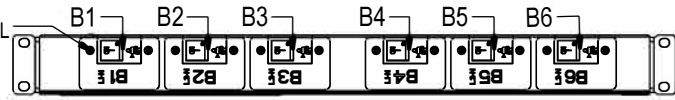
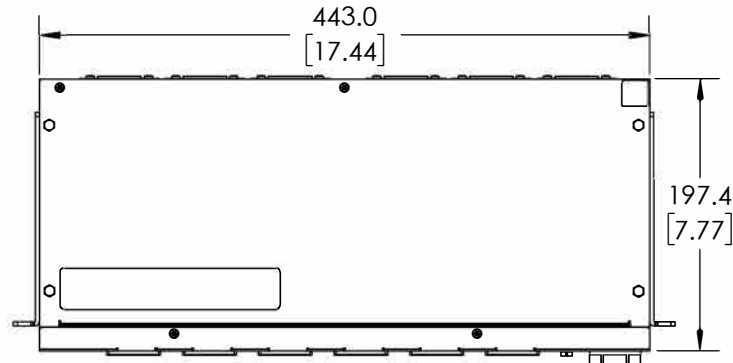


THIS COPY IS PROVIDED ON A RESTRICTED BASIS AND IS NOT TO BE USED IN ANY WAY DETRIMENTAL TO THE INTERESTS OF PANDUIT CORP.

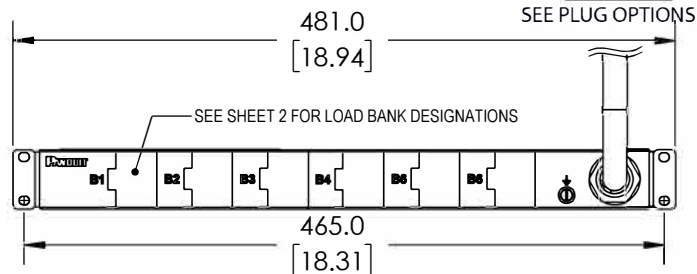
20A, SINGLE-POLE
ELECTRO MECHANICAL
SWITCH / BREAKER (6) PL



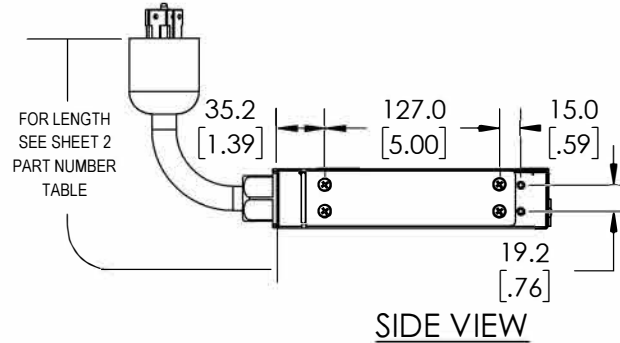
REAR VIEW



TOP VIEW



FRONT VIEW



SIDE VIEW

PLUG/ RECEPTACLE BLOCK

	IEC 60309, 4P 5W, 6H IP67 (WATERTIGHT) 30A, 346-415V MAX RATED INPUT 24A DERATED
	IEC 60309, 4P 5W, 6H IP44 (SPASHPROOF) 30A, 346-415V MAX RATED INPUT 24A DERATED
	NEMA L22-30P, 4P 5W 30A, 277-480V MAX RATED INPUT 24A DERATED
	IEC 60320/C19 16A, 250V MAX RATED OUTPUT

SPECIFICATION:

- | | |
|------------------------|-----------------------------------|
| 1. STANDARD UNIT TYPE: | BASIC |
| ORIENTATION: | HORIZONTAL, 1U |
| OUTLET QTY & TYPE: | SEE SHEET 2 FOR CONFIGURATIONS |
| INPUT VOLTAGE: | 200-240/346-415VAC |
| INPUT CURRENT: | 30A (24A DERATED) |
| BREAKER QTY & TYPE: | (6) 20A, SINGLE-POLE |
| INPUT PHASE: | THREE-PHASE WYE |
| RATED POWER: | 17.3 kVA |
| INPUT PLUG: | SEE SHEET 2 FOR CONFIGURATIONS |
| INPUT POWER CORD: | SEE SHEET 2 FOR PART NUMBER TABLE |

REGULATORY STANDARD: RoHS COMPLIANT

2. ADDITIONAL:
CIRCUIT BREAKERS RATED AT 10KAIC

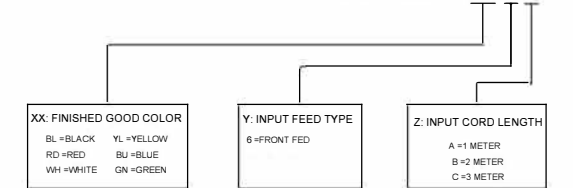
3. ACCESSORIES:
(1) QUICK-START GUIDE

NOTES:

- PRIMARY DIMENSIONS ARE IN MILLIMETERS. SECONDARY DIMENSIONS ARE IN [INCHES]
- INSTALLATION SHALL COMPLY WITH ALL APPLICABLE NATIONAL, STATE, AND LOCAL CODES
- VISIT OUR ON-LINE CATALOG AT WWW.PANDUIT.COM FOR A CURRENT LIST OF PRODUCTS APPLICABLE FOR USE WITH THIS PRODUCT
- FOR FULL PRODUCT FUNCTIONALITY REFER TO USER MANUAL
- DRAWING VIEWS SHOW THE INPUT CORD IN THE "FRONT FED" CONFIGURATION

IDENTIFICATION

FOR FINISHED GOOD PART NUMBER & DESCRIPTION TABLE SEE SHEET 2 CONFIGURABLE PART NUMBERS: **P06B##M - XXYZ**



FOUR CHARACTER SUFFIX FOR ALTERNATE PRODUCT CONFIGURATIONS

WE ASK THAT YOU CHECK FULLY THE DIMENSIONS, NOTES, AND SIGN THE CLIENT SIGNATURE BOX. THE JOB WILL NOT PROGRESS WITHOUT SIGNED APPROVAL. PLEASE DO NOT DELAY IN RETURNING PROOF AS IT WILL AFFECT DELIVERY.		SIGN
		DATE
		PRINT
TITLE INTELLIGENT SERIES PDU P06B##M-XXYZ CUSTOMER DRAWING		
ITEM REVISION NAME		
PART ASSEMBLY NAME		
UNLESS OTHERWISE SPECIFIED, DIMENSIONAL TOLERANCES ARE: mm [IN]		MATERIAL
Tolerance (mm)		DRAWING NUMBER
0<L<50 ±0.5		P06B_DC
50<L<250 ±1.0		
250<L<500 ±1.5		
500<L<1000 ±2.5		
1000<L<5000 ±4.0		
BY: WAC	DATE: 03/15/19	CHK: -
SCALE: NTS		SIZE: B

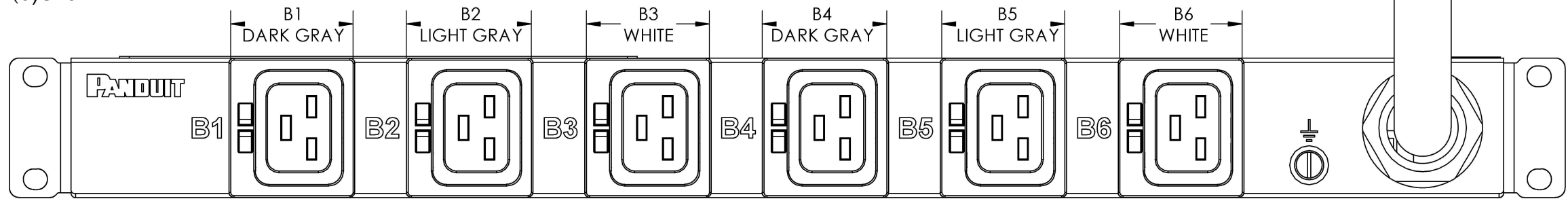
REV	DATE	BY	CHK	APR	DESCRIPTION	ECN
01A	3/21/2019	WAC	DACU	JAWI	RELEASED TO PRODUCTION	P06B

D101 0000B/17

THIS COPY IS PROVIDED ON A RESTRICTED BASIS AND IS NOT TO BE USED IN ANY WAY DETRIMENTAL TO THE INTERESTS OF PANDUIT CORP.

FINISHED GOOD PART NUMBER	FINISHED GOOD DESCRIPTION	INPUT PLUG CONFIGURATION	RECEPTACLE CONFIGURATION	COLOR	INPUT CORD LENGTH	WEIGHT
P06B04M	HORIZONTAL, (6)C19, BASIC, 200-240/346-415V/ 30A/3 PHASE WYE, FRONT FEED, 3 METER INPUT CORD, BLACK	L22-30P 30A 4P, 5W	(6) C19	BLACK (RAL 9005)	3M(+254MM/-127MM) 10'(+10"/-5")	8.4kg
P06B01M	HORIZONTAL, (6)C19, BASIC, 200-240/346-415V/ 30A/3 PHASE WYE, FRONT FEED, 3 METER INPUT CORD, BLACK	IEC60309 30A 4P, 5W, IP67 (WATERTIGHT)	(6) C19	BLACK (RAL 9005)	3M(+254MM/-127MM) 10'(+10"/-5")	8.4kg
P06B05M	HORIZONTAL, (6)C19, BASIC, 200-240/346-415V/ 30A/3 PHASE WYE, FRONT FEED, 3 METER INPUT CORD, BLACK	IEC60309 30A 4P, 5W, IP44 (SPLASHPROOF)	(6) C19	BLACK (RAL 9005)	3M(+254MM/-127MM) 10'(+10"/-5")	8.4kg

(6)C19



WE ASK THAT YOU CHECK FULLY THE DIMENSIONS, NOTES, AND SIGNATURE BOX. THE JOB WILL NOT PROGRESS WITHOUT SIGNED APPROVAL. PLEASE DO NOT DELAY IN RETURNING PROOF AS IT WILL AFFECT DELIVERY.		SIGN
		DATE
		PRINT
TITLE INTELLIGENT SERIES PDU P06B###M-XXYZ CUSTOMER DRAWING		
ITEM REVISION NAME		
DATASET FILE NAME		
UNLESS OTHERWISE SPECIFIED, DIMENSIONAL TOLERANCES ARE: mm [IN]		MATERIAL:
Tolerance (mm) 0<L<50 ±0.5 50<L<250 ±1.0 250<L<500 ±1.5 500<L<1000 ±2.5 1000<L<2000 ±4.0		DRAWING NUMBER: P06B_DC
BY WAC	DATE 03/15/2019	CHK -
SCALE NTS		SIZE B

REV	DATE	BY	CHK	APR	DESCRIPTION	ECN
01A	3/21/2019	WAC	DACU	JAWI	RELEASED TO PRODUCTION	P06B

D:10100DB/17