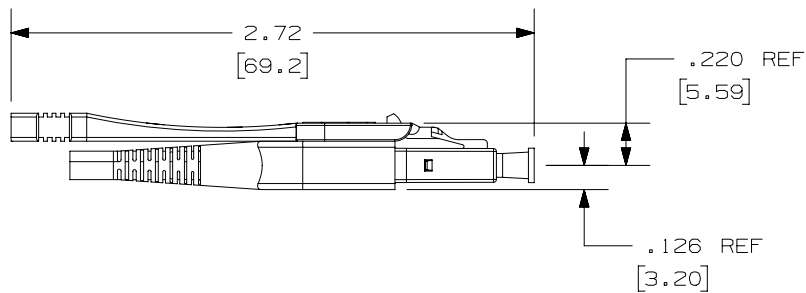
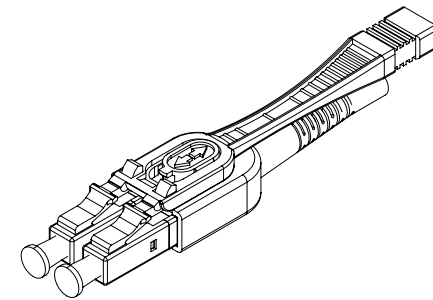
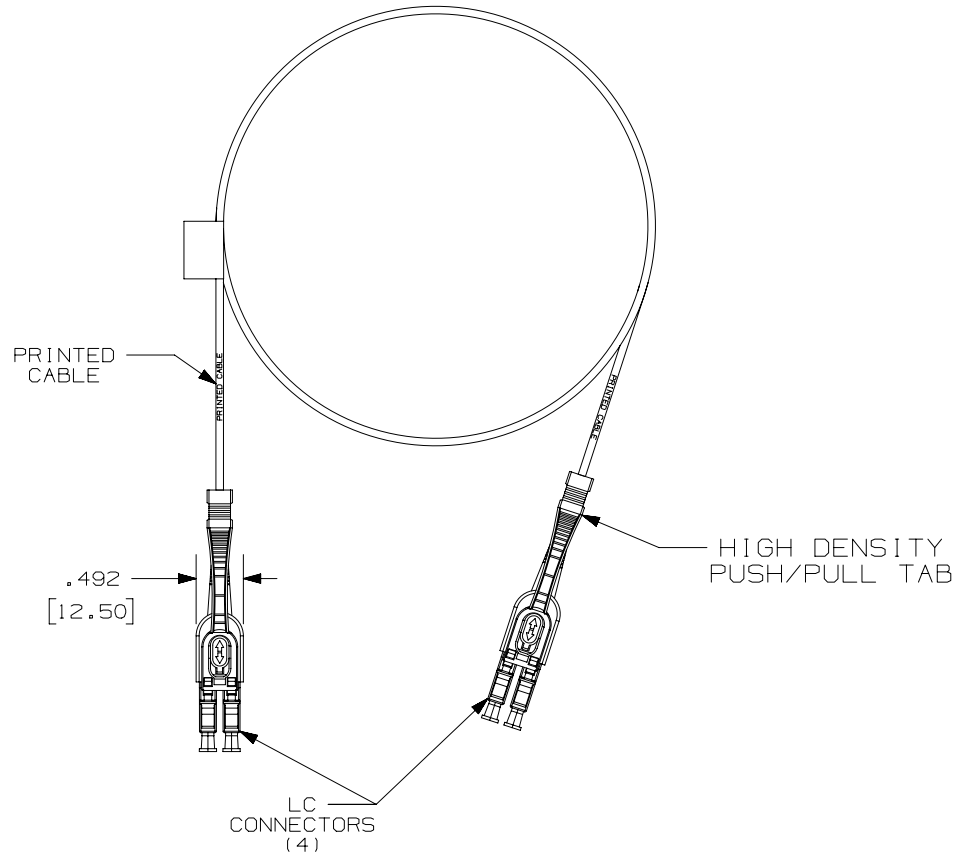
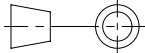


THIS COPY IS PROVIDED ON A RESTRICTED BASIS AND IS NOT TO BE USED IN ANY WAY DETRIMENTAL TO THE INTERESTS OF PANDUIT CORP.

NOTES:

1. SEE SHEET 2 FOR PART NUMBERS, PRODUCT DETAILS AND TECHNICAL SPECIFICATIONS.
2. SEE CURRENT CATALOG FOR PATCH CORD LENGTHS AND PACKAGE QUANTITIES.
3. FOR LENGTHS OTHER THAN THOSE LISTED IN CATALOG, CONTACT YOUR PANDUIT SALES PERSON.
4. TESTED TO EIA/TIA 568-C.3.
5. PATCH CORD ROUTING CONFIGURATION A-B.
6. ALL MATERIALS AND COMPONENTS USED MEET THE MATERIAL RESTRICTIONS OF RoHS, (EUROPEAN DIRECTIVE 2011/65/EC ON THE RESTRICTION OF HAZARDOUS SUBSTANCES) AS PROPOSED BY THE RoHS TECHNICAL ADAPTATION COMMITTEE.

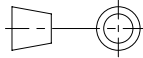


PART NUMBER		SEE TABLE	
TITLE		C-SERIES UNIBOOT LC PATCH CORD	
CUSTOMER DRAWING			
ITEM REVISION NAME	00806EAA/00		
DATASET FILE NAME	00806EAA_DC/00A		
		THIRD ANGLE PROJECTION	
MATERIAL		DRAWING NUMBER	
		00806EAA-DC	
DRAWN BY	DATE	CHK	SCALE
SAT	02-02-21	JGD	NONE
SHEET 1 OF 2			SIZE
			A

00A	02-02-21	SAT	JGD	RASO	INITIAL RELEASE
REV	DATE	BY	CHK	APR	DESCRIPTION
					ECN

THIS COPY IS PROVIDED ON A RESTRICTED BASIS AND IS NOT TO BE USED IN ANY WAY DETRIMENTAL TO THE INTERESTS OF PANDUIT CORP.

C-SERIES UNIBOOT TO C-SERIES UNIBOOT FIBER OPTIC PATCHCORD								
PANDUIT P/N	CABLE				UNIBOOT CONNECTOR			
	RATING	FIBER TYPE	COUNT	COLOR	CONNECTOR TYPE	HOUSING COLOR	BOOT COLOR	PERFORMANCE
F92TLUCUCONM***	LSZH	OS2	2 FIBER 2.0mm UNITARY CABLE	YELLOW	SM	BLUE	BLUE	OPTIMIZED IL ≤ 0.25dB
FZ2TLUCUCONM***		OM4		AQUA	MM	AQUA	AQUA	OPTIMIZED IL ≤ 0.10dB

PART NUMBER		SEE TABLE	
TITLE			
C-SERIES UNIBOOT LC PATCH CORD			
CUSTOMER DRAWING			
ITEM REVISION NAME		00806EAA/00	
DATASET FILE NAME		00806EAA_DC/00A	
		THIRD ANGLE PROJECTION	
MATERIAL		DRAWING NUMBER	
		00806EAA-DC	
DRAWN BY	DATE	CHK	SCALE
SAT	02-02-21	JGD	NONE
SHEET 2 OF 2			SIZE
			A

SEE SHEET 1 FOR REVISION HISTORY

REV	DATE	BY	CHK	APR	DESCRIPTION	ECN

B

B

A

A

A-SIZE CUSTOMER