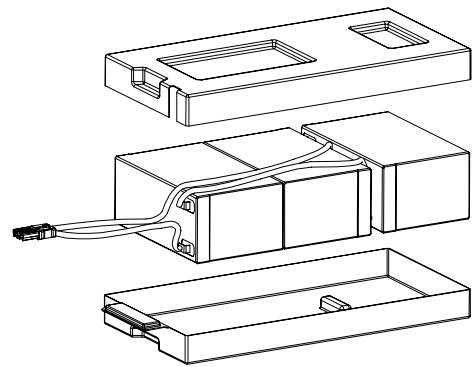
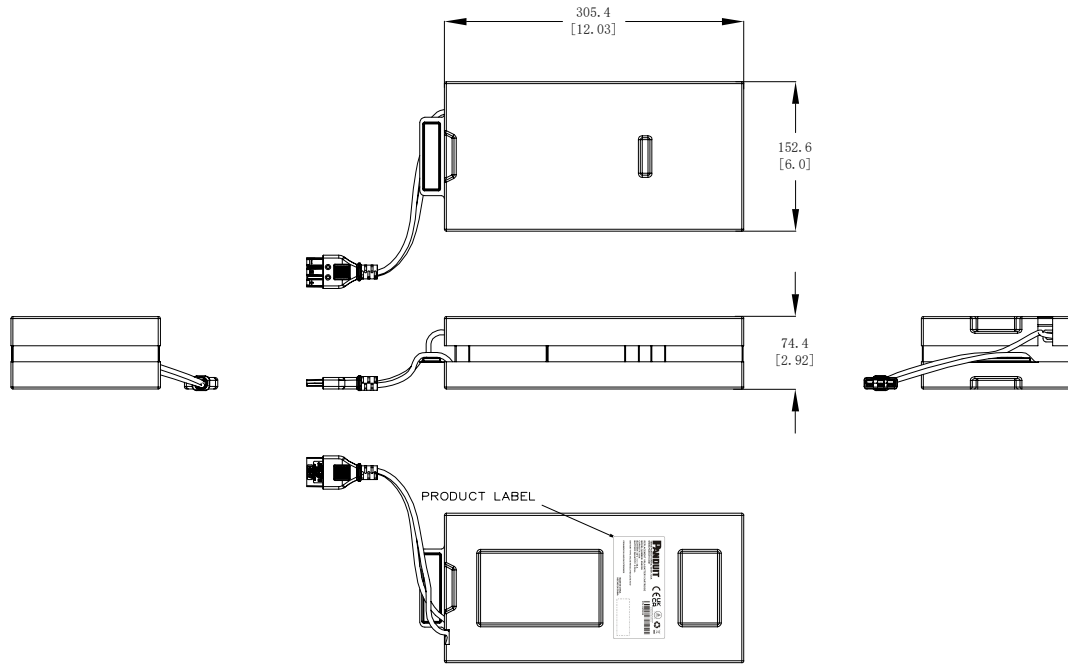


THIS COPY IS PROVIDED ON A RESTRICTED BASIS AND IS NOT TO BE USED IN ANY WAY DETRIMENTAL TO THE INTERESTS OF PANDUIT CORP.



1. STANDARD:

USE WITH UPS CAPACITY: BATTERY CARTRIDGE SET FOR 1KVA 36VDC UPS EBP
 BATTERY TYPE: VALVE REGULATED LEAD ACID-NON SPILLABLE
 NOMINAL INPUT/OUTPUT VOLTAGE: 36VDC
 BREAKER TYPE: N/A
 WEIGHT OF Pb(LEAD): 5.1KG
 WEIGHT OF H2SO4(SULFURIC ACID): 1.2KG

2. ADDITIONAL:
 NONE

3. ACCESSORY COMPONENTS:
 NONE

NOTES:

1. PRIMARY DIMENSIONS ARE IN MILLIMETERS. SECONDARY DIMENSIONS ARE IN INCHES
2. INSTALLATION SHALL COMPLY WITH ALL APPLICABLE NATIONAL, STATE, AND LOCAL CODES APPLICABLE FOR USE WITH THIS PART
3. VISIT OUR ON-LINE CATALOG AT WWW.PANDUIT.COM FOR A CURRENT LIST OF PRODUCTS APPLICABLE FOR USE WITH THIS PART
4. ALL PURCHASED ITEMS CONFORM TO C2-0834 PANDUIT SPECIFICATION FOR CHEMICAL SUBSTANCES TO BE CONTROLLED IN PRODUCT AND PACKAGING

IDENTIFICATION:

PART NUMBER	DESCRIPTION	SHIPPING WEIGHT (KG)
UVD036	36V REPLACEMENT VRLA BATTERY CARTRIDGE SET FOR 1KVA 36VDC UPS EBP (2X 36V BATTERY CARTRIDGES)	17.36

00A		03/10/2022	D.L.	ZRZ	GLM/DJH	RELEASE TO PRODUCTION	UVD036	THIRD ANGLE PROJECTION		UNLESS OTHERWISE SPECIFIED DIMENSIONAL TOLERANCES ARE: MM (IN)	GENERAL: N/A
REV	DATE	BY	CHK	APR	DESCRIPTION	ECN	DATE BY DATE	CHK	APR	DESCRIPTION	ECN
							03/10/2022	M.D	VARIOUS		SMT 1 OF 2

WE ARE NOT RESPONSIBLE FOR THE CONSEQUENCES OF THE USE OF THIS PRODUCT IN ANY MANNER THAT IS NOT INTENDED BY US. THE USER SHALL BE RESPONSIBLE FOR OBTAINING ALL NECESSARY PERMITS AND APPROVALS FROM THE APPROPRIATE AUTHORITIES. THE USER SHALL BE RESPONSIBLE FOR OBTAINING ALL NECESSARY PERMITS AND APPROVALS FROM THE APPROPRIATE AUTHORITIES.

SMARTZONE UPS VRLA BATTERY CARTRIDGE SET UV0036
 CUSTOMER DRAWING

UV0036-00
 UV0036-DC/00A

UNLESS OTHERWISE SPECIFIED DIMENSIONAL TOLERANCES ARE: MM (IN)
 GENERAL: N/A
 PART NUMBER: UV0036-DC

0000000078

THIS COPY IS PROVIDED ON A RESTRICTED BASIS AND IS NOT TO BE USED IN ANY WAY DETRIMENTAL TO THE INTERESTS OF PANDUIT CORP.

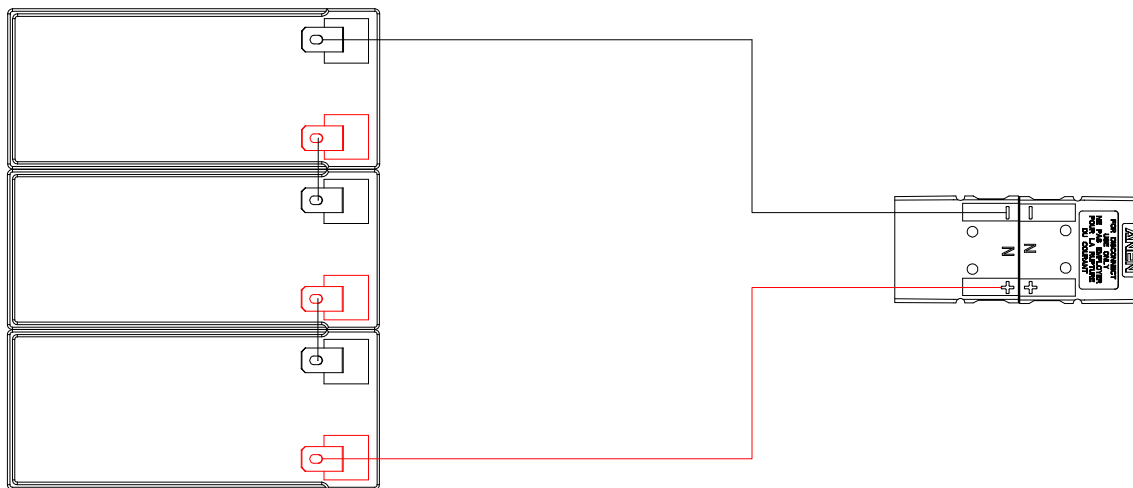
PANDUIT
 18900 PANDUIT DRIVE, 60487, USA
 WWW.PANDUIT.COM

REPLACEMENT VRLA BATTERY CARTRIDGE
 MODEL NUMBER: 0N0V0N
 CAPACITY: 9 Ah
 BATTERY: 36 V — 50 A
 BATTERY QUANTITY: 3 CELL
 BATTERY TYPE: VALVE REGULATED LEAD ACID

PROHIBIDO SU USO EN EXTERIORES
 MADE IN CHINA
 HECHO EN CHINA

CE UK CA
 Compliant with UL 1778-2014 & CSA C22.2 No. 107.3-14
 P/N: UVD036

BATTERY CARTRIDGE SET FOR
 1KVA 36VDC UPS EBP



LEGEND					
SYMBOL	DESCRIPTION	SYMBOL	DESCRIPTION	SYMBOL	DESCRIPTION
	CIRCUIT BREAKER		AC-DC CONVERTER		DC-DC CONVERTER
	RELAY		DC-DC CONVERTER		FUSE
	CB (CIRCUIT BREAKER)		BATTERY SYMBOL		BATTERY UNIT
	DC-DC CONVERTER		BATTERY SYMBOL		BATTERY UNIT

REV	DATE	BY	CHK	APR	DESCRIPTION	ECN
00A	03/10/2022	D.A.	ZRZ	GLM/DJB	RELEASE TO PRODUCTION	UVD036

SMARTZONE UPS VRLA BATTERY CARTRIDGE SET UVD036
 CUSTOMER DRAWING

UVD036-00
 UVD036-DC/00A

UNLESS OTHERWISE SPECIFIED DIMENSIONAL TOLERANCES ARE: MM (M3)

THIRD ANGLE PROJECTION

DATE: 03/10/2022
 M.D. VARIOUS

SCALE: N/A

UVD036-DC

SHT 1 OF 2