

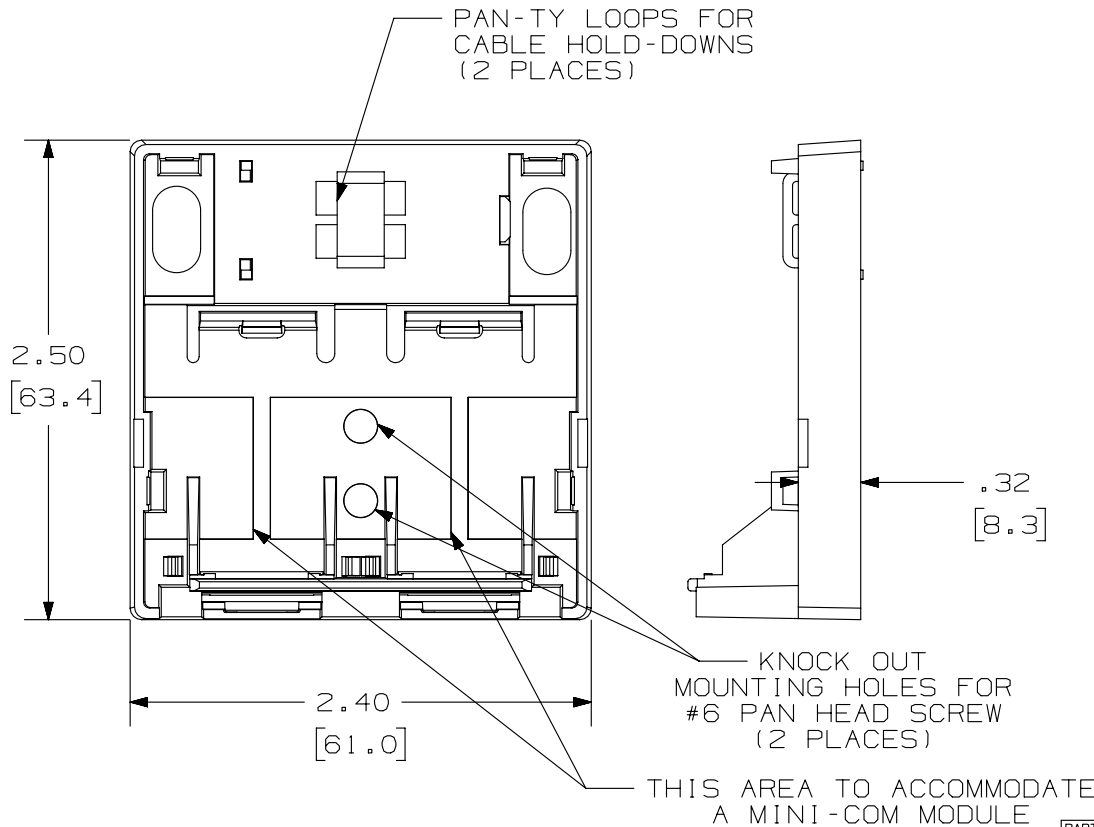
THIS COPY IS PROVIDED ON A RESTRICTED BASIS AND IS NOT TO BE USED IN ANY WAY DETRIMENTAL TO THE INTERESTS OF PANDUIT CORP.

PANDUIT P/N	WEIGHT
JOS20000 JOS20000BL	.53 LB/10 PCS (242.5 g/10 PCS)

△ A

NOTES:

- SEE CURRENT CATALOG FOR ADDITIONAL PART NUMBER SUFFIXES TO INDICATE COLOR AND OR PACKAGE QUANTITY.
- SEE CATALOG FOR A COMPLETE LIST OF PARTS APPLICABLE FOR USE WITH THIS PART.
- DIMENSIONS IN PARENTHESES ARE IN METRIC.
- ALSO INCLUDED WITH BOX:
 - (2) PLT1M-M PAN-TY
 - (1) MAGNET (ATTACHED) (CSBM-X)
 - (1) BASE
 - (1) COVER



PART NUMBER		JOS20000, JOS20000BL	
TITLE		MINI-COM 2 POSITION SHUTTERED SURFACE MOUNT BOX KIT	
		CUSTOMER DRAWING	
ITEM REVISION NAME		M00800AI/03	
DATASET FILE NAME		M00800AI-DC35/03B	
UNLESS OTHERWISE SPECIFIED, DIMENSIONAL TOLERANCES ARE: IN [mm]		MATERIAL:	
.x ± .xxx ± .010 [.3]		BOX: ABS	
.xx ± .03 [.8] ANGLES ±		DOORS: PC	
THIRD ANGLE PROJECTION		DRAWING NUMBER:	
DRAWN BY		00800-35	
DATE		SHT 1 OF 2	
CHK		SIZE	
SCALE		A	
NONE			

REV	DATE	BY	CHK	APR	DESCRIPTION	ECN
3	3-28-14	MDJR	REFR	MMR	D. REVISED TITLE.	00800-35
2	3-19-14	MDJR	REFR	MMR	C. UPDATED TITLE BLOCK.	00800-35
1	3-24-09	JSP	TCK	TCK	B. DOOR MATERIAL WAS HIPS. A. ADDED PART NUMBER JOS20000BL TO DRAWING.	00800-35
R	4-25-01	JSP	PBD	PBD	RELEASED TO PRODUCTION	00800-35

D101000DA/14

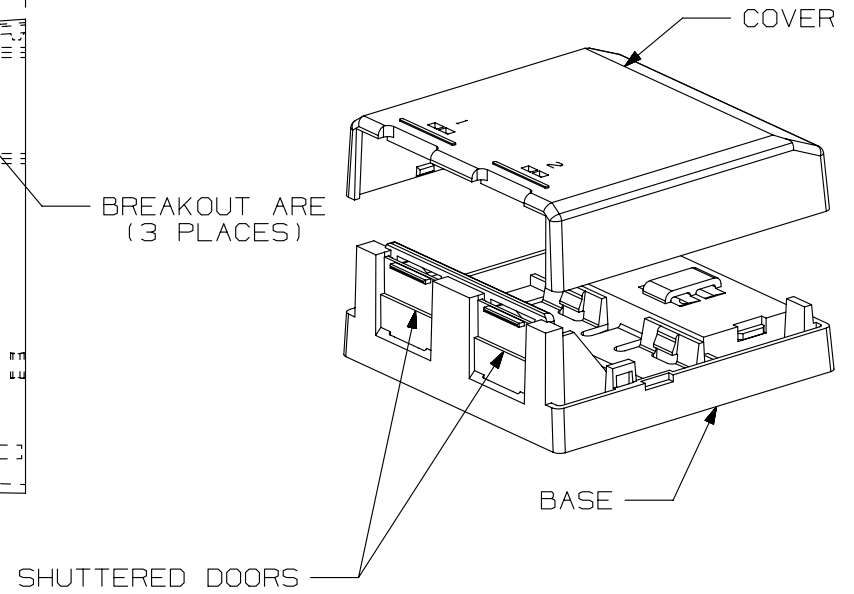
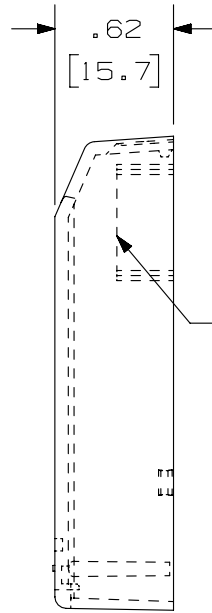
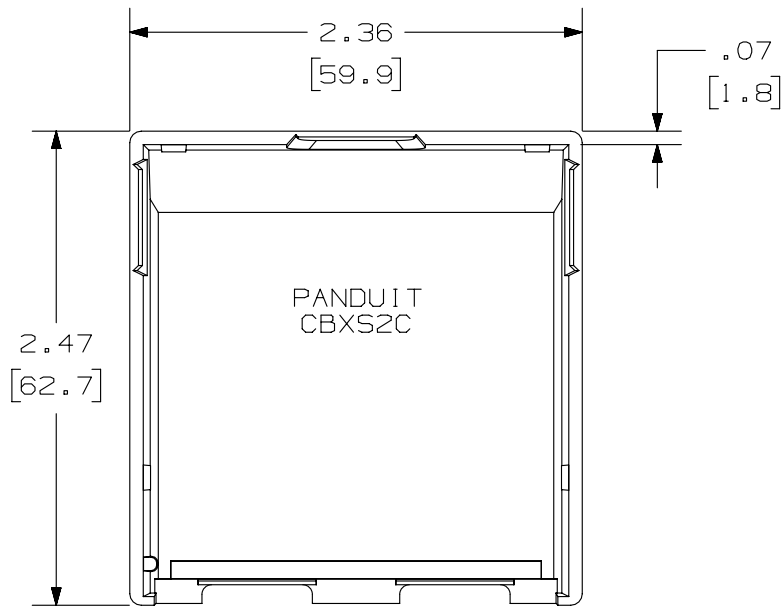
2

1

2

1

THIS COPY IS PROVIDED ON A RESTRICTED BASIS AND IS NOT TO BE USED IN ANY WAY DETRIMENTAL TO THE INTERESTS OF PANDUIT CORP.



PART NUMBER		JOS20000, JOS20000BL	
TITLE		MINI-COM 2 POSITION SHUTTERED SURFACE MOUNT BOX KIT	
		CUSTOMER DRAWING	
ITEM REVISION NAME		M00800AI/03	
DATASET FILE NAME		M00800AI-DC35/03B	
UNLESS OTHERWISE SPECIFIED, DIMENSIONAL TOLERANCES ARE: IN [mm]		MATERIAL:	
.x ± .xx ± .03 [.8]		BOX: ABS DOORS: PC	
.xxx ± .010 [.3]		DRAWING NUMBER:	
ANGLES ±		00800-35	
THIRD ANGLE PROJECTION		SHT 2 OF 2	
DRAWN BY	DATE	CHK	SCALE
JSP	4-25-01	PBD	NONE
REV	DATE	BY	CHK
DESCRIPTION		ECN	SIZE
			A

3	3-28-14	MDJR	REFR	MMR	SEE SHEET 1 OF 2.	00800-35
2	3-19-14	MDJR	REFR	MMR	SEE SHEET 1 OF 2.	00800-35
1	3-24-09	JSP	TCK	TCK	SEE SHEET 1 OF 2.	00800-35
R	4-25-01	JSP	PBD	PBD	SEE SHEET 1 OF 2.	00800-35

D10100DA/14