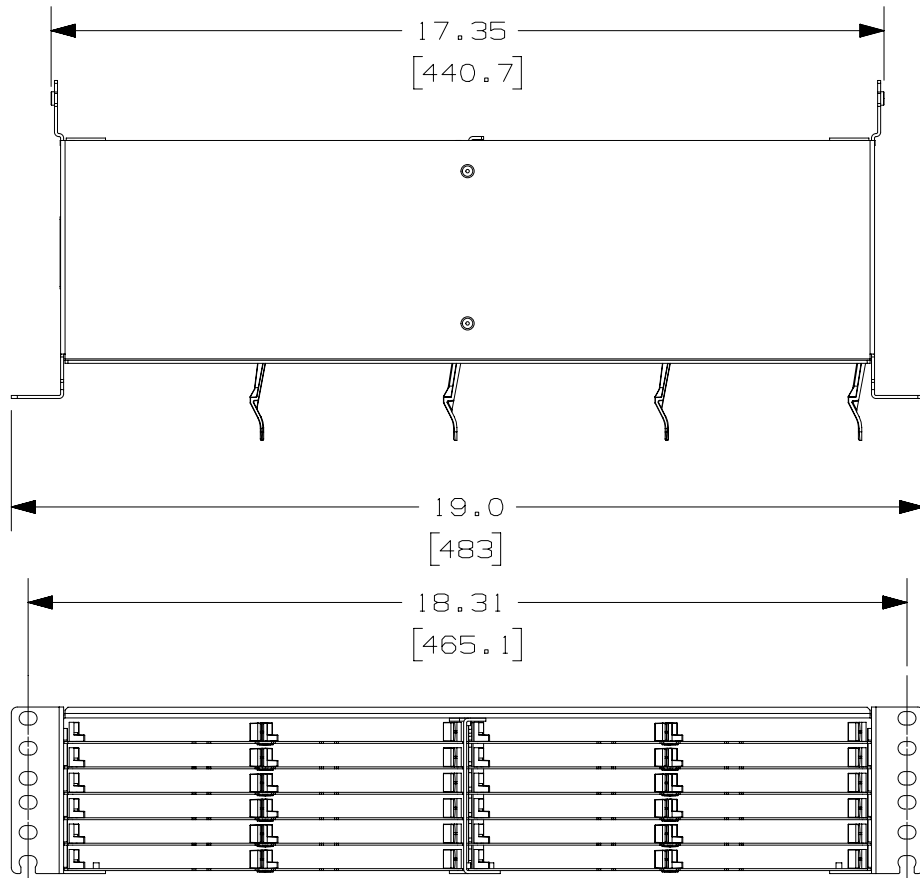
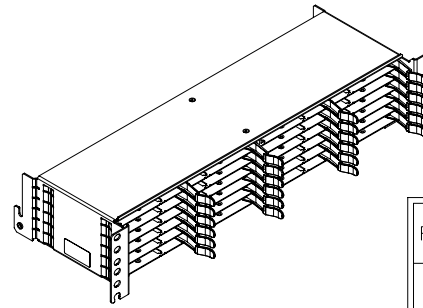


THIS COPY IS PROVIDED ON A RESTRICTED BASIS AND IS NOT TO BE USED IN ANY WAY DETRIMENTAL TO THE INTERESTS OF PANDUIT CORP.

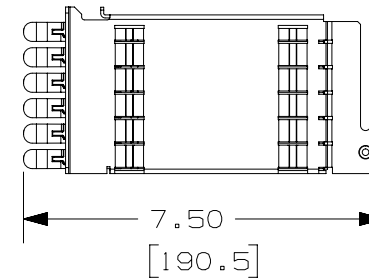


NOTES:

1. ALL MATERIALS AND COMPONENTS USED MEET THE MATERIAL RESTRICTIONS OF RoHS (EUROPEAN DIRECTIVE 2011/65/EC ON THE RESTRICTION OF HAZARDOUS SUBSTANCES) AS PROPOSED BY THE RoHS TECHNICAL ADAPTATION COMMITTEE.



PANDUIT PART NO.	WEIGHT
FLEX2UPN04	9.48 lbs (4.30 kg)
FLEX2UPN06 FLEX2UPN06WH	9.38 lbs (4.25 kg)
FLEX2UPN12	9.21 lbs (4.18 kg)



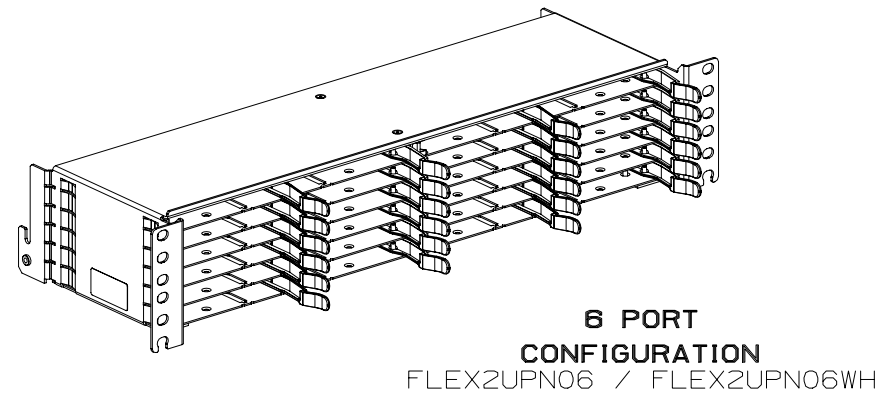
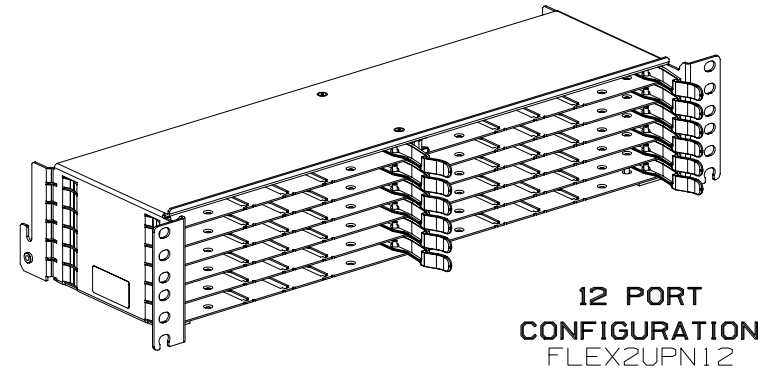
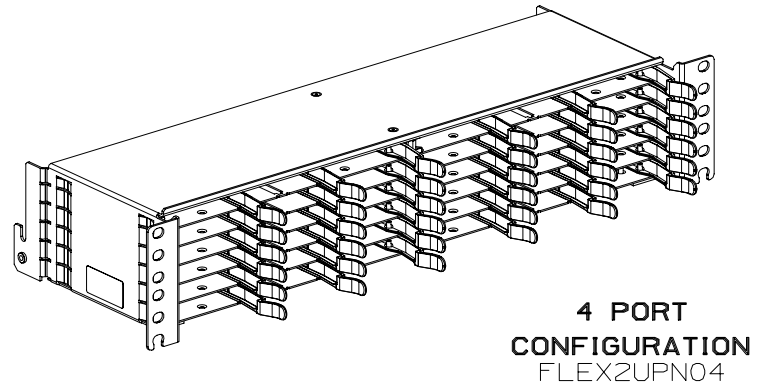
REV	DATE	BY	CHK	APR	DESCRIPTION	ECN
03A	1/20/22	JSP	WJM	ANJA	A. ADDED FLEX2UPN06WH.	15F318AE-DC
01	10-14-16	SAT	JESA	TMK	RELEASED TO PRODUCTION	15F318AE-DC

TITLE						HD FLEX PATCH PANEL					
CUSTOMER DRAWING						CUSTOMER DRAWING					
ITEM REVISION NAME						15F318AE/03					
DATASET FILE NAME						15F318AE_DC/03A					
UNLESS OTHERWISE SPECIFIED, DIMENSIONAL TOLERANCES ARE: IN (mm)						PART NO. FLEX2UPN**					
ALL DIMENSIONS ARE FOR REFERENCE ONLY						DRAWING NUMBER: 15F318AE-DC					
DRAWN BY		DATE		CHK		SCALE		SHT 1 OF 2		SIZE	
SAT		08-03-16		JESA		NONE				A	

2

1

THIS COPY IS PROVIDED ON A RESTRICTED BASIS AND IS NOT TO BE USED IN ANY WAY DETRIMENTAL TO THE INTERESTS OF PANDUIT CORP.



B

B

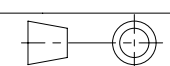


A

A

REV	DATE	BY	CHK	APR	DESCRIPTION	ECN

SEE SHEET 1 FOR REVISION

TITLE						HD FLEX PATCH PANEL					
						CUSTOMER DRAWING					
ITEM REVISION NAME			15F318AE/03			PANDUIT			PART NO. FLEX2UPN**		
DATASET FILE NAME			15F318AE_DC/03A								
UNLESS OTHERWISE SPECIFIED, DIMENSIONAL TOLERANCES ARE: IN (mm)						DRAWING NUMBER: 15F318AE-DC					
ALL DIMENSIONS ARE FOR REFERENCE ONLY						 THIRD ANGLE PROJECTION					
DRAWN BY	DATE	CHK	SCALE			DRAWN BY	DATE	CHK	SCALE		
SAT	08-03-16	JESA	NONE			SAT	08-03-16	JESA	NONE	SHT 2 OF 2	SIZE A

2

1