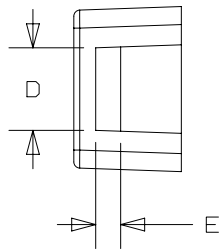
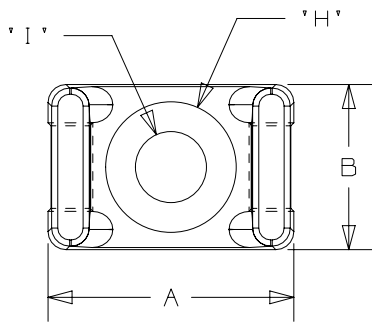


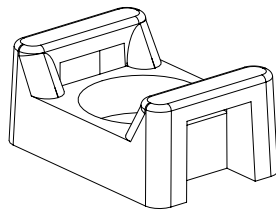
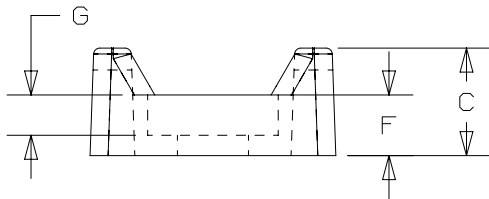
THIS COPY IS PROVIDED ON A RESTRICTED BASIS AND IS NOT TO BE USED IN ANY WAY DETRIMENTAL TO THE INTERESTS OF PANDUIT CORP.

PANDUIT PART #	RECOMMENDED FASTENER	A	B	C	D +.015 (+.38) -.005 (-.13)	E	F	G (REF)	H (REF)	I (REF)	USE WITH CABLE TIE CROSS SECTIONS	WEIGHT 100 pcs lbs (g)
TM2S8-96A	#8 (M4) SCREW	.630 (16.0)	.422 (10.7)	.275 (7.0)	.215 (5.5)	.064 (1.6)	.155 (3.9)	.105 (2.7)	.325 (8.3)	.178 (4.5)	MINIATURE INTERMEDIATE STANDARD	.12 (54)
TM3S8-96A		.867 (22.0)	.614 (15.6)	.373 (9.5)	.322 (8.2)	.087 (2.2)	.209 (5.3)	.114 (2.9)	.325 (8.3)	.178 (4.5)	STANDARD LIGHT HEAVY	.39 (177)
TM3S10-96A	#10 (M5) SCREW	.867 (22.0)	.614 (15.6)	.373 (9.5)	.322 (8.2)	.087 (2.2)	.209 (5.3)	.114 (2.9)	.385 (9.8)	.200 (5.1)		



NOTES:

1. SEE CURRENT PRICE SHEET FOR PART NUMBER SUFFIX DESIGNATION FOR PACKAGE SIZE.
2. COMPOSED OF METAL DETECTABLE NYLON WHICH HAS BEEN TREATED WITH AN ANTIMICROBIAL COMPOUND IN ORDER TO PROTECT ARTICLE.
3. COUNTERBORE HOLE TO PROVIDE LESS OF AN OBSTRUCTION TO THE BUNDLE.
4. UNIQUE CRADLE DESIGN PROVIDES MAXIMUM STABILITY AND RIGIDITY TO THE WIRE BUNDLE.



REV	DATE	BY	CHK	APR	DESCRIPTION	ECN
00A	6/8/21	RUMO	BWG	JADE	INITIAL RELEASE	102055

TITLE <b>ANTIMICROBIAL MET DET NTLON TIE MOUNTS</b>			
CUSTOMER DRAWING			
ITEM REVISION NAME <b>02455NBB/00</b>		<b>PANDUIT</b>	
DATASET FILE NAME <b>02455NBB_DC/00A</b>			
UNLESS OTHERWISE SPECIFIED, DIMENSIONAL TOLERANCES ARE: IN [ mm ]		MATERIAL: <b>ANTIMICROBIAL TREATED METAL DETECTABLE NYLON COLOR: BLUE</b>	
.x ± .1 [ 2.54 ]      .xxx ± .020 [ .51 ] .xx ± .02 [ .5 ]      ANGLES ± 5 °		DRAWING NUMBER: <b>02455NBB_DC</b>	
THIRD ANGLE PROJECTION			
DRAWN BY <b>RUMO</b>	DATE <b>6/8/21</b>	CHK <b>BWG</b>	SCALE <b>NONE</b>
SHT 1 OF 1			SIZE <b>A</b>

D10100DA/20