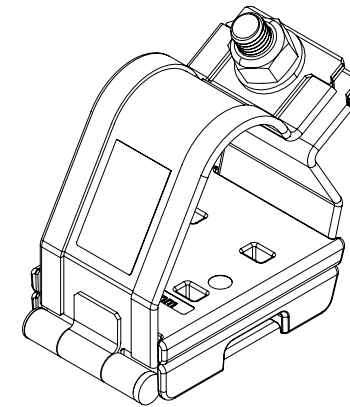


THIS COPY IS PROVIDED ON A RESTRICTED BASIS AND IS NOT TO BE USED IN ANY WAY DETRIMENTAL TO THE INTERESTS OF PANDUIT CORP.

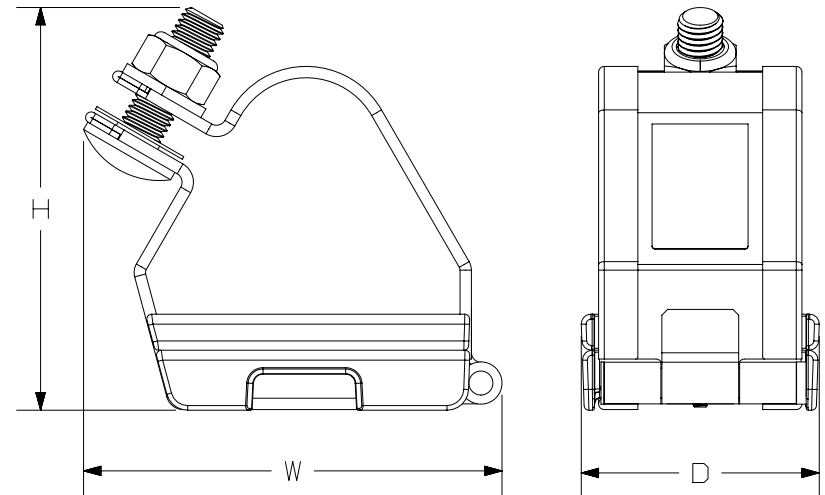
NOTES:

1. VISIT OUR ON-LINE CATALOG AT WWW.PANDUIT.COM FOR A LIST OF CURRENT PARTS APPLICABLE FOR USE WITH THIS PRODUCT.
2. DIMENSIONS IN [ ] ARE METRIC.
3. ALL MATERIALS AND COMPONENTS USED MEET THE MATERIAL RESTRICTIONS OF RoHS EUROPEAN DIRECTIVE ON THE RESTRICTION OF HAZARDOUS SUBSTANCES AS PROPOSED BY THE RoHS TECHNICAL ADAPTATION COMMITTEE.
4. TOP AND BOTTOM CLEAT PARTS ARE 316L STAINLESS STEEL. FASTENERS AND PINS ARE 18-8SS.
5. MEETS IEC 61914 SPECIFICATIONS.
6. MOUNTING FASTENERS ARE NOT INCLUDED IN THE PACKAGE AND MUST BE PURCHASED SEPARATELY.
7. SELECT M8 CARRIAGE BOLT LENGTH SUITABLE FOR THE RUNG
8. CABLE CLEAT BRACKET, PART NUMBER CBH##L##-V6, IS SOLD SEPARATELY.
9. CONTACT PANDUIT SALES FOR CUSTOMIZED SOLUTIONS.



PANDUIT CABLE CLEAT ASSEMBLY FOR CABLE TREFOIL CONFIGURATIONS

PART NUMBER	CABLE DIAMETER RANGE in. [mm]	"H" in. [mm]	"W" in. [mm]	"D" in. [mm]	WEIGHT lb [g]	MOUNTING HOLES
CCSSTR2025-X	0.79-0.98 [20-25]	3.43 [87]	3.39 [86]	2.48 [63]	0.92 [417]	1 X M8
CCSSTR2328-X	0.91-1.10 [23-28]	3.58 [91]	3.54 [90]	2.48 [63]	0.97 [439]	1 X M8
CCSSTR2632-X	1.02-1.26 [26-32]	3.74 [95]	3.82 [97]	2.48 [63]	1.06 [480]	1 X M8
CCSSTR3036-X	1.18-1.42 [30-36]	3.94 [100]	4.13 [105]	2.48 [63]	1.14 [518]	1 X M8
CCSSTR3440-X	1.34-1.58 [34-40]	4.25 [108]	4.37 [111]	2.48 [63]	1.21 [547]	1 X M8
CCSSTR3844-X	1.50-1.73 [38-44]	4.25 [108]	4.69 [119]	2.48 [63]	1.28 [581]	1 X M8
CCSSTR4248-X	1.65-1.89 [42-48]	4.41 [112]	4.96 [126]	2.48 [63]	1.35 [613]	1 X M8
CCSSTR4652-X	1.81-2.05 [46-52]	4.61 [117]	5.24 [133]	2.48 [63]	1.43 [647]	1 X M8
CCSSTR5057-X	1.97-2.24 [50-57]	4.84 [123]	5.63 [143]	2.48 [63]	1.51 [686]	1 X M8
CCSSTR5461-X	2.13-2.40 [54-61]	5.12 [130]	5.91 [150]	2.48 [63]	1.59 [720]	1 X M8
CCSSTR5865-X	2.28-2.56 [58-65]	5.43 [138]	6.18 [157]	2.48 [63]	1.66 [754]	1 X M8
CCSSTR6269-X	2.44-2.72 [62-69]	5.71 [145]	6.50 [165]	2.48 [63]	1.72 [782]	1 X M8



TITLE									
<b>STAINLESS STEEL TREFOIL CABLE CLEAT</b>									
CUSTOMER DRAWING									
ITEM REVISION NAME					00017EKZ/02				
DATASET FILE NAME					00017EKZ_DC/02A				
					THIRD ANGLE PROJECTION				
MATERIAL					316L STAINLESS STEEL				
					DRAWING NUMBER				
					00017EKZ_DC				
DRAWN BY		DATE		CHK		SCALE		SIZE	
ACC		07-27-18		RGRO		NONE		A	
SHEET 1 OF 1									

REV	DATE	BY	CHK	APR	DESCRIPTION	ECN
02A	06-01-23	JBN	ACC	ADAH	B. REMOVED STAMP PART NUMBER, ADDED LABEL	131359/00
	01-28-20	ACC	GBI	JADE	A. UPDATED NOTE 4 AND MATERIAL TO "316L STAINLESS STEEL"	
01A	04-02-19	ACC	GBI	JADE	UPDATED NOTE 3, ADDED TEXT TO PART	041880/00
00	10-15-18	ACC	GBI		INITIAL RELEASE	

A-SIZE CUSTOMER