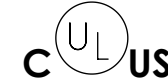


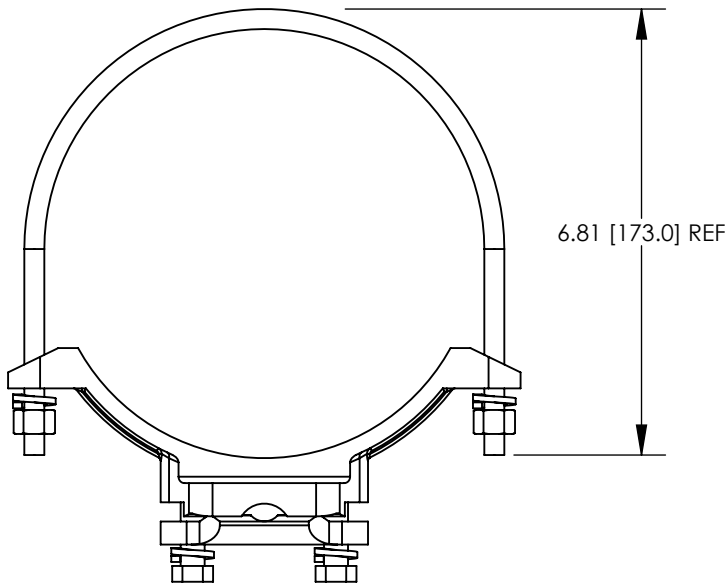
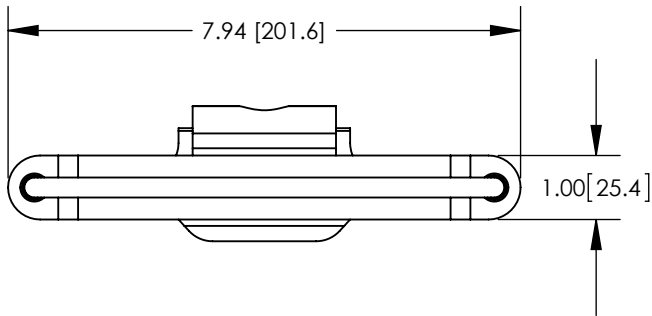
THIS COPY IS PROVIDED ON A RESTRICTED BASIS AND IS NOT TO BE USED IN ANY WAY DETRIMENTAL TO THE INTERESTS OF PANDUIT CORP.

NOTES:

1. MATERIAL:
BODY: BRONZE (GUN METAL)
NUT/WASHER/BOLT: PHOS. BRONZE
2. PARTS ARE cULus LISTED TO UL467 AS
GROUNDING & BONDING EQUIPMENT
3. RATED FOR DIRECT BURIAL
4. DIMENSIONS IN PARENTHESIS ARE MILLIMETERS.
5. PACKAGING QTY:
1 = 1



DB **RATED**



PART NUMBER	DESCRIPTION	WIRE RANGE	PIPE SIZE
GPL-76-1	GROUND CLAMP CONNECTOR	2/0 STR - 250 kcmil	6"

REV	DATE	BY	CHK	APR	DESCRIPTION	ECN
00	9/13	JHNU	SRBI	RGB	DRAWING RELEASED	13J051AF-JC

TITLE GROUND CLAMP (GPL-76) CUSTOMER DRAWING	
ITEM REVISION NAME 13J051AF/00	PANDUIT
DATASET FILE NAME 13J051AF-JC/00.SLDDRW	
UNLESS OTHERWISE SPECIFIED, DIMENSIONAL TOLERANCES ARE: IN [mm] .X ± .XXX ± .XX ± .1 [2.6] ANGLES ±	
THIRD ANGLE PROJECTION	
DRAWN BY JHNU	DATE 9/13
CHK SRBI	SCALE NONE
DRAWING NUMBER 13J051AF-JC	
SHEET 1 OF 1	
SIZE A	