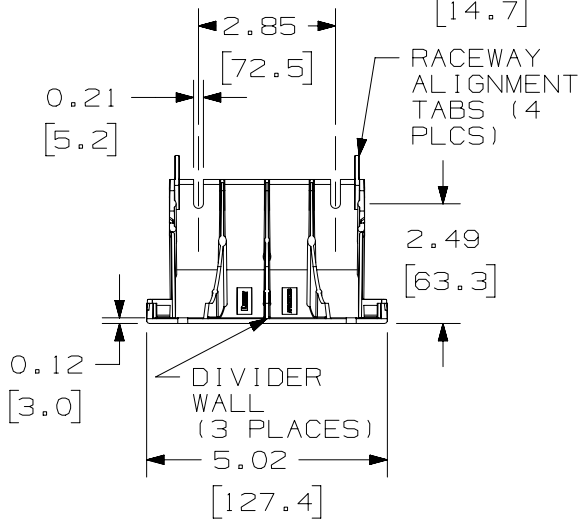
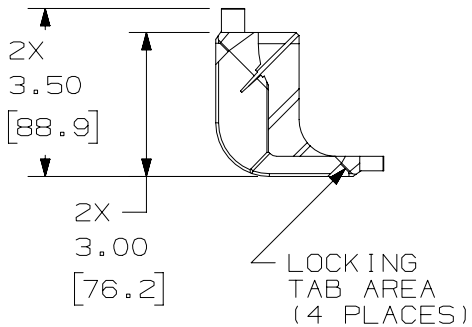
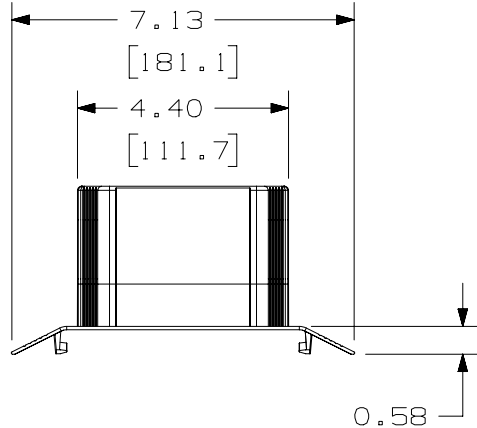
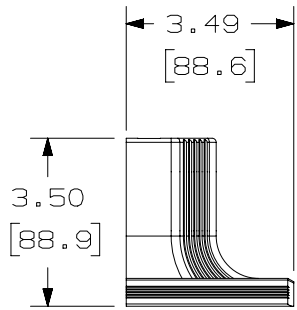
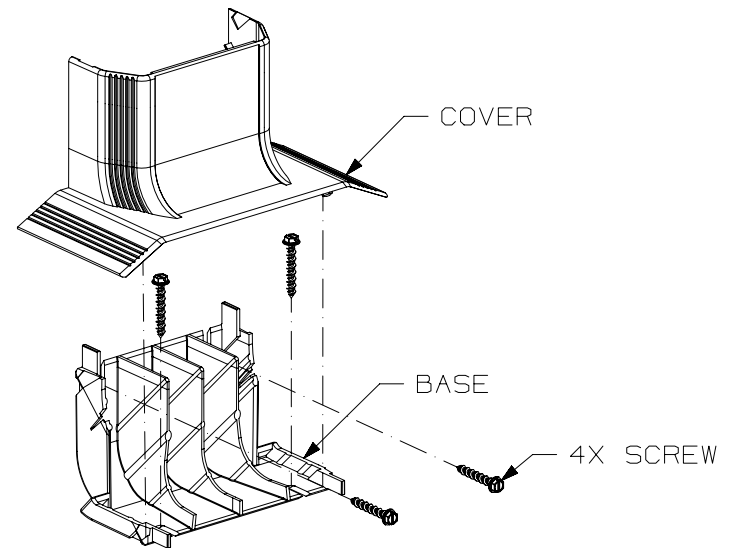


THIS COPY IS PROVIDED ON A RESTRICTED BASIS AND IS NOT TO BE USED IN ANY WAY DETRIMENTAL TO THE INTERESTS OF PANDUIT CORP.



- NOTES:
- VISIT OUR ON-LINE CATALOG AT WWW.PANDUIT.COM FOR A LIST OF CURRENT PARTS APPLICABLE FOR USE WITH THIS PRODUCT.
 - DIMENSIONS IN [] ARE METRIC.
 - WEIGHT: 0.45-lb (0.20-kg)
 - PART INCLUDES:
 - 1- ABOVE FLOOR RACEWAY 4-CHANNEL TRANSITION TO T70 BASE
 - 1- ABOVE FLOOR RACEWAY 4-CHANNEL TRANSITION TO T70 COVER
 - 4- 3/16" X 1-1/4" HEX WASHER HEAD CONCRETE SCREW
 - RoHS COMPLIANT, UL 94V-0 MATERIAL
 - THIS PRODUCT IS INTENDED TO BE USED WITH PANDUIT TYPE T70 RACEWAY



PART NUMBER		AFR4TRT70**		
TITLE		ABOVE FLOOR RACEWAY 4-CHANNEL TRANSITION TO T-70 FITTING		
ITEM REVISION NAME		CUSTOMER DRAWING		
DATASET FILE NAME		00064EAD/01		
		00064EAD_DC/01C		
MATERIAL		PVC		
DRAWING NUMBER		00064EAD-DC		
DRAWN BY		DATE	CHK	SCALE
BJN		8-22-17	ROJC	NONE
SHEET 1 OF 1		A		

A-SIZE CUSTOMER

REV	DATE	BY	CHK	APR	DESCRIPTION	ECN
01C	5-27-22	BJN	BSN	TAM	REMOVED COLOR TABLE	M09000QH
01B	12-28-21	BJN	ROJC	MMR	REMOVED IW COLOR REVISED & REDRAWN PREVIOUS REVISIONS REMVD FOR CLARITY	M09000PF