

Industrial Network Uninterruptible Power Supply (UPS)

specifications

The Uninterruptible Power Supply (UPS) shall be powered by 24VDC (nominal) input and provide 24VDC (nominal) output at 100 Watts (max.) for a duration of 1.0 minutes, typ. Ultracapacitors shall be employed for energy storage instead of rechargeable batteries, for maintenance-free operation. Remote device management shall be provided via Ethernet interface and multiple source, platform independent software with SNMP v1/v2c/v3 capability. The UPS shall have the ability to monitor load current and predict Hold Time in single or dual power supply applications. The UPS shall monitor and report temperature to predict changes in capacity over its lifetime. The UPS shall offer DIN rail mounting and UL508 approval for integration into NEMA control panels or equipment cabinets.



technical information

Input power:	24.0 to 28.0 VDC
Output power:	100 Watts (4.55 Amps) max.
Control output:	1x Form A , 30VAC/VDC at 1 Amp max.
Operating temp:	-40°C to +60°C (-40°F to +140°F)
Standards:	cULus, UL 60950-1, UL 508, CSA C22.2 NO. 107.1-01 CAN/CSA C22.2 No. 60950-1-07 IEC 60950-1(ed.2); am1; am2 CAD ICES-3(A)/NMB3(A) CFR 47 FCC Part 15 Subpart B, IEC-003-2016, CNS 13438: 2006 UL 121201 and CAN/CSA C22.2 No. 213-17, Nonincendive Electrical Equipment for Use in Class I and II, Division 2 and Class III, Divisions 1 and 2 Hazardous (Classified) Locations IECEX EN 60079-0:2012+A11:2013 or EN 60079-15:2015 DEMKO 14 ATEX 1236X Complies with CE, RCM, RSM RCM
Mounting:	EN 60715 NS35 DIN rail mount
RoHS compliant:	Yes
Environmental rating:	EN 60529 IP20
Event management:	Yes (event log)
Backup power:	Storage capacity: 9.3kW-sec (equivalent to 0.12 Amp-hours at 22VDC) Hold Time: 1.0 minutes, typ. at 100W load Hold Time prediction: Yes Lifetime prediction: Yes
Communications interface:	Ethernet (RJ45)
Network interface:	EtherNet/IP CONFORMANCE TESTED* SNMP v1/v2c/v3 Support including UPS-MIB and RFC1213-MIB
User interface:	HTML browser

key features and benefits

Ultracapacitor technology	<ul style="list-style-type: none"> • Reduces the risk of downtime from battery failures • Provides maintenance-free operation, saves expenses on battery inspections, testing, and replacement • Eliminates cost on HazMat waste battery disposal • Eliminates hydrogen gas buildup inside the enclosure
Remote management with auto alerts	<ul style="list-style-type: none"> • Saves time by monitoring Hold Time and Lifetime from the factory floor or office • Easy device monitoring through Simple Network Management Protocol (SNMP v1/v2c/v3) • Works with standard web browsers and EtherNet/IP** to easily integrate with FactoryTalk*** network devices; saves time and money on proprietary software
Compact, one-piece design	<ul style="list-style-type: none"> • Saves valuable panel space – 80mm DIN rail width is less than 1/2 the size of typical battery UPS; installs quickly and easily
Wide operating temperature range	<ul style="list-style-type: none"> • Delivers consistent performance from -40°C to +60°C

*EtherNet/IP CONFORMANCE TESTED is a certification mark of ODVA, Inc.

**EtherNet/IP is a trademark of ODVA, Inc.

***FactoryTalk is registered by Rockwell Automation in the Patent and Trademark Office of the United States.

Industrial Network UPS

UPS UPS00100DC

Load Sense Module (Optional Accessory)

LSM UPS003LSM

Integrated Network Zone Systems, Includes a Panduit Industrial UPS

24" x 24" enclosure (various configurations): Z22N-xxxx5

24" x 36" enclosure (various configurations): Z23N-xxxx5

Switch Ready Network Zone Systems, Includes a Panduit Industrial UPS

24" x 24" enclosure (various configurations): Z22R-xx5x

24" x 36" enclosure (various configurations): Z23R-xx5x

Pre-Configured Network Zone Systems

24" x 24" enclosure: Z22C-S

24" x 36" enclosure: Z23C-S

Universal Network Zone Systems, Includes a Panduit Industrial UPS

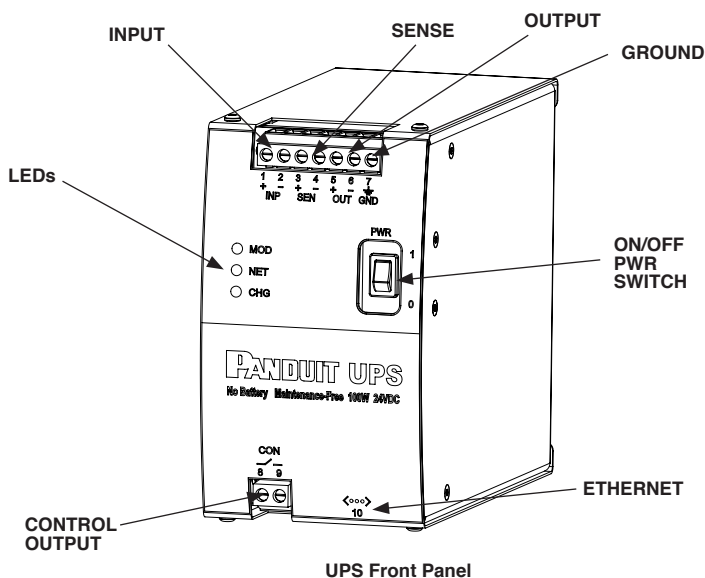
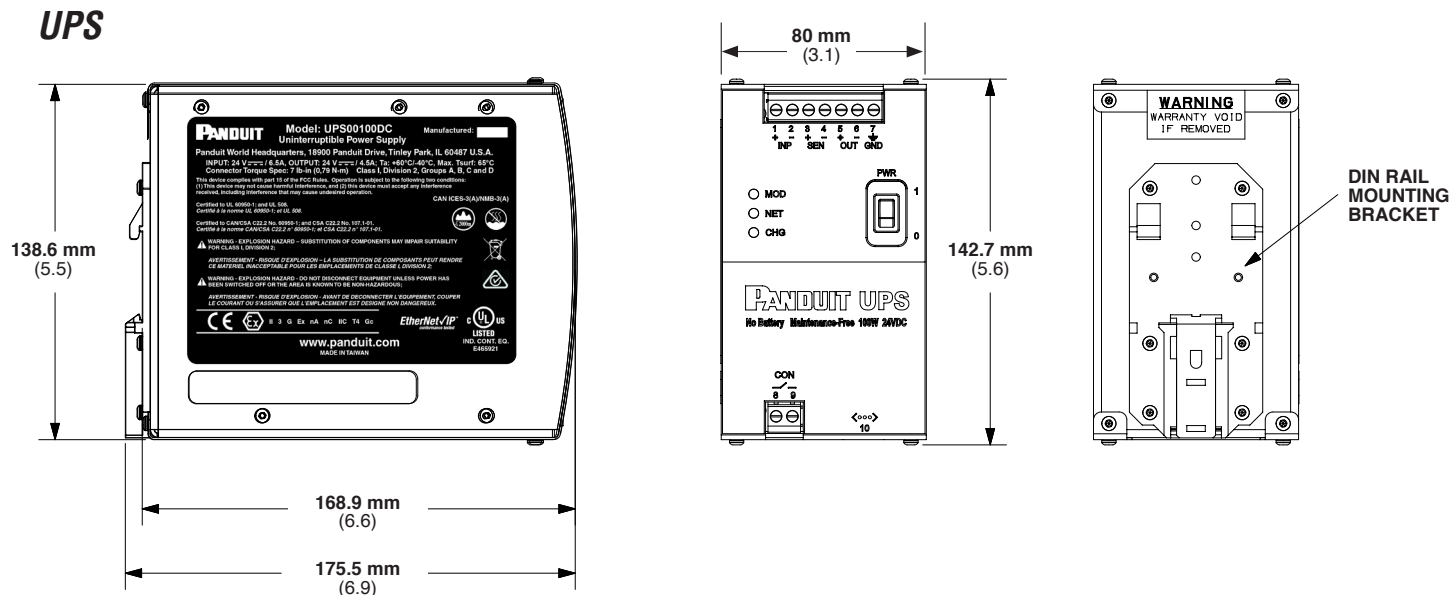
24" x 24" enclosure (various configurations): Z22U-xx5x

24" x 36" enclosure (various configurations): Z23U-xx5x

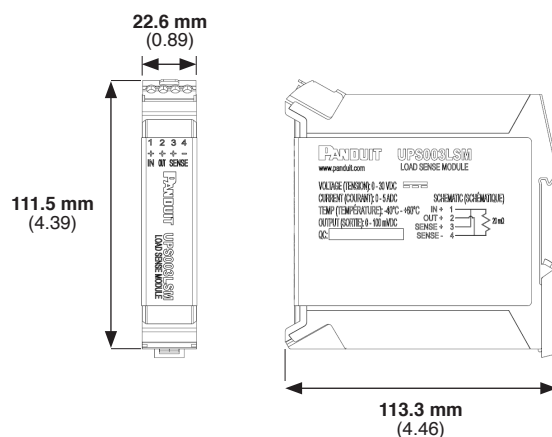
Industrial Network Uninterruptible Power Supply (UPS)

applications

The Panduit Industrial Network UPS is intended to provide uninterrupted power for critical applications including managed network switches, micro PLCs, and HMIs deployed on the factory floor. The device is suitable for use in extremely low temperature environments and elevated temperatures without loss of performance or reduced life.



Load Sense Module (Optional Accessory)



Dimensions are metric. (Dimensions in parentheses are inches.)

WORLDWIDE SUBSIDIARIES AND SALES OFFICES

PANDUIT US/CANADA
Phone: 800.777.3300

PANDUIT EUROPE LTD.
London, UK
Phone: 44.20.8601.7200

PANDUIT SINGAPORE PTE. LTD.
Republic of Singapore
Phone: 65.6305.7575

PANDUIT JAPAN
Tokyo, Japan
Phone: 81.3.6863.6000

PANDUIT LATIN AMERICA
Guadalajara, Mexico
Phone: 52.33.3777.6000

PANDUIT AUSTRALIA PTY. LTD.
Victoria, Australia
Phone: 61.3.9794.9020

For a copy of Panduit product warranties, log on to www.panduit.com/warranty

PANDUIT™

Visit us at www.panduit.com/ups

iai@panduit.com

©2018 Panduit Corp.
ALL RIGHTS RESERVED.
PUSP12--WW-UKE
9/2018