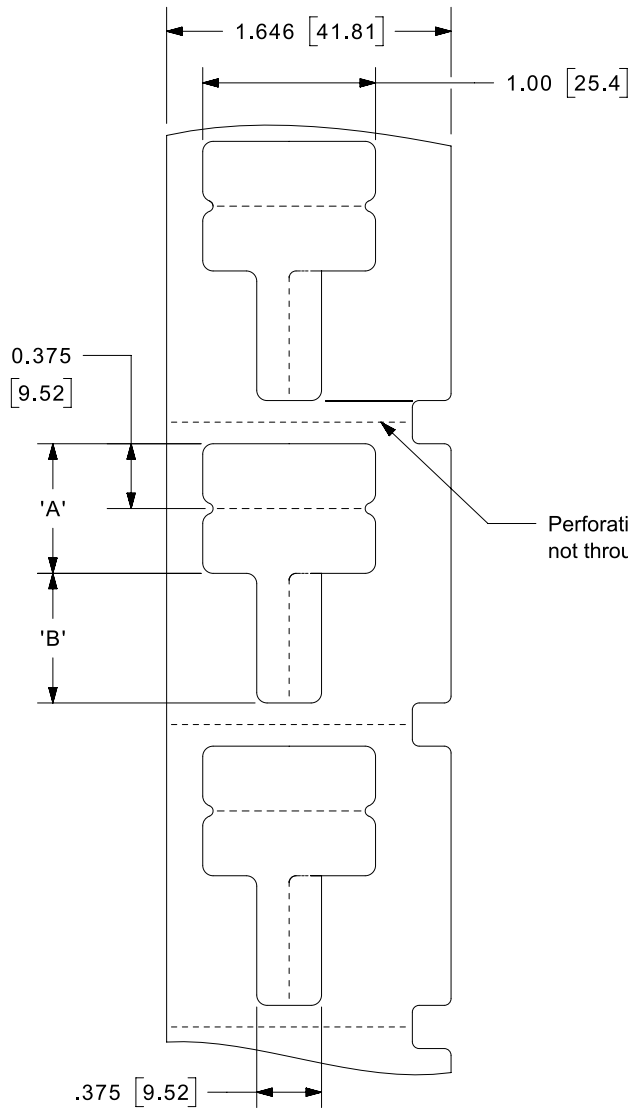
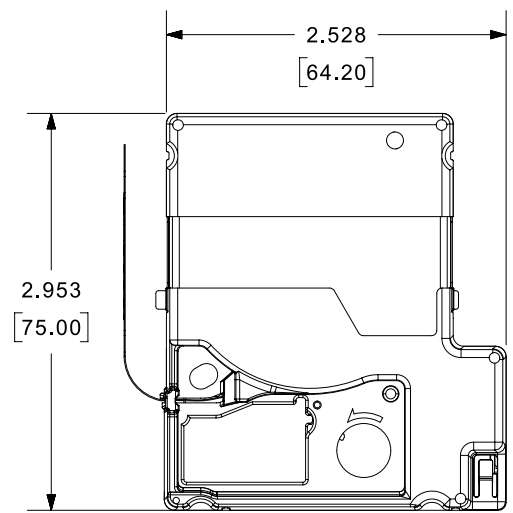
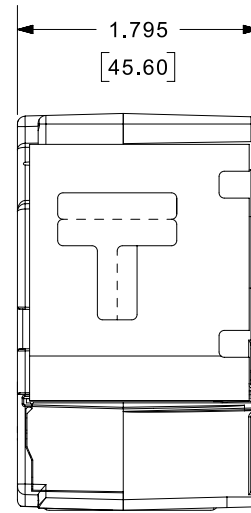


THIS COPY IS PROVIDED ON A RESTRICTED BASIS AND IS NOT TO BE USED IN ANY WAY DETRIMENTAL TO THE INTERESTS OF PANDUIT CORP.



Perforation is only on polyester, not through the liner.



PART NO.	MATERIAL	COLOR	'A'	'B'	CASSETTE LABELS PER ROLL	WIRE DIAMETER RANGE	COMPATIBLE PRINTER
F100X150AJM	GMV4-HT	WHITE	0.75 [19.1]	0.75 [19.1]	150	0.12" - 0.20"	MP300

**A**

TITLE		<b>FLAG LABEL PXE CASSETTE</b>	
ITEM REVISION NAME		CUSTOMER DRAWING	
DATASET FILE NAME		<b>PANDUIT</b>	
UNLESS OTHERWISE SPECIFIED, DIMENSIONAL TOLERANCES ARE: IN [mm]		<b>SEE TABLE</b>	
DRAWING NUMBER:		I00743X0_DC	
DRAWN BY	DATE	CHK	SCALE
RVU	4/12/19	JHAC	NTS
SHT 1 OF 1		A	

REV	DATE	BY	CHK	APR	DESCRIPTION	ECN
01C	10/13/2023	RVU	JSUN	MSAD	A. 150 WAS 130.	GAECN06921
01B	8/21/2023	RVU	JSUN	MSAD	E. CHANGED TITLE FROM MP TO PXE. D. ADDED PERF. NOTE. C. ADDED WIRE DIAMETER RANGE, 0.12"- 0.20". B. UPDATED TABLE. A. 130 WAS 150.	GAECN06843
01A	9/2/2022	RVU	DAPE	MSAD	ADDED NEW PERFORATION ON THIS FLAG.	GAECN06595
00A	5/28/2020	RVU	RCMC	JHAC	DRWING RELEASE.	GAECN04944

D110100DA/20