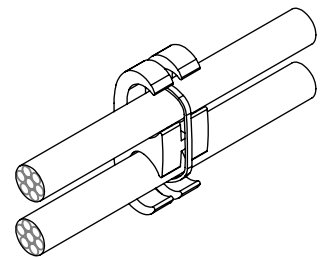
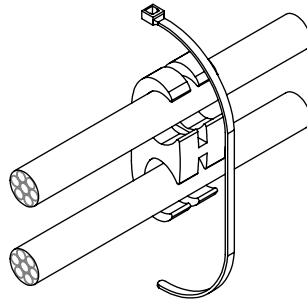
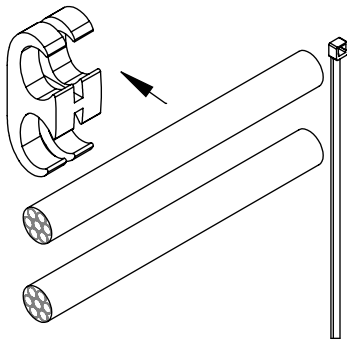
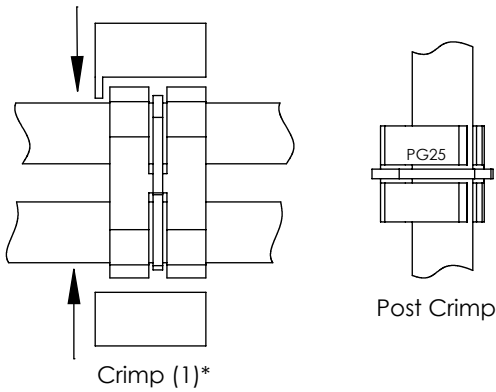


Views using Cable Ties



Crimping Views - UL/CSA



1 crimp exceeds

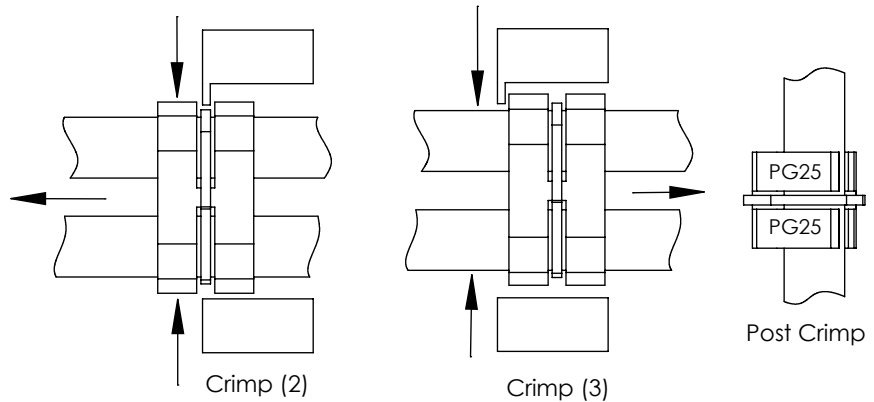


LISTED
467



CERTIFIED
22.2

Crimping Views - IEEE



3 crimps meets



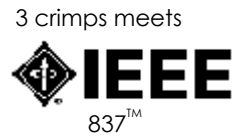
IEEE
837™

Crimp Tools:
CT-920, CT-920CH, CT-2931, CT-940CH/BJO
For a full list of crimp tools go to www.panduit.com
Warning: Do not use with CT-940CH or CT-2940/ST or damage to crimp tool may result.

Note: Factory installed anti-oxidant may discolor over time, but product performance is not diminished.
Remove all non-conductive material from mating surfaces prior to installation.

Connection Type	Wire to Ground Rod or Wire to Rebar				Wire to Wire			
	UL 467 / DB Rated / CSA Certified 22.2		IEEE837-2014		UL 467 / DB Rated / CSA Certified 22.2		IEEE837-2014	
Part Number	No. of Connectors	No. of Crimps	No. of Connectors	No. of Crimps	No. of Connectors	No. of Crimps	No. of Connectors	No. of Crimps
E-TAPS								
GCE1/0-1/0	1	1	N/A	N/A	1	1	One connector required #6 SOL-1/0 (16-50mm ²)	3
GCE250-1/0	1	1	N/A	N/A	1	1	One connector required #6 SOL-1/0 (16-50mm ²)	3
GCE250-250	1	1	One connector use with 1/2"-5/8" CU/STL Ground Rod	3	1	1	One connector required for any wire to wire combination of Main/Run/Tap using a 1/0-3/0 (70mm ²)	3
							Two Connectors with 1.5" spacing between connectors required for any wire to wire combination of Main/Run/Tap using a 4/0-250 kcmil (95-120mm ²)	3
GCE500-1/0	1	1	N/A	N/A	1	1	One connector required #6 SOL-1/0 (16-50mm ²)	3
GCE500-250	1	1	N/A	N/A	1	1	One connector required for any wire to wire combination of Main/Run/Tap using a 1/0-3/0 (70mm ²)	3
							Two Connectors with 1.5" spacing between connectors required for any wire to wire combination of Main/Run/Tap using a 4/0-250 kcmil (95-120mm ²)	3
GCE500-500	1	3	N/A	N/A	1	3	N/A	N/A
X-CONNECTS	No. of Connectors	No. of Crimps	No. of Connectors	No. of Crimps	No. of Connectors	No. of Crimps	No. of Connectors	No. of Crimps
GCC6X6250-1/0	1	1	N/A	3	1	1	One connector with smallest Main/Run 250 kcmil (120mm ²) and tap #6 SOL-1/0 (16-50mm ²)	3
GCC6X6250-250	1	1	N/A	3	1	1	One connector with smallest Main/Run 250 kcmil (120mm ²) and tap #6 SOL-1/0 (16-50mm ²)	3
GCC6X6500-250	1	1	N/A	3	1	1	N/A	N/A

1 crimp exceeds



For Instructions in Local Languages and Technical Support:

www.panduit.com/resources/install_maintain.asp



www.panduit.com

E-mail: cs@panduit.com

Phone: 800-777-3300