



# FOR USE WITH PANDUIT SURFACE RACEWAY ROUTING SYSTEM

## PAN-WAY Type T70 Transition Fitting with Transition Bend Radius

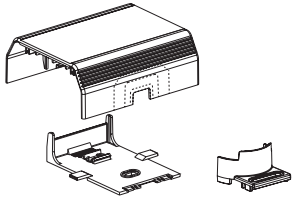
Part Numbers: T70TR (Base, Cover and Bend Radius) for Power Application  
T70TRC (Cover and Bend Radius) for Low Voltage

### INSTALLATION INSTRUCTIONS

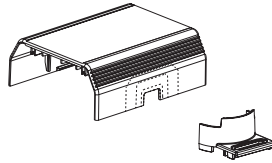
©Panduit Corp. 2005

Printed in U.S.A.

#### T70TR POWER



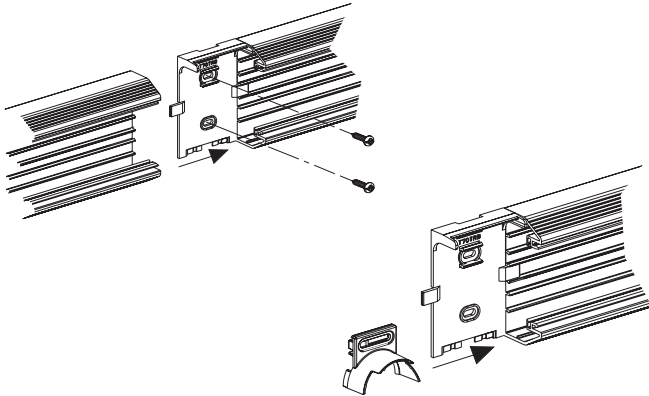
#### T70TRC DATA



#### BREAKOUTS

BASE/COVER	RACEWAY
A	LD3, LDPH3, LDS3
B	LD5, LDPH5, LDS5
C	LD10, LDPH10
D	T-45

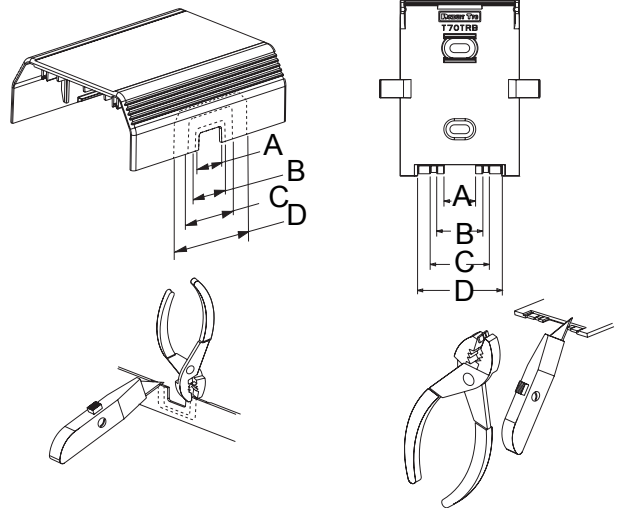
#### POWER APPLICATION



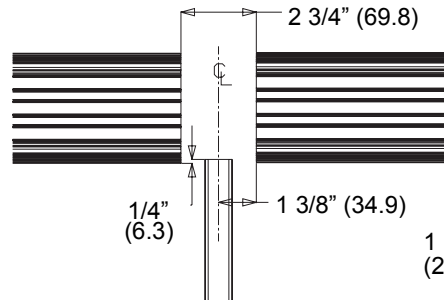
1 1/8"  
(28.5)



The mounting hardware used to secure the raceway shall be appropriate for the mounting surface. #8 or #10 screws (not included)

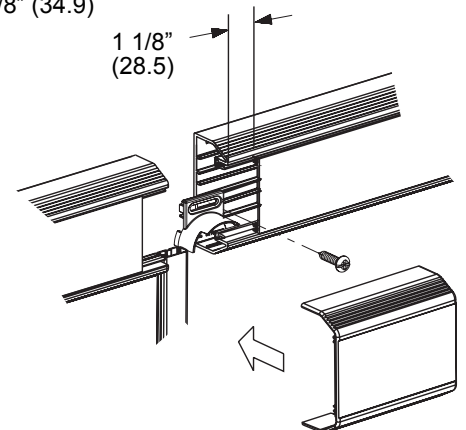


#### DATA APPLICATION



1 3/8" (34.9)

1 1/8"  
(28.5)



DIMENSIONS IN PARENTHESIS ARE IN METRIC

INSTRUCTION SHEET RW24

#### WORLDWIDE SUBSIDIARIES AND SALES OFFICES

17301 Ridgeland Avenue  
Tinley Park, IL 60477-3091  
Web Site: [www.panduit.com](http://www.panduit.com)



RACEWAY SYSTEMS DIVISION

Technical Support: 866-405-6656  
Fax: 866-449-1702  
Email: [netconnsupport@panduit.com](mailto:netconnsupport@panduit.com)