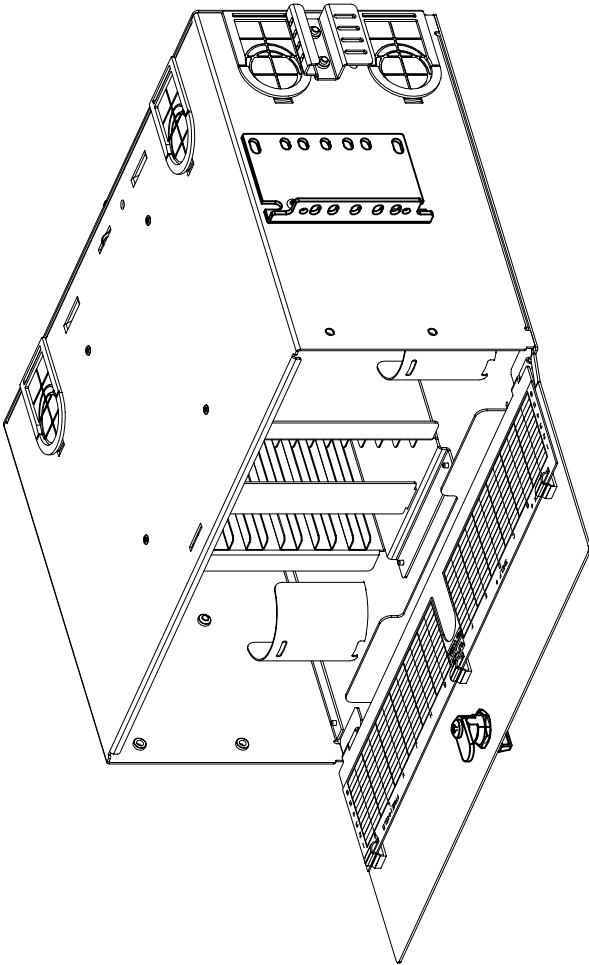


THIS COPY IS PROVIDED ON A RESTRICTED BASIS AND IS NOT TO BE USED IN ANY WAY DETRIMENTAL TO THE INTERESTS OF PANDUIT CORP.

**NOTES:**

1. SEE CATALOG FOR COMPLETE LIST OF PARTS APPLICABLE FOR USE WITH THIS PART.
2. DIMENSIONS IN PARENTHESES ARE IN METRIC.
3. KIT CONTAINS (KIT INCLUDED WITH ENCLOSURE):
  - 5 - PAN-TY CABLE TIES
  - 1 - GROUNDING LUG
  - 1 - HEX NUT
  - 1 - FIBER CAUTION LABEL
  - 1 - FIBER LASER BEAM WARNING LABEL
  - 2 - BAGS OF #12 - 24 X .5" SCREWS
  - 1 - 24" LENGTH OF SPIRAL WRAP
  - 8 - SADDLE MOUNT
  - 1 - BAG OF #10 - 32 X .3125" PHILLIPS PAN-HEAD SCREWS
  - 10 - VELCRO CABLE TIES
4. ENCLOSURE FITS INTO A 19" OR 23" RACK SPACE.
5. ENCLOSURE CAN BE MOUNTED FLUSH OR PROJECTED IN RACK OPENING.
6. MATERIAL: 16 GAUGE GALVANNEALED C.R.S. HOUSING; 16 GAUGE GALVANNEALED C.R.S. FRONT AND BACK COVER; STEEL



CAD FILENAME/LAYERS

M00406AA\_DC\_03A.PRT

# PANDUIT

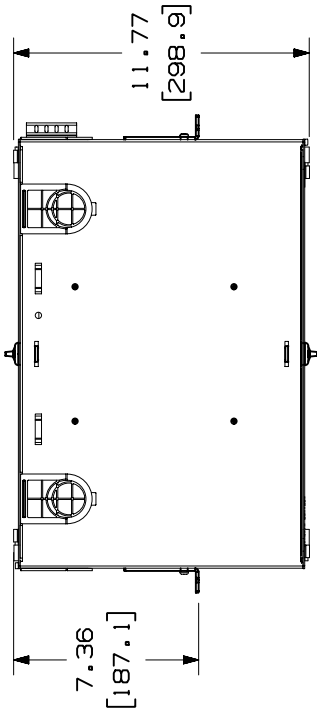
CORP. TINLEY PARK, ILLINOIS  
 FIBER ENCLOSURE, 4 RACK SPACE SPLICE (FRAME144SBL) CUSTOMER DRAWING

UNLESS OTHERWISE SPECIFIED, DIMENSIONAL TOLERANCES ARE:  
 (.X) ± (.XXX) ± 0.10 (.3)  
 (.XX) ± .03 (.8) ANGLES ±

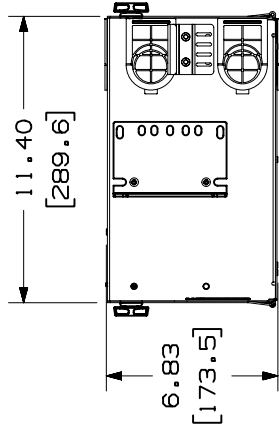
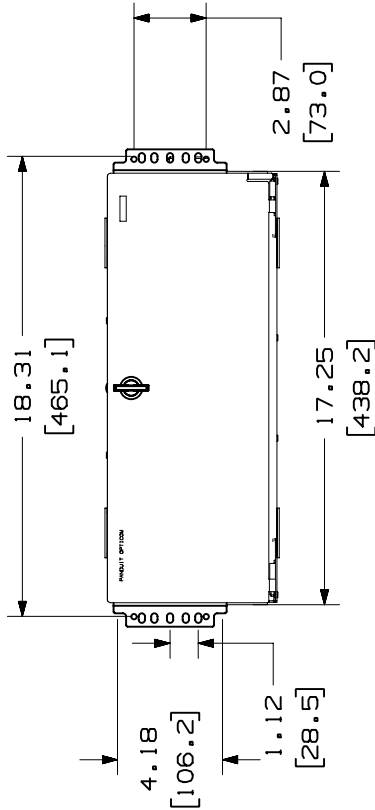
UNLESS OTHERWISE SPECIFIED, ALL DIMENSIONS ARE GIVEN IN INCHES, THIRD ANGLE PROJECTION.

REV	DATE	BY	CHK	DESCRIPTION	ECN	CHK	CUST	SUP
R	3-24-99	JBA		SEE SHEET 1 OF 2 FOR CURRENT REVISIONS.	00406-21			
DRAWN BY: JBA DATE: 3-24-99 CHECKED BY:								
MAT'L:								
SCALE: NONE								
SEE NOTES								
DRAWING NO. 00406-21 SHEET 2 OF 2								
DWG SIZE A								

THIS COPY IS PROVIDED ON A RESTRICTED BASIS AND IS NOT TO BE USED IN ANY WAY DETRIMENTAL TO THE INTERESTS OF PANDUIT CORP.



PANDUIT P/N	WEIGHT
FRME144SBL	19.35 LB/EACH (8795 G/EACH)



CAD FILENAME/LAYERS

M00406AA\_DC\_03A.PRT

**PANDUIT**

CORP., TINLEY PARK, ILLINOIS

FIBER ENCLOSURE, 4 RACK  
SPACE SPLICE (FRME144SBL)  
CUSTOMER DRAWING

UNLESS OTHERWISE SPECIFIED,  
DIMENSIONAL TOLERANCES ARE:  
(.X) ± .010 (.3)  
(.XX) ± .03 (.8) ANGLES ±

UNLESS OTHERWISE SPECIFIED,  
ALL DIMENSIONS ARE GIVEN  
IN INCHES, THIRD ANGLE PROJECTION.

DRAWN BY JBA  
DATE 3-24-99  
CHECKED BY

SEE NOTES

SCALE NONE

DWG NO. 00406-21  
SHEET 1 OF 2  
SIZE A

REV	DATE	BY	CHK	DESCRIPTION	ECN	CHK	CUST	SUP
R	3-24-99	JBA		RELEASED TO PRODUCTION.	00406-21			