

PanPlug® TX6A™ 26 AWG UTP Modular Plug for Solid/Stranded cable

SPECIFICATIONS

Category 6A/Class EA, 8-position, 8-wire, UTP modular plug shall terminate 4-pair, 26 AWG, 100 ohms, solid or stranded unshielded twisted pair patch cable with maximum conductor insulation diameter of 0.034 inches (0.86mm) and a maximum jacket diameter of 0.25 inches (6.35mm).



TECHNICAL INFORMATION

Category 6A/Class EA component performance:	Exceeds ANSI/TIA Category 6A and ISO Class EA performance requirements when adequately terminated to Category 6A UTP copper cable
IP compliance:	Bulkhead connection rated IP65/IP67 for dust protection and temporary liquid immersion
IEC compliance:	IEC-60603-7
FCC and ANSI compliance:	Meets ANSI/TIA-1096-A (formerly FCC Part 68)
PoE compliance:	Supports PoE, PoE+, and proposed Type 3 and 4 PoE++ applications for up to 100 W
RoHS compliance:	Compliant
Conductor termination:	Compatible with 26 AWG solid or stranded Category 6A UTP patch cable
Cable jacket diameter range:	0.220 in. - 0.250 in. (5.59mm - 6.35mm)
Cable jacket diameter range:	0.025 in. - 0.034 in. (0.64mm - 0.86mm)
Plug housing:	UL94V-0-rated clear Polycarbonate
Contacts:	Gold-plated phosphor bronze
Operating temperature:	14°F to 140°F (-10°C to 60°C)
Storage temperature:	40°F to 158°F (-40°C to 70°C)

KEY FEATURES AND BENEFITS

Patented tangle-free latch:	Prevents snags and provides easy release, saving time and giving reliability on frequent moves, adds, and changes
Robust construction:	Rated to 2500 mating cycles

APPLICATIONS

Category 6A plugs allow customers to meet performance requirements in ISO 11801 Class EA, IEEE 802.3an-2006, and ANSI/TIA-568-C.2 Category 6A Standards to support transmission at speeds up to and including 10GBASE-T. These plugs can be used in applications with data centers and connections to high-end workstations, such as stacking switches and switch-to-switch links, storage area networks, aggregation of Gigabit Ethernet channels, real-time intensive financial transactions, streaming video, animation, scientific modeling, and medical imaging.

TX6A 26 AWG UTP Modular Plug

Bulk package of 100 pcs: SP6X88SD-C

Tools and Accessories

Termination Tool: CSPT

Crimp Tool: MPT5-8AS

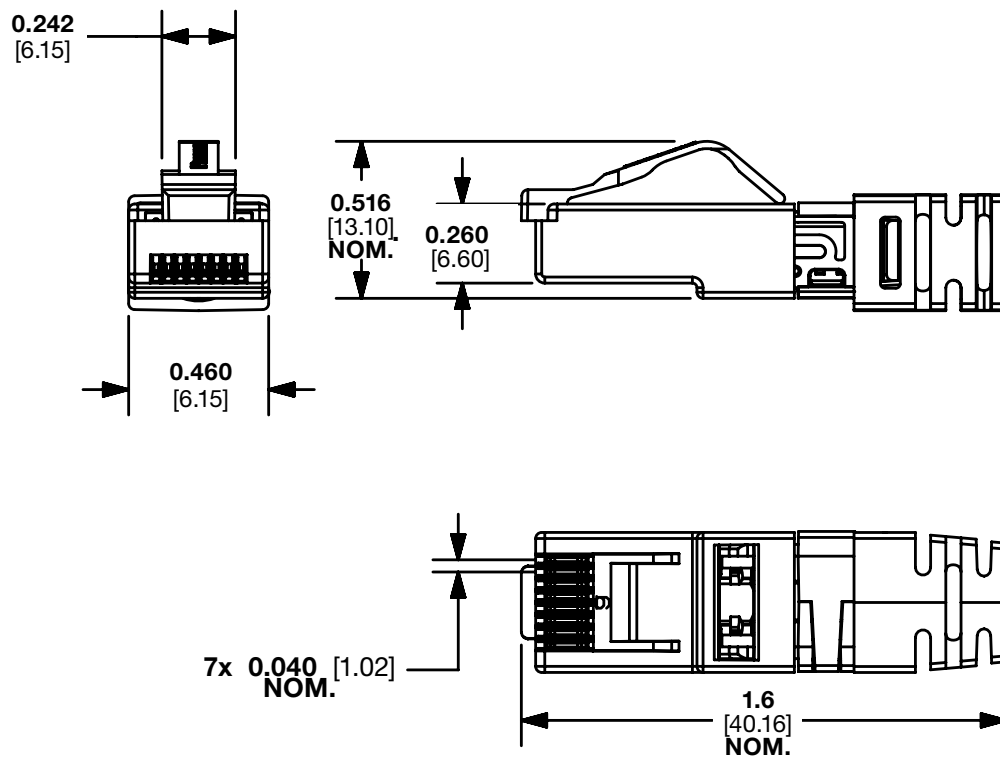
Standard RJ45 plug lock-in device (Red): PSL-DCPLE^

Recessed RJ45 plug lock-in device (Red): PSL-DCPLRE^

^Colors other than Red: -BL (Black), -BU (Blue), -GR (Green), -YL (Yellow), -OR (Orange), IW (International White), or -IG (International Gray)
-C indicates bulk packages of 100 to reduce single-use plastic

PanPlug® TX6A™ 26 AWG UTP Modular Plug for Solid/Stranded cable

ENGINEERING DRAWINGS



Dimensions are in inches. [Dimensions in brackets are metric].

WORLDWIDE SUBSIDIARIES AND SALES OFFICES

PANDUIT US/CANADA
Phone: 800.777.3300

PANDUIT EUROPE LTD.
London, UK
Phone: 44.20.8601.7200

PANDUIT SINGAPORE PTE. LTD.
Republic of Singapore
Phone: 65.6305.7575

PANDUIT JAPAN
Tokyo, Japan
Phone: 81.3.6863.6000

PANDUIT LATIN AMERICA
Guadalajara, Mexico
Phone: 52.33.3777.6000

PANDUIT AUSTRALIA PTY. LTD.
Victoria, Australia
Phone: 61.3.9794.9020

For a copy of Panduit product warranties, log on to www.panduit.com/warranty

For more information

Visit us at www.panduit.com
Contact Customer Service by email: cs@panduit.com
or by phone: 800.777.3300

PANDUIT®

© 2023 Panduit Corp.
ALL RIGHTS RESERVED.
COSP356-WW-ENG
10/2023