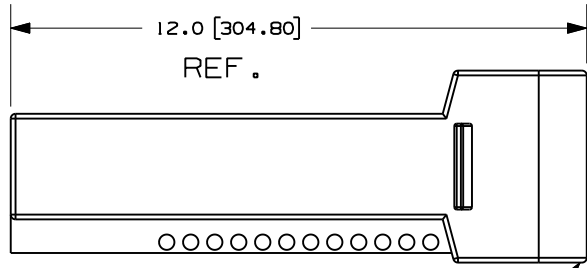
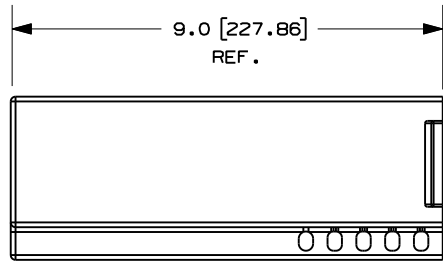


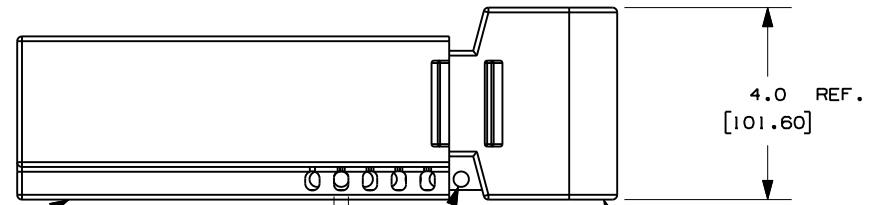
THIS COPY IS PROVIDED ON A RESTRICTED BASIS AND IS NOT TO BE USED IN ANY WAY DETRIMENTAL TO THE INTERESTS OF PANDUIT CORP.



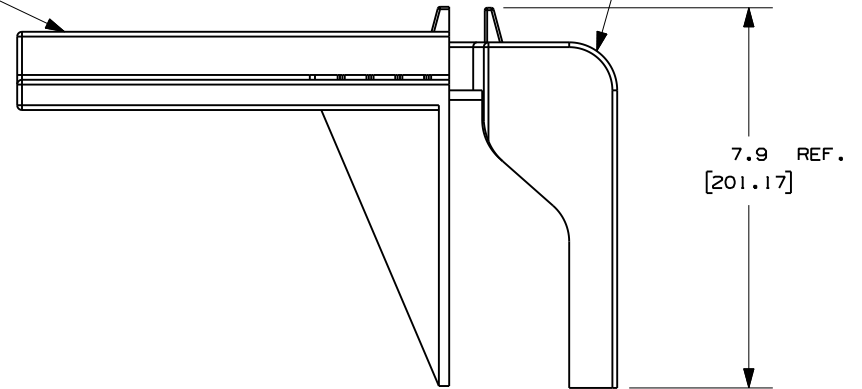
VALVE HANDLE COVER



LOCKOUT SLIDING PIECE



VALVE HANDLE COVER



NOTES:

1. MILLIMETERS ARE SHOWN IN [ ]
2. WILL ACCOMODATE VALVE HANDLES WIDTHS UP TO 1.75"
3. NO LIMIT ON HANDLE LENGTH
4. OPERATING TEMPERATURE -40° F [ -40° C ] TO 215° F [ 120° C ]

CAD FILENAME/LAYERS 100923A0\_DC\_C10825/00B

PANDUIT CORP. TINLEY PARK, ILLINOIS

PSL - BV3 CUSTOMER DRAWING

UNLESS OTHERWISE SPECIFIED, DIMENSIONAL TOLERANCES ARE:  
 (.X) ± .1 (.XXX) ± .03  
 (.XX) ± .05 ANGLES ± 5°

UNLESS OTHERWISE SPECIFIED, ALL DIMENSIONS ARE GIVEN IN INCHES, THIRD ANGLE PROJECTION.

REV	DATE	BY	CHK	DESCRIPTION	ECN	R	CUST	SUP
1	12/13/10	JHAC		ADDED NOTES	6256			
0	4/13/10	JHAC		DRAWING RELEASE	6019			

DRAWN BY JHAC	MAT'L: RED POLYPROPYLENE	SCALE 1 : 4
DATE 04/13/10	CHK'D <i>[Signature]</i>	DRAWING NO. C10825
		DWG A SIZE