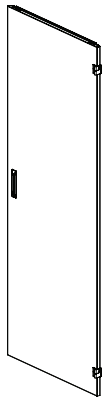
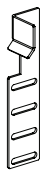


Rear of Cabinet

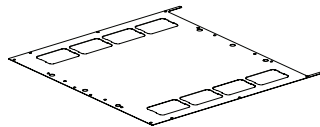
Components Included



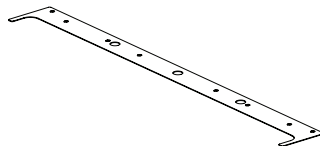
Solid Single Hinge Door
Qty: 01



Door Bottom Catch
Qty: 01



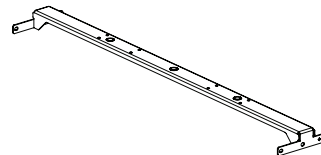
Top Cap
Qty: 01



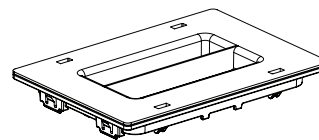
Top Cap Rear Plate
Qty: 01



Door Top Catch
Qty: 01



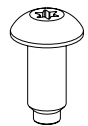
Spanner Support
Qty: 01



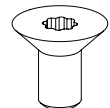
Top Cover Bezel
Qty: 08



Door Catch
Qty: 01



M5x12mm Screw
5.1 ± 0.6 N-m [45 ± 5 in-lbs]
Qty: 28



M6x12mm Screw
7.3 ± 0.6 N-m [65 ± 5 in-lbs]
Qty: 04



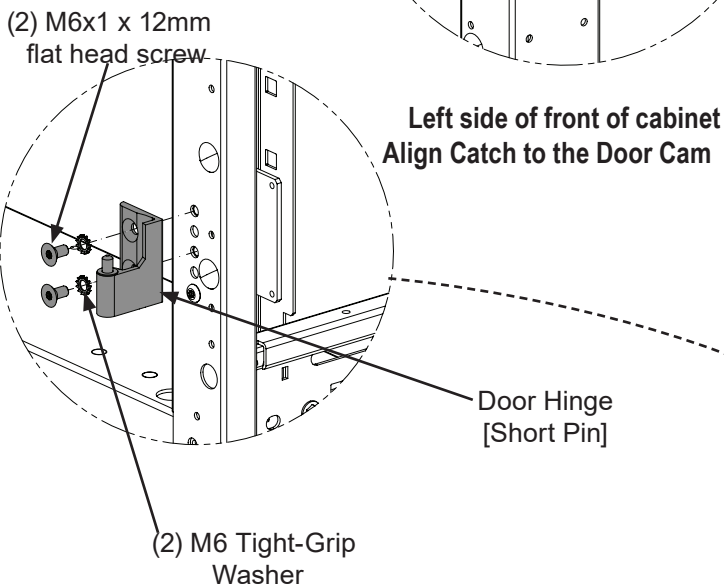
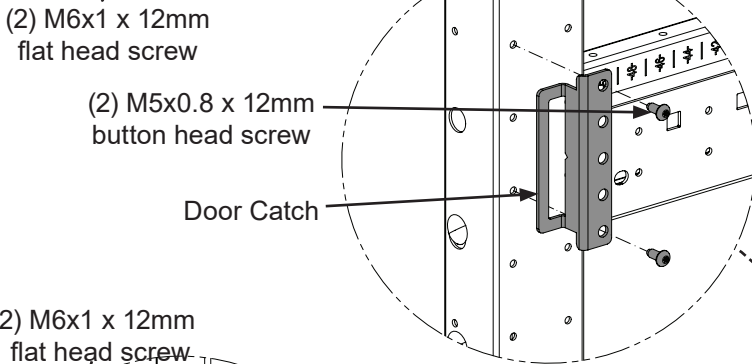
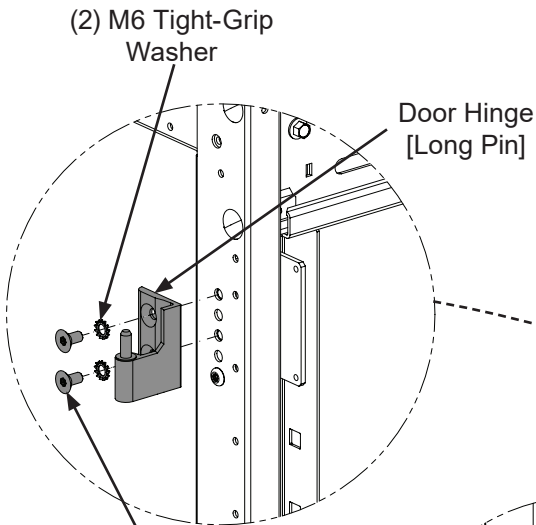
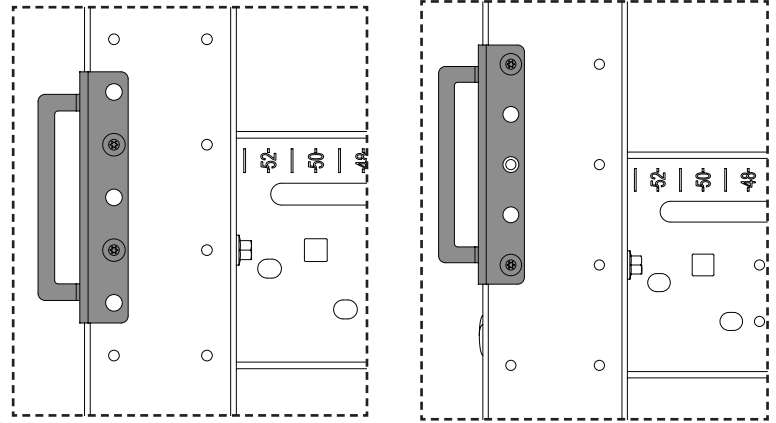
M6 Tight-Grip Washer
Qty: 04

Install Hinges & Door Catch to rear of frame

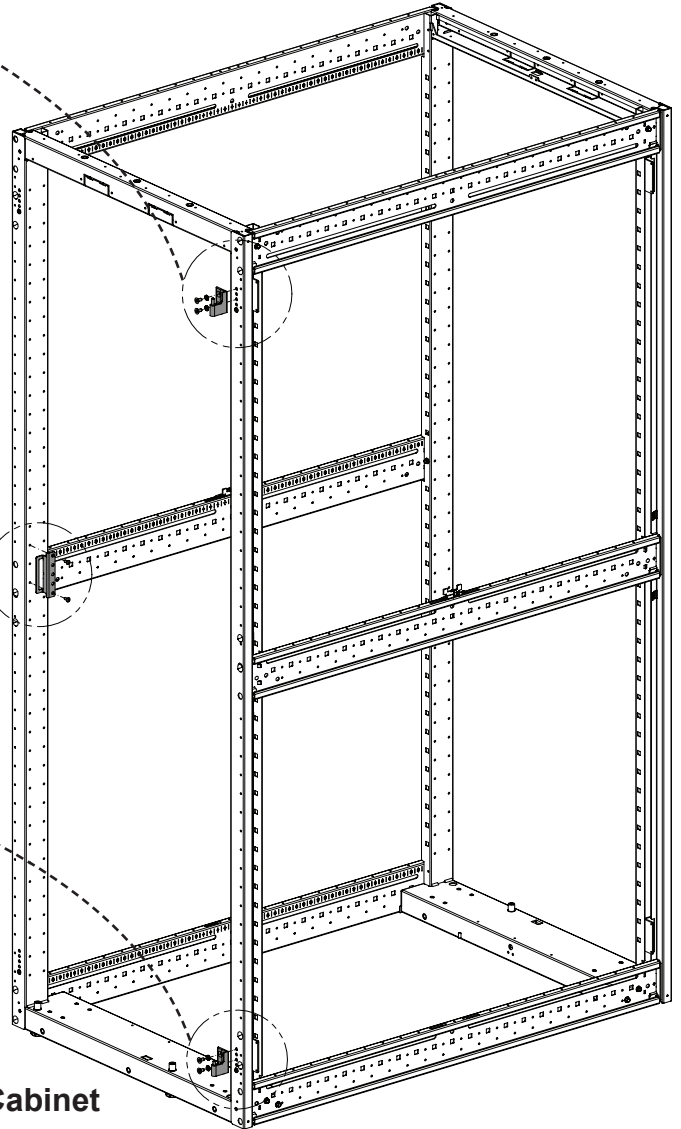
- Install (2) Hinges with (2) M6 screws, (2) M6 Tight-Grip Washers to the cabinet frame. Secure to the 1st & 3rd holes from the top of hole array as shown.
- Install Door catch using (2) M5 x 0.8 x 12mm button head screws.
- Position Door Catch to inner left side of cabinet vertical frame. Mounting locations vary depending on cabinet height. See images below.

Door Catch & screw locations for 48RU

Door Catch & screw locations for 45RU



Right side of rear of cabinet
(1) top Hinge & (1) bottom hinge



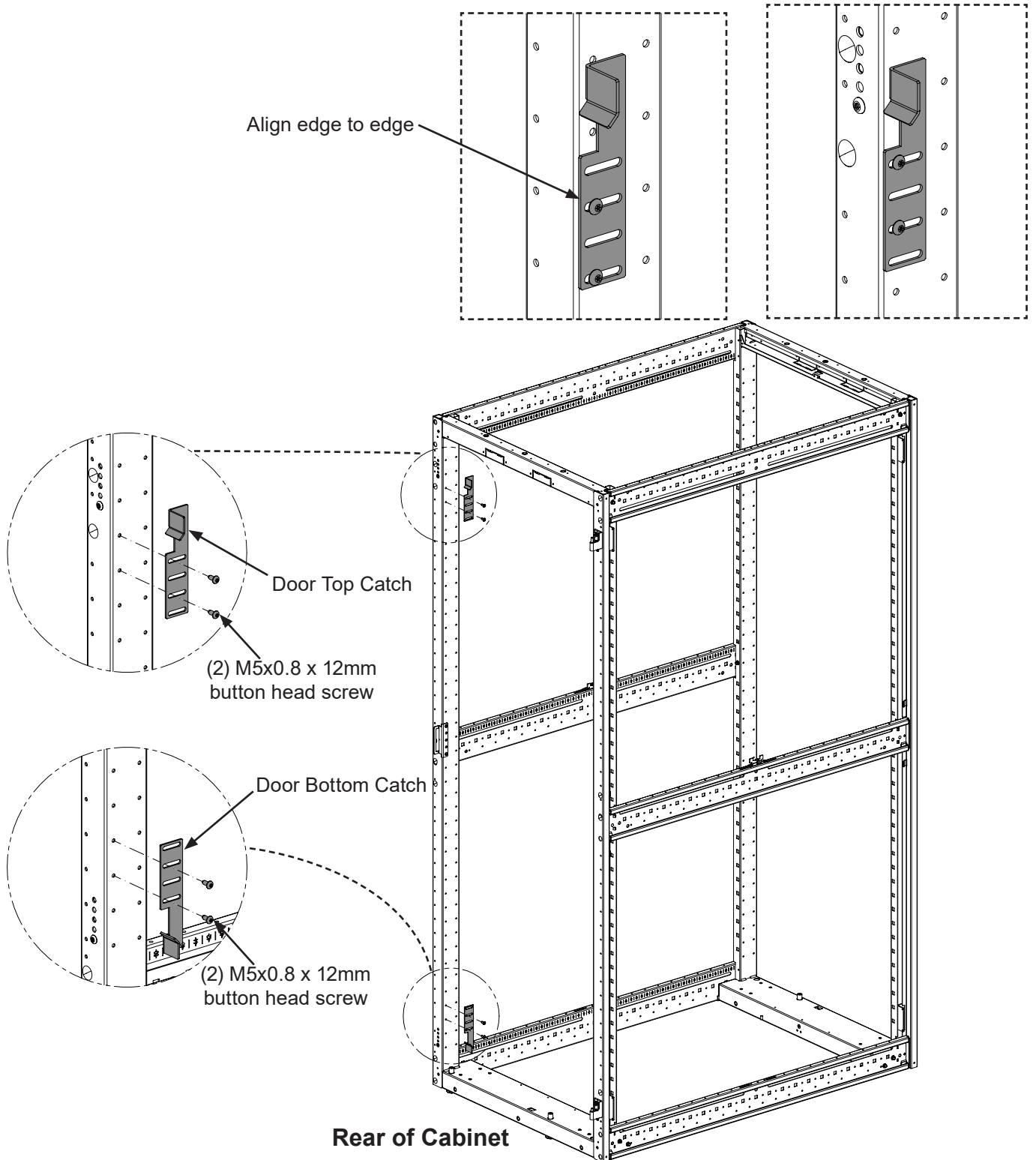
Rear of Cabinet

Install Door Catch to frame

- Align Door Top Catch edge to cabinet post front edge
- Install Door Top catch using (2) M5 x 0.8 x 12mm button head screws.
- Align Door Bottom Catch edge to cabinet post front edge
- Install Door Bottom catch using (2) M5 x 0.8 x 12mm button head screws.
- Position Door Catch to inner left side of cabinet vertical frame. Mounting locations vary depending on cabinet height. See images below.

Door Catch & screw locations for 48RU

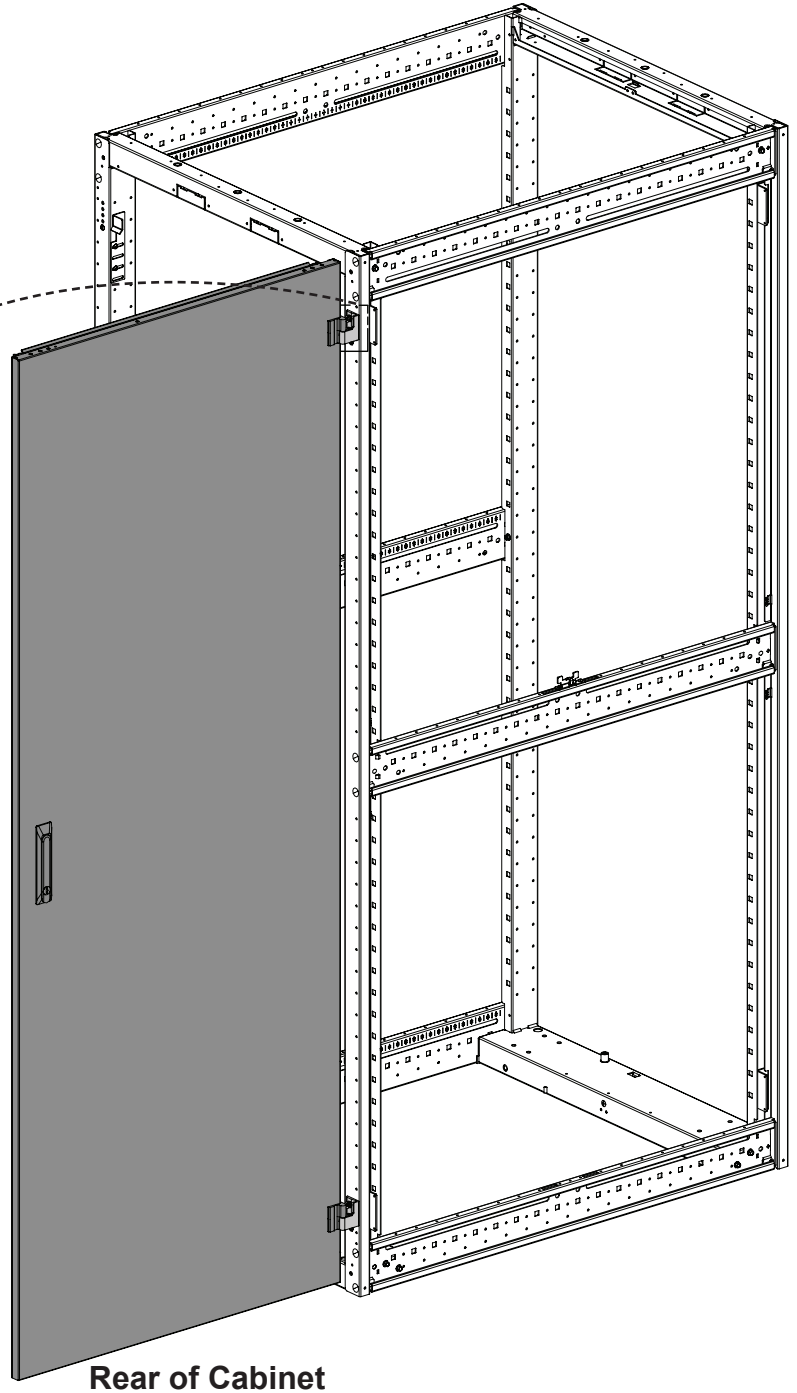
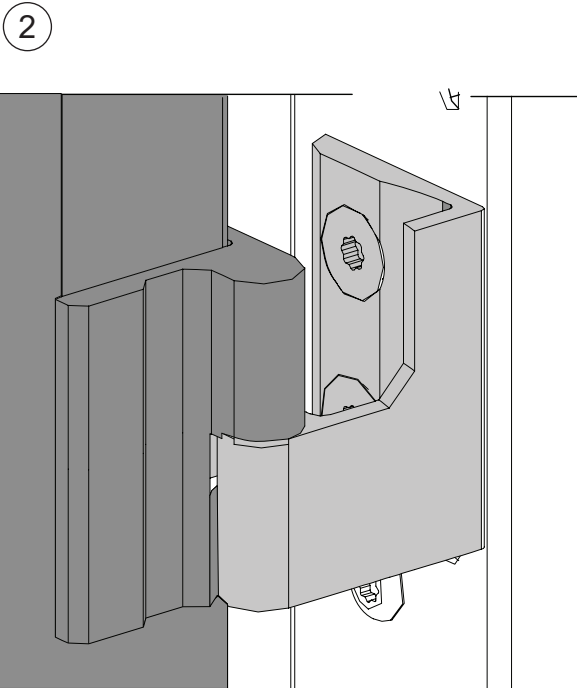
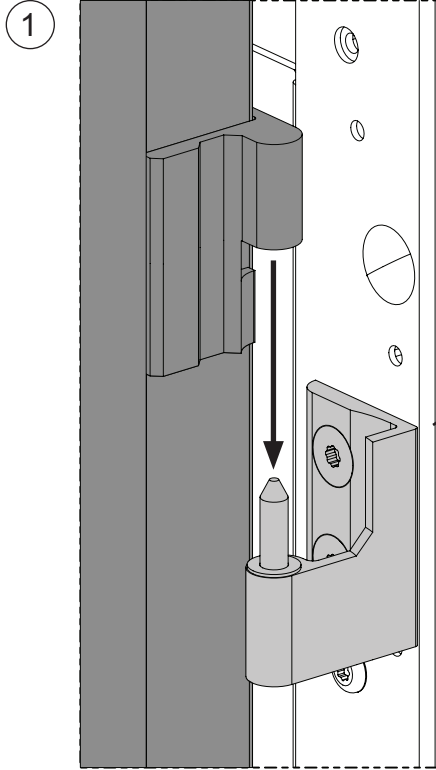
Door Catch & screw locations for 45RU



For Technical Support: www.panduit.com

Solid Single Hinge Door Installation

- Position Door at approximately 90° to cabinet.
- Place Door onto hinges, aligning top hinge pin first.

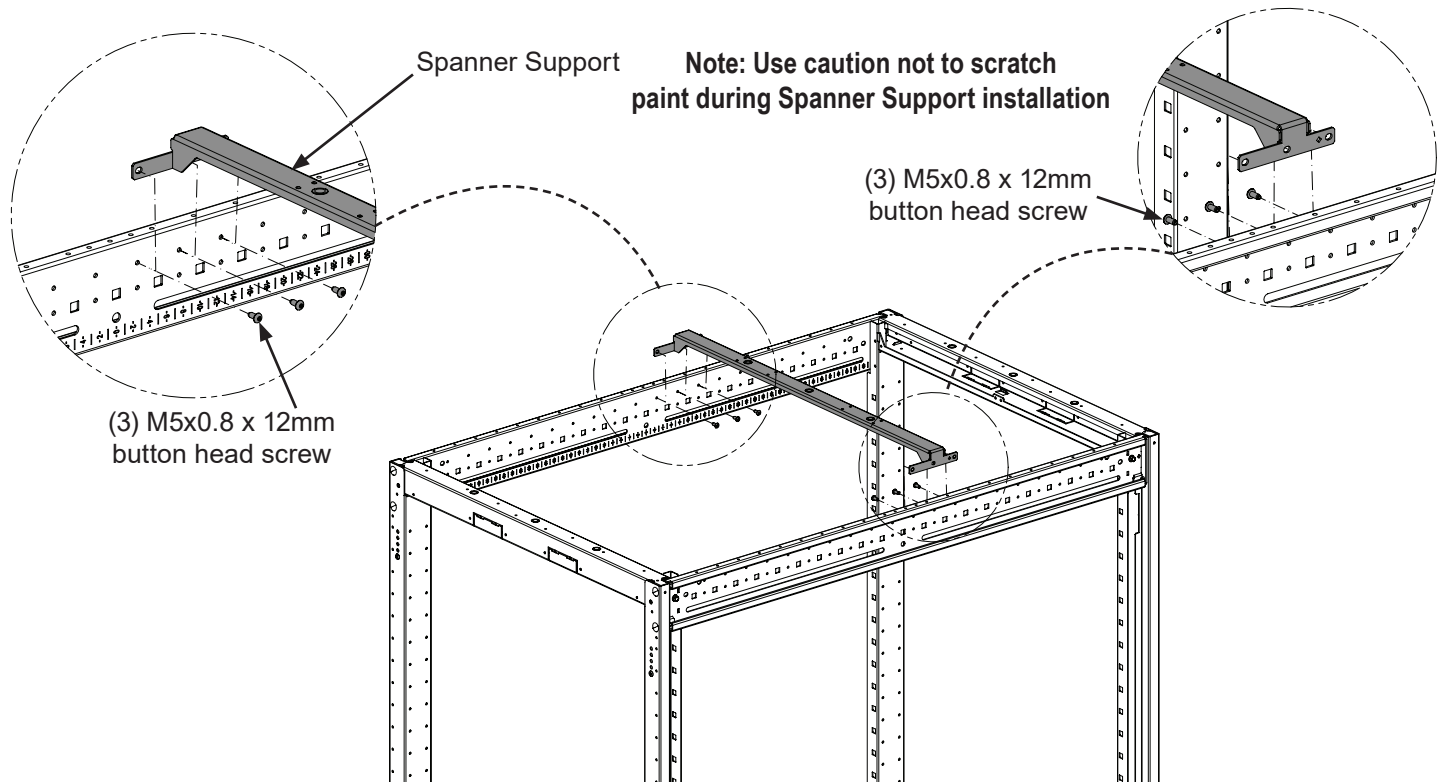
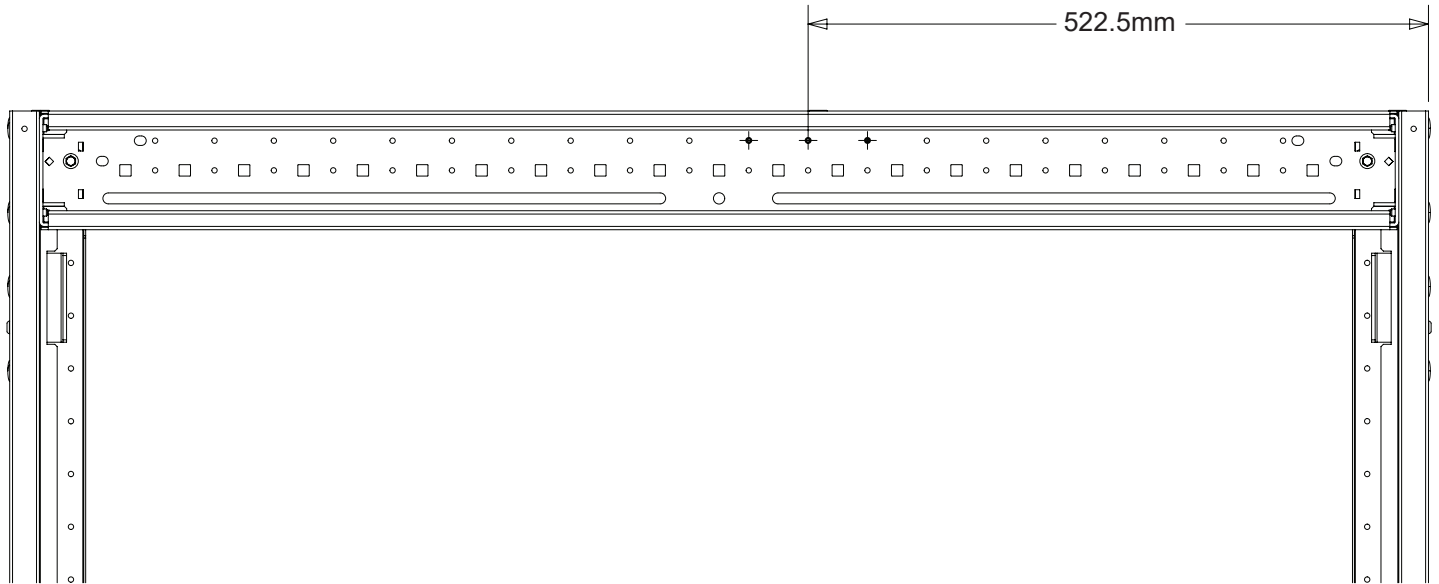


Install Spanner Support to frame

- Locate Spanner Support from rear end of frame.
- Install Spanner Support using (6) M5 x 0.8 x 12mm button head screws.

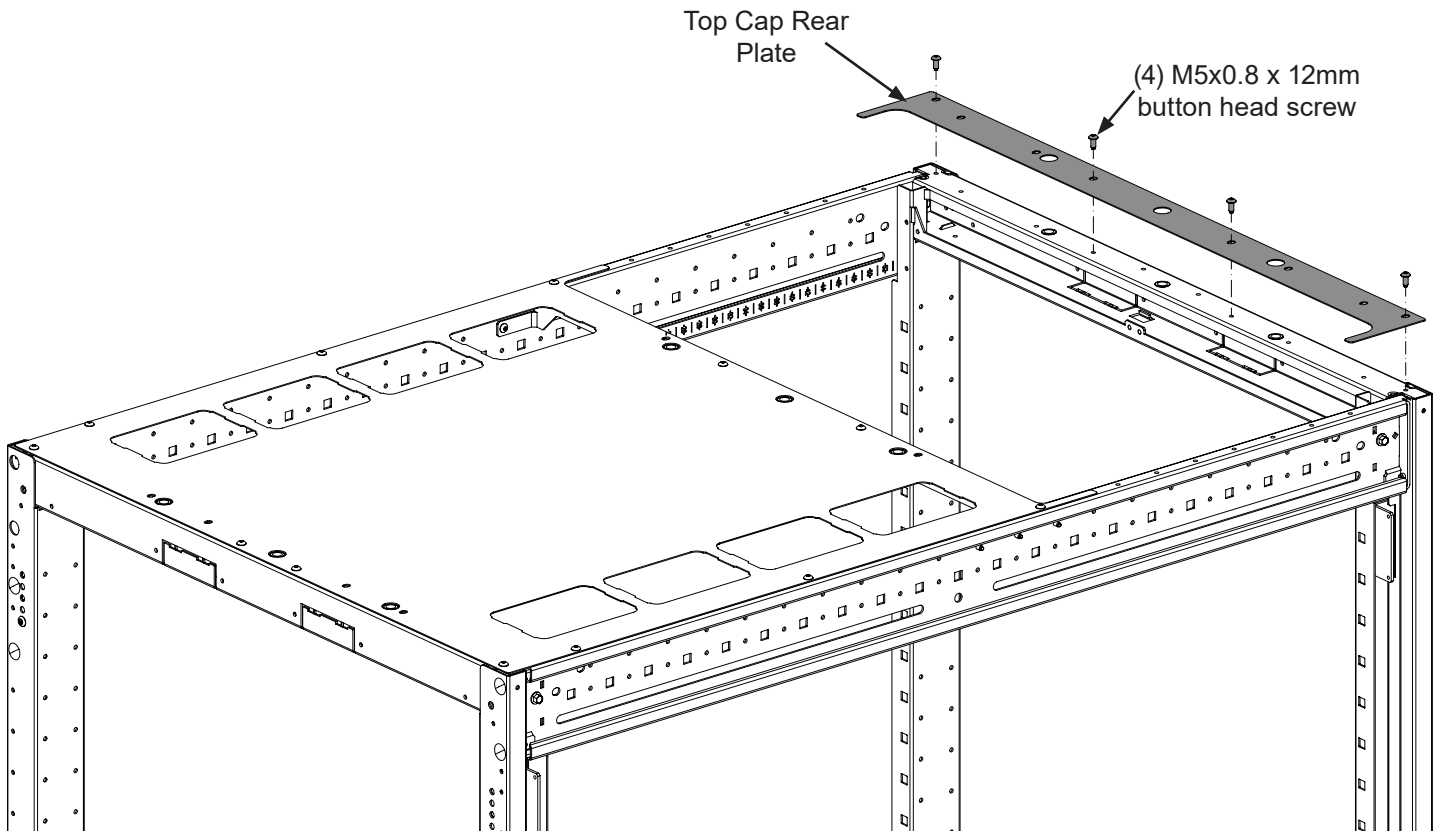
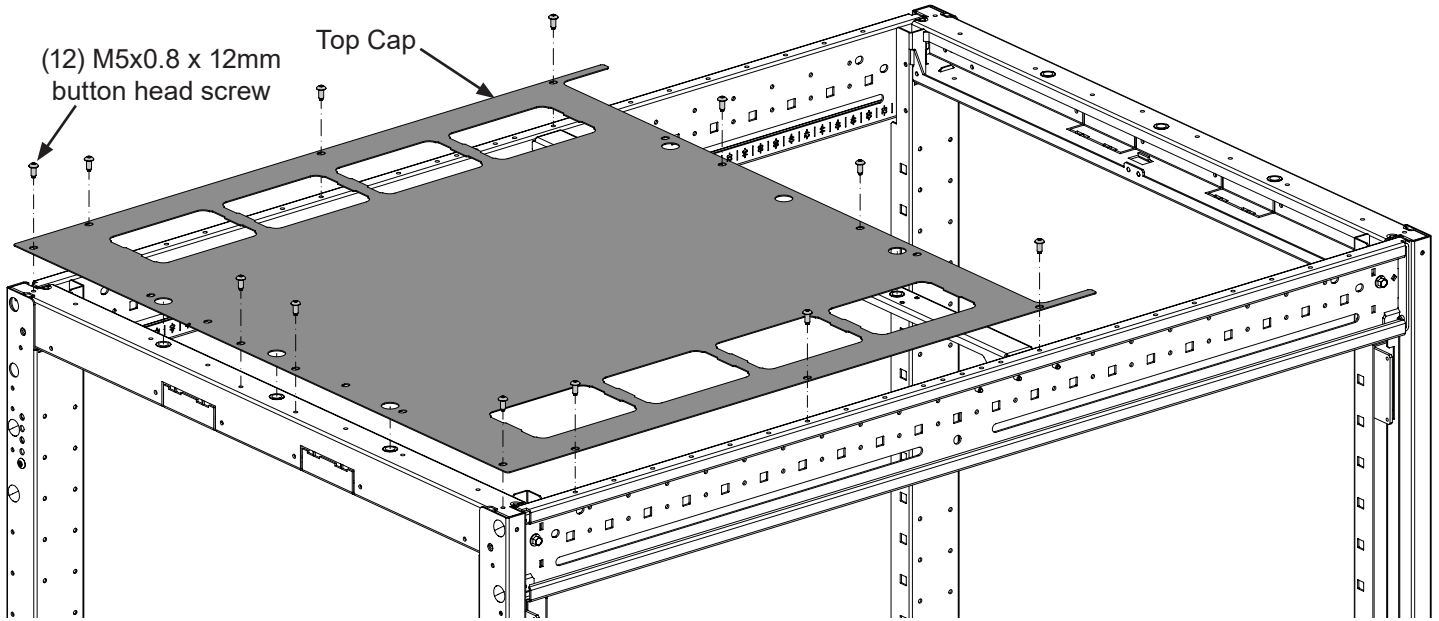
Front of Cabinet

Rear of Cabinet



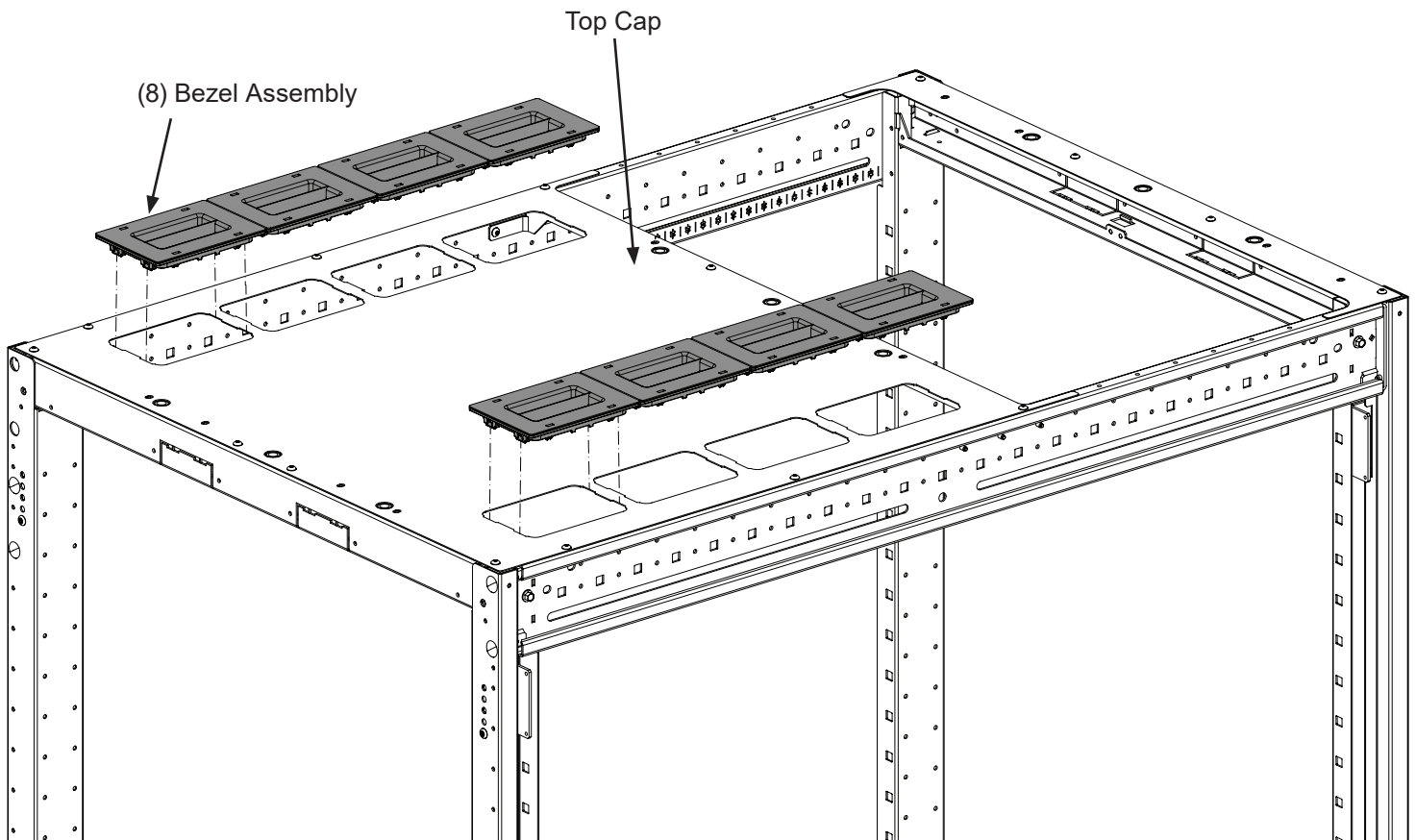
Install Top Cap & Top Cap Rear Plate to frame

- Install Top Cap using (12) M5 x 0.8 x 12mm button head screws.
- Install Top Cap Rear Plate using (4) M5 x 0.8 x 12mm button head screws.



Install Bezels to Top Cap

- Install (8) Bezels to Top Cap.
- Reference CTCN3X5 Installation at panduit.com.



For Instructions in Local Languages
and Technical Support:

www.panduit.com

PANDUIT
www.panduit.com

E-mail:
techsupport@panduit.com

Phone:
866-405-6654