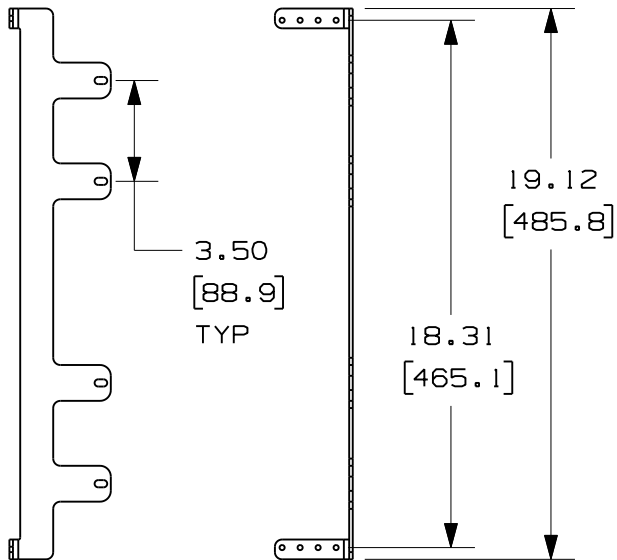
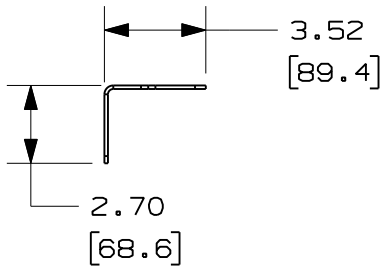
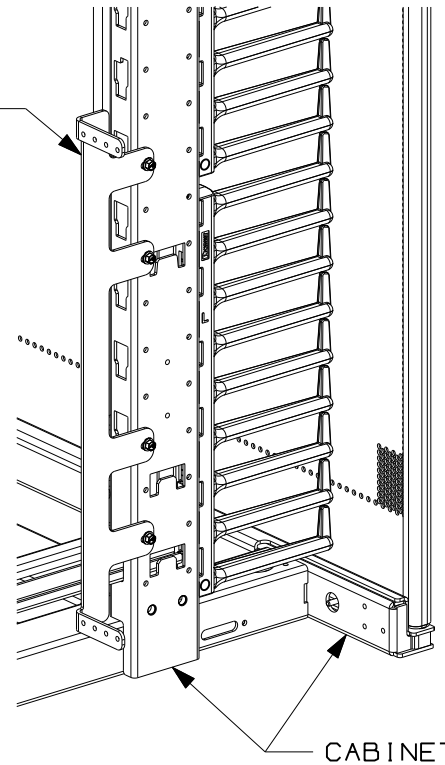


THIS COPY IS PROVIDED ON A RESTRICTED BASIS AND IS NOT TO BE USED IN ANY WAY DETRIMENTAL TO THE INTERESTS OF PANDUIT CORP.



CVPPB



APPLICATION VIEW -  
CABINET NOT INCLUDED

PANDUIT P/N	WEIGHT
CVPPB	1.26 LBS/EACH 0.57 Kg/EACH

NOTES:

- VISIT OUR ON-LINE CATALOG AT [WWW.PANDUIT.COM](http://WWW.PANDUIT.COM) FOR A LIST OF CURRENT PARTS APPLICABLE FOR USE WITH THIS PRODUCT.
- DIMENSIONS IN PARENTHESES ARE METRIC (mm).
- PARTS SUPPLIED:  
(1)- CABINET ACCESSORY BRACKET  
(1)- HARDWARE KIT:  
(4)- #12-24 TRILOBULAR SCREWS  
(1)- INSTRUCTION SHEET
- ALLOWS VERTICAL MOUNTING OF 1RU EIA 19" COPPER AND FIBER PATCH PANELS.
- MOUNTS TO SIDE OF CABINET POSTS.
- USE FOUR (4) BRACKETS TO PROVIDE 45RU VERTICAL MOUNTING CAPABILITY.

MODEL FILENAME V10502ZJ\_CAB\_ACCESSORY\_BRKT\_FG\_00.PRT

CAD FILENAME/LAYERS V10502ZJ\_DC\_00A.PRT

PANDUIT CORP. TINLEY PARK, ILLINOIS

CABINET ACCESSORY BRACKET (CVPPB)  
CUSTOMER DRAWING

UNLESS OTHERWISE SPECIFIED, DIMENSIONAL TOLERANCES ARE:  
 INCHES X.X +/- 0.06 X.XX +/- 0.03 X.XXX +/- 0.015  
 [METRIC - MILLIMETER] X.X +/- 1.5 X.X +/- 0.8 X.XX +/- 0.4  
 ANGLE +/- 1°

UNLESS OTHERWISE SPECIFIED,  
ALL DIMENSIONS ARE GIVEN  
IN INCHES, THIRD ANGLE PROJECTION.

DRAWN BY LEE

MAT'L:

SCALE NONE

DATE 7-24-07

SEE NOTES

DRAWING NO.

10502-57

DWG  
A  
SIZE

REV	DATE	BY	CHK	DESCRIPTION	ECN	R	CUST	SUP	OTH
00	7-24-07	LEE		RELEASED TO PRODUCTION	10502-57				